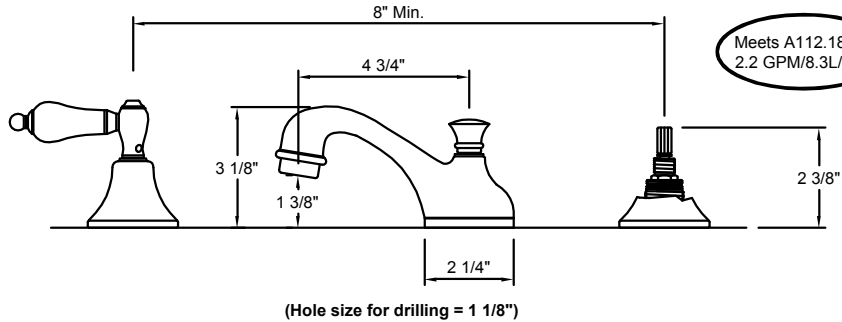


20 Series Specifications

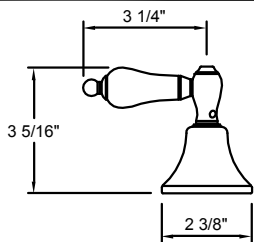


All California Faucets lever and blade handle products are American Disability Act (ADA) compliant.

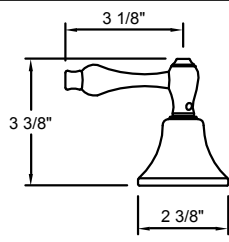
California Faucets reserves the right to make modification and specification changes at any time. Please verify dimensions prior to installation. Visit www.calfaucets.com for most current technical data.



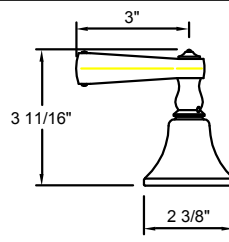
2002
 ◦ Wide Spread



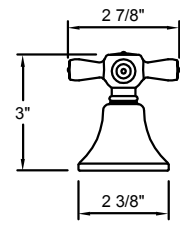
PORCELAIN LEVER



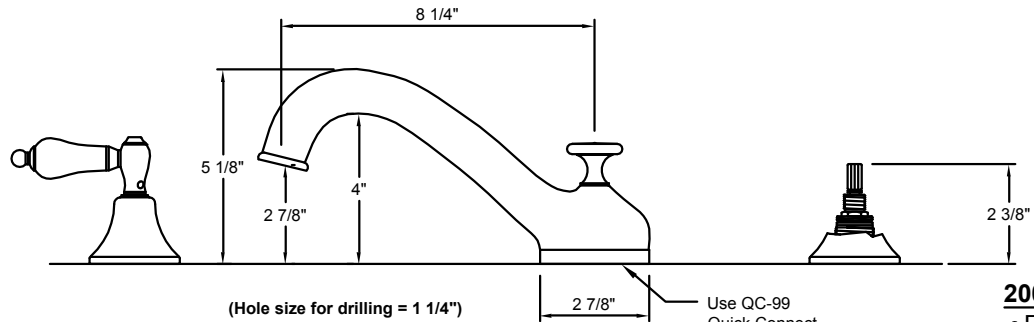
METAL LEVER



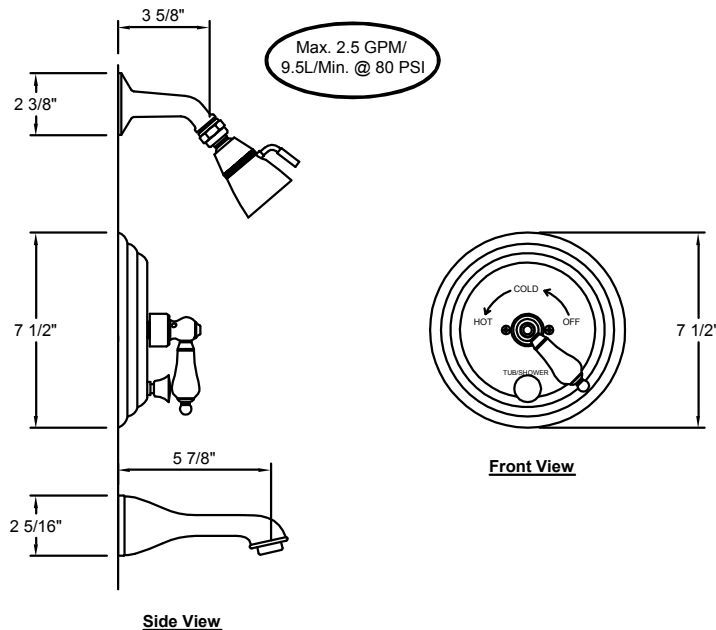
SMOOTH SCROLL



METAL CROSS



2008
 ◦ Roman Tub Set



20-PBS / 20-PBTS

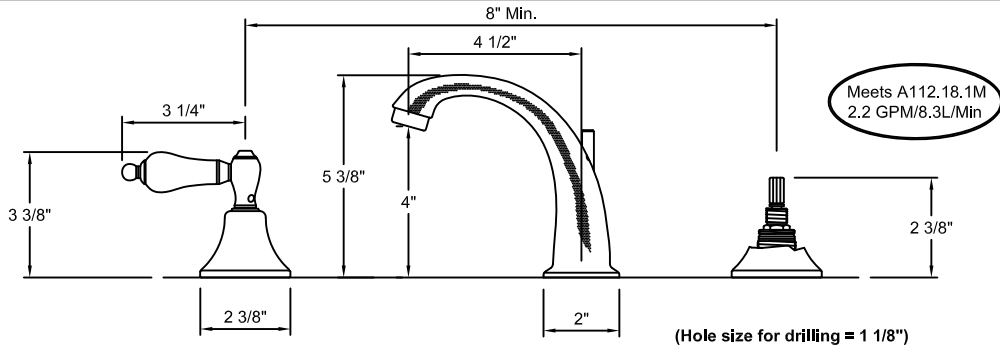
- Pressure Balance Shower
- Pressure Balance Tub/Shower

21 Series Specifications

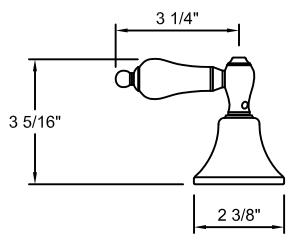


All California Faucets lever and blade handle products are American Disability Act (ADA) compliant.

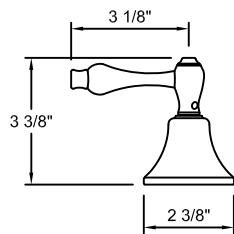
California Faucets reserves the right to make modification and specification changes at any time. Please verify dimensions prior to installation. Visit www.calfaucets.com for most current technical data.



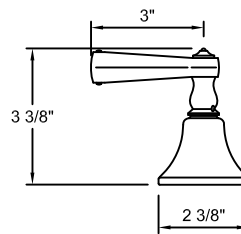
2102
 ◦ Wide Spread



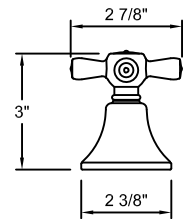
PORCELAIN LEVER



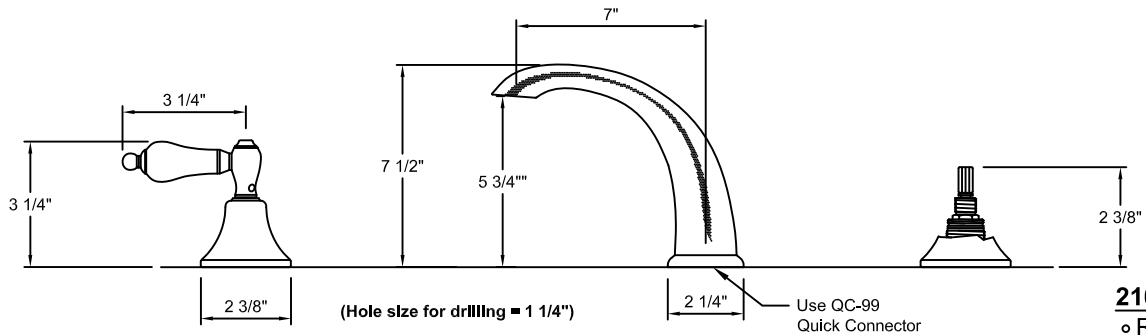
METAL LEVER



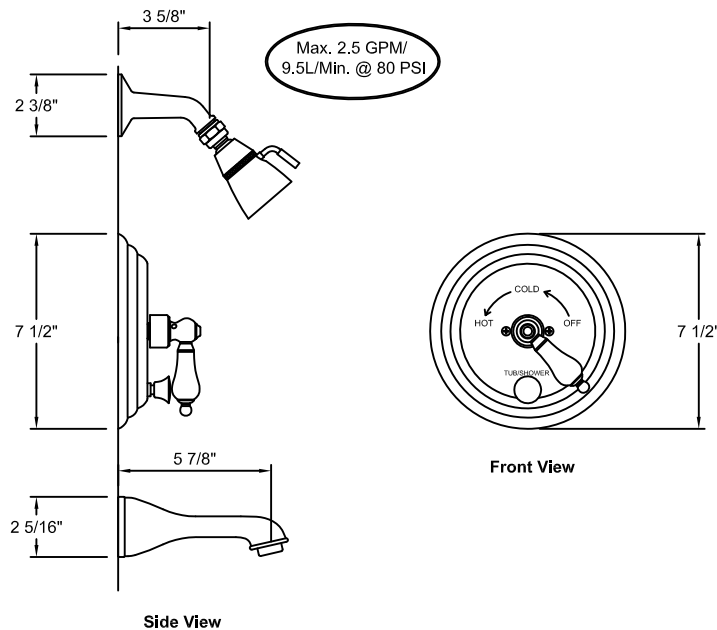
SMOOTH SCROLL



METAL CROSS



2108
 ◦ Roman Tub Set



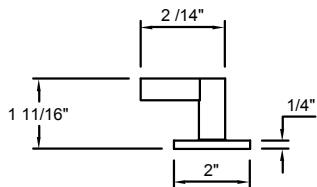
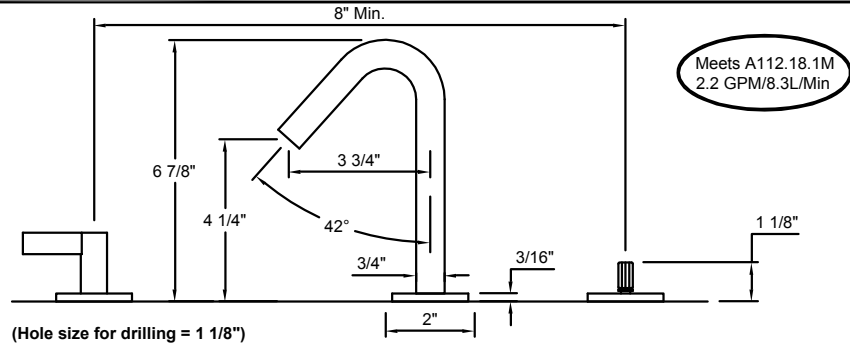
20-PBS / 20-PBTS
 ◦ Pressure Balance Shower
 ◦ Pressure Balance Tub/Shower

22 Series Specifications

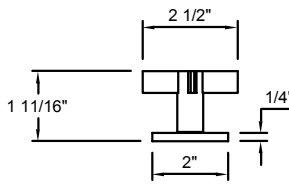


All California Faucets lever and blade handle products are American Disability Act (ADA) compliant.

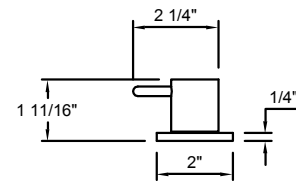
California Faucets reserves the right to make modification and specification changes at any time. Please verify dimensions prior to installation. Visit www.calfaucets.com for most current technical data.



METAL LEVER



METAL CROSS



METAL CYLINDER

