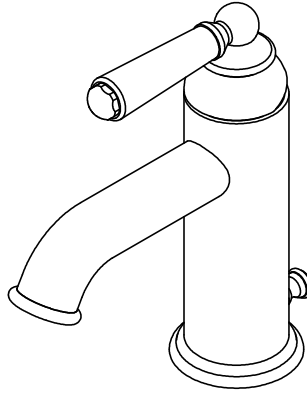




Features

- Over 30 finishes including 11 PVD finishes
- All brass construction
- Single handle operation cartridge with ceramic disc
- Flexible connections for easy installation
- 4-9/16" spout reach
- Flush mount aerator insert
- Maximum flow rate: 1.5 gpm (5.7 L/m)
- See www.calfaucets.com for complete series selection

CF-3301-1

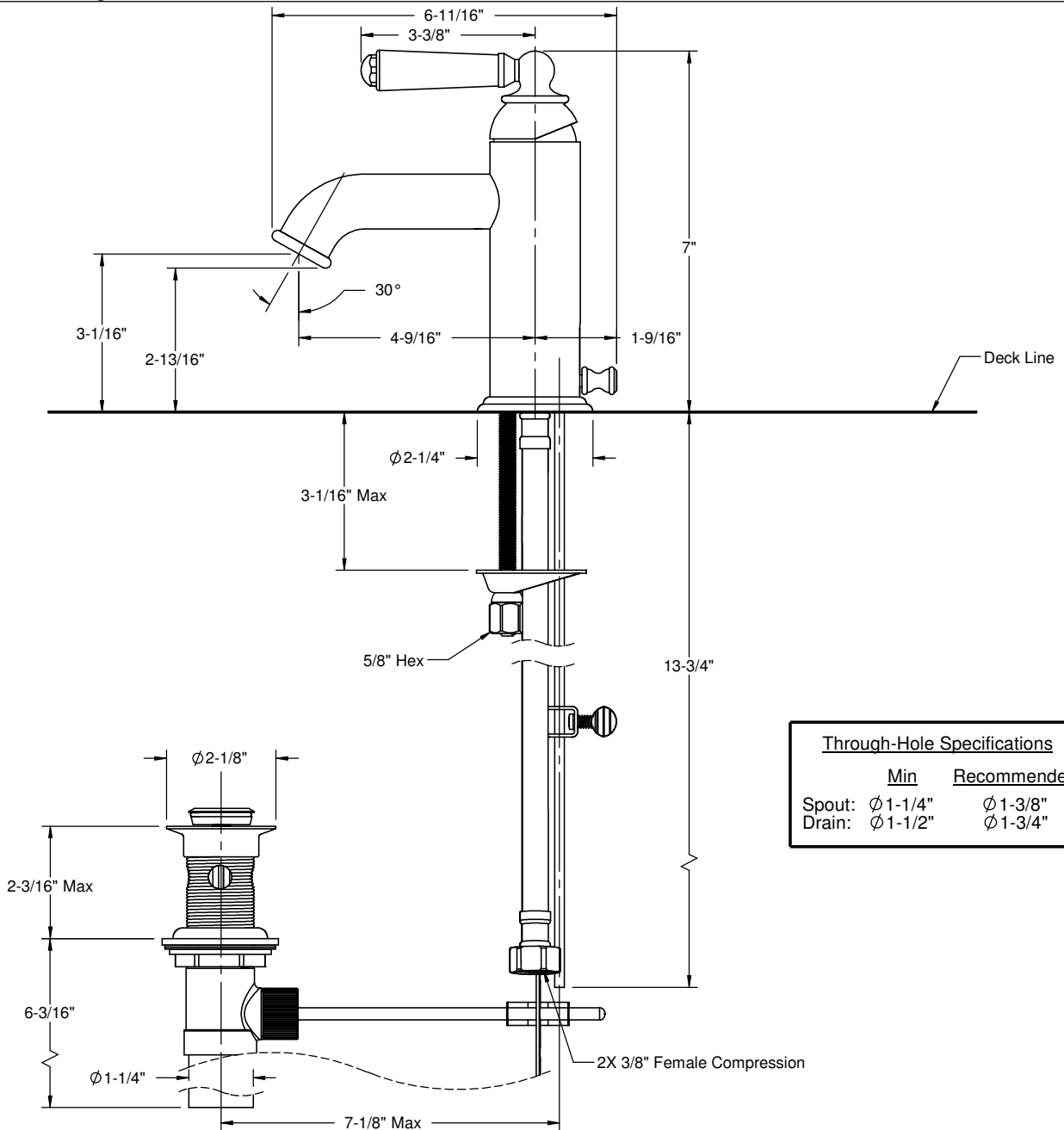


Codes/Standards Applicable

Specified model meets or exceeds the following:

- ASME A112.18.1-2005/CSA B125.1-05
- NSF 61
- ADA
- CA & VT Lead Plumbing Law

CF-3301-1-HXX (XX = Optional Series Handle)

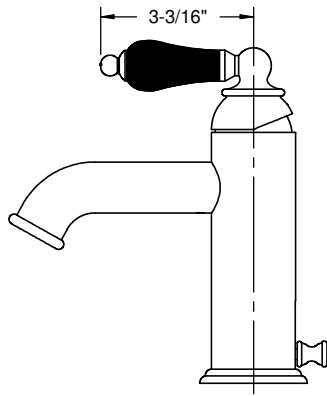
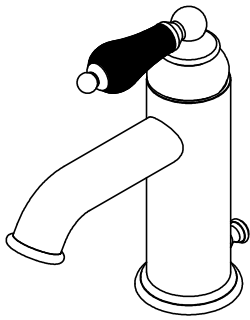


Through-Hole Specifications		
	Min	Recommended
Spout:	Ø 1-1/4"	Ø 1-3/8"
Drain:	Ø 1-1/2"	Ø 1-3/4"

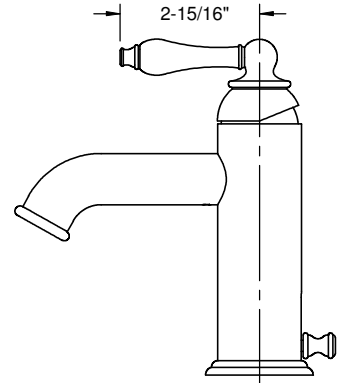
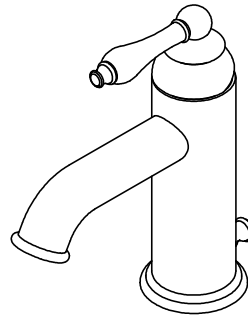
Dimensions Shown to Nearest 1/16"



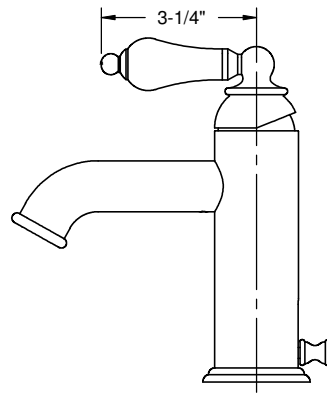
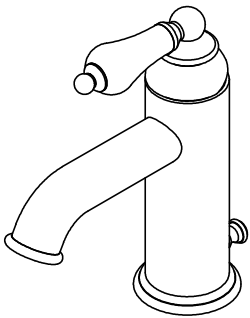
CF-3301-1-H40



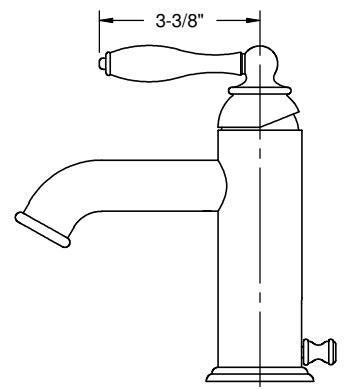
CF-3301-1-H42



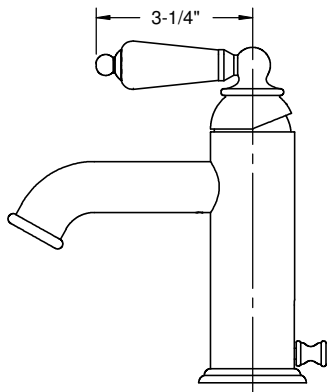
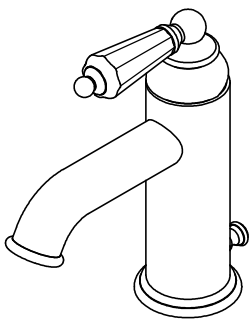
CF-3301-1-H55



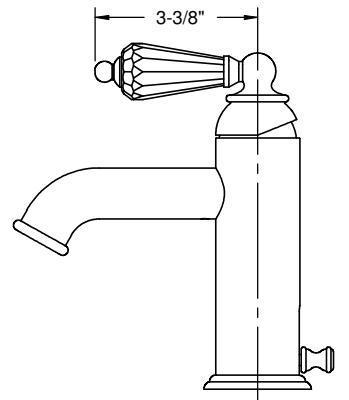
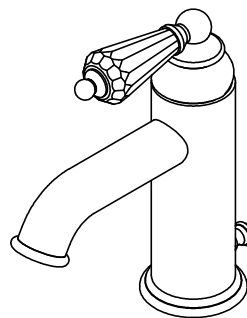
CF-3301-1-H64



CF-3301-1-H68



CF-3301-1-CLEV



Dimensions Shown to Nearest 1/16"



California Faucets®

Topanga™

Single Hole Lav/Vessel/Bar Faucet

Features

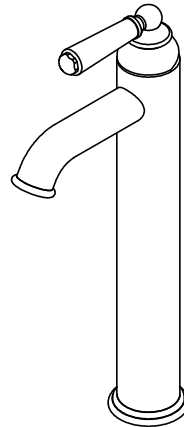
- Over 30 finishes including 11 PVD finishes
- All brass construction
- Single handle operation cartridge with ceramic disc
- Flexible connections for easy installation
- 4-9/16" spout reach
- Flush mount aerator insert
- Maximum flow rate: 1.5 gpm (5.7 L/m)
- See www.calfaucets.com for complete series selection

Codes/Standards Applicable

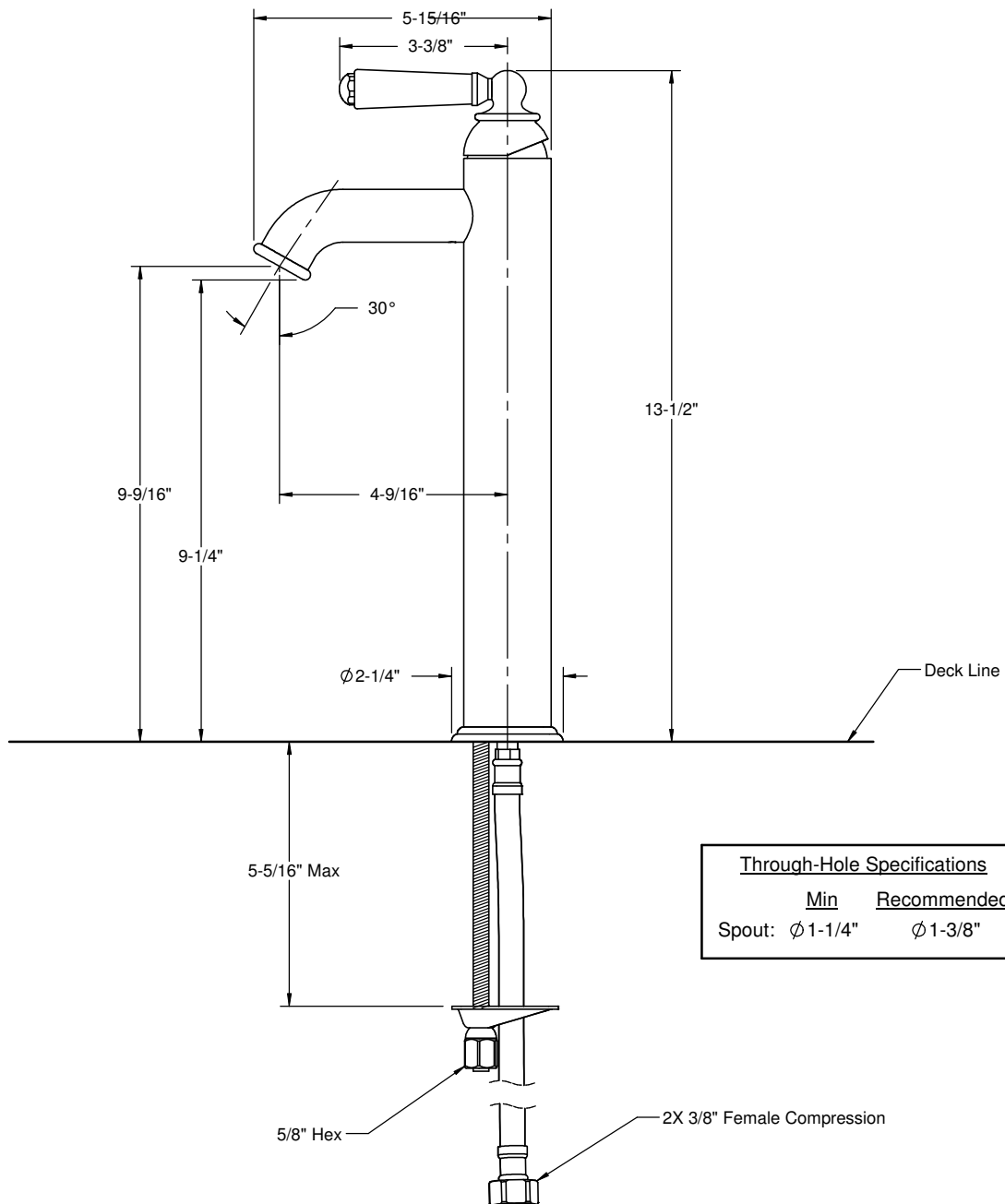
Specified model meets or exceeds the following:

- ASME A112.18.1-2005/CSA B125.1-05
- NSF 61
- ADA
- CA & VT Lead Plumbing Law

CF-3301-2



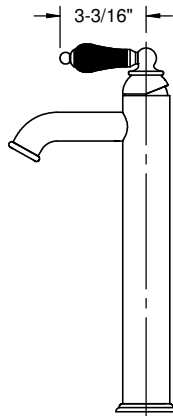
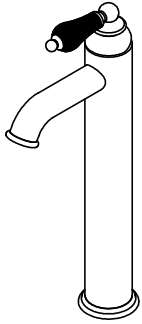
CF-3301-2-HXX (XX = Optional Series Handle)



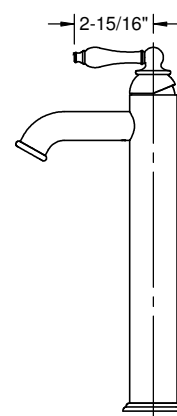
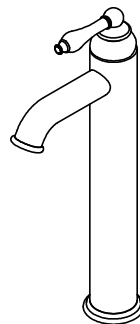
Dimensions Shown to Nearest 1/16"



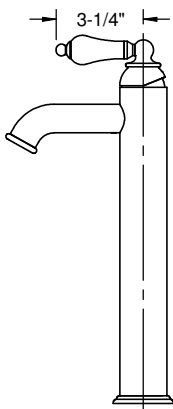
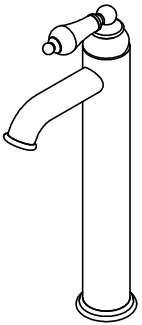
CF-3301-2-H40



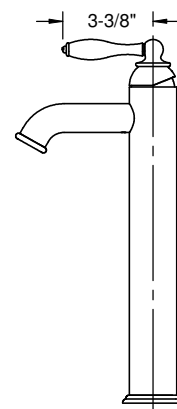
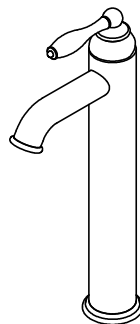
CF-3301-2-H42



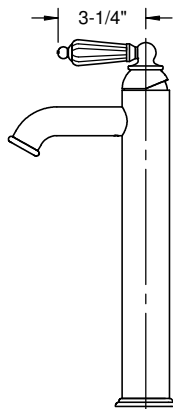
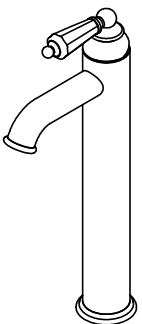
CF-3301-2-H55



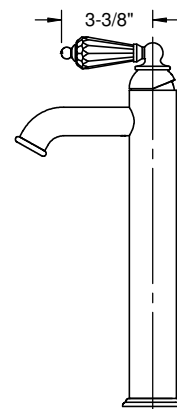
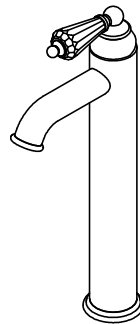
CF-3301-2-H64



CF-3301-2-H68



CF-3301-2-CLEV



Dimensions Shown to Nearest 1/16"



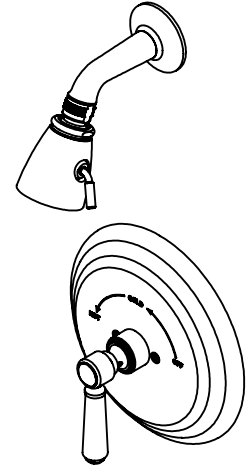
California Faucets

HcdUb[U

' ' !D6 G'DfYggi fY6 UUbW'G! ck Yf

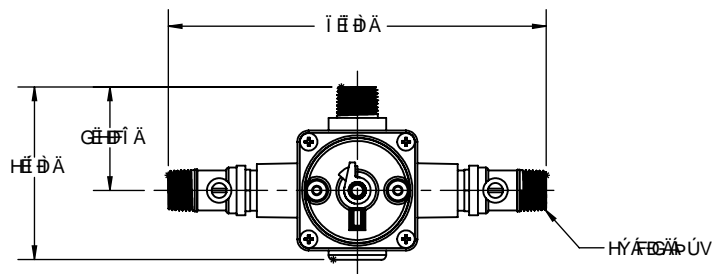
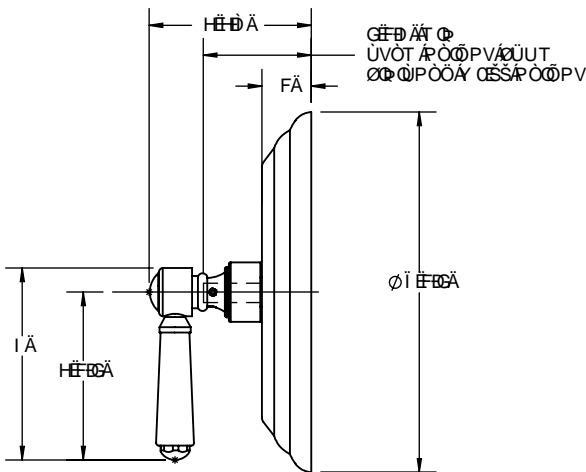
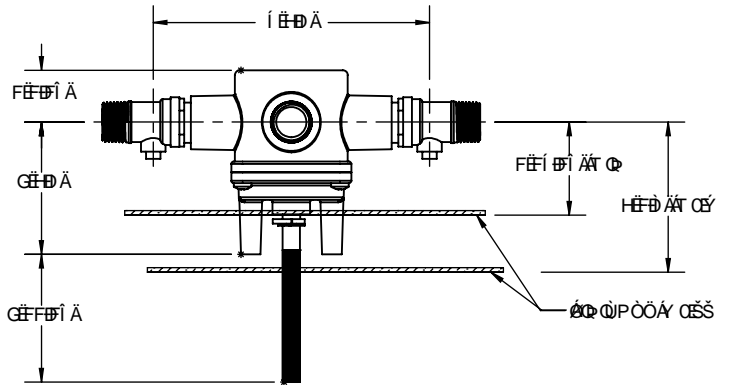
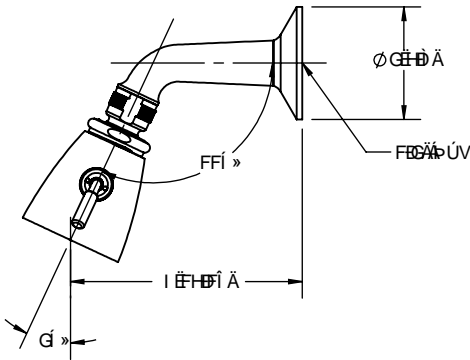
: YUi fYg

Technical specifications and notes in a non-standard font, including dimensions and material references.



7 cXyG#GhUbXUfXg'5 dd'JWU'Y

Technical specifications and notes in a non-standard font, including dimensions and material references.



CESSÖÖQ ÖPÜW PÜÄPUY PÁUÁ ÖÖÜÖUVÁFBI Ä