

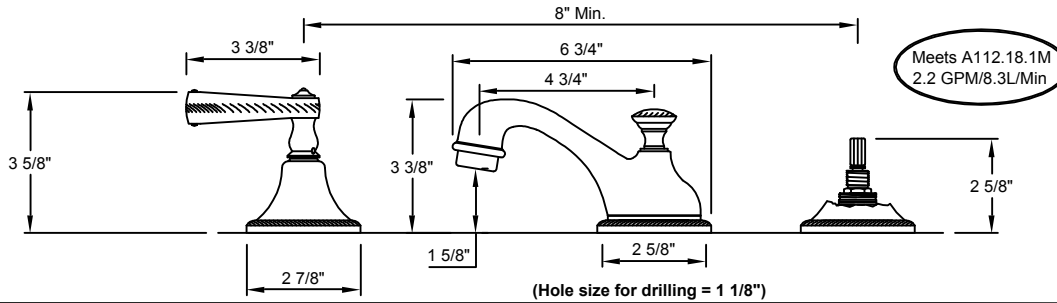
# 38 Series Specifications

## "LA JOLLA"

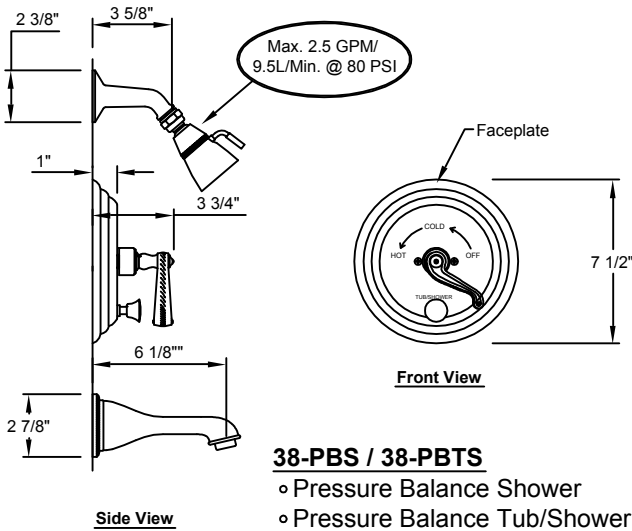


All California Faucets lever and blade handle products are American Disability Act (ADA) compliant.

California Faucets reserves the right to make modification and specification changes at any time. Please verify dimensions prior to installation. Visit [www.calfaucets.com](http://www.calfaucets.com) for most current technical data.

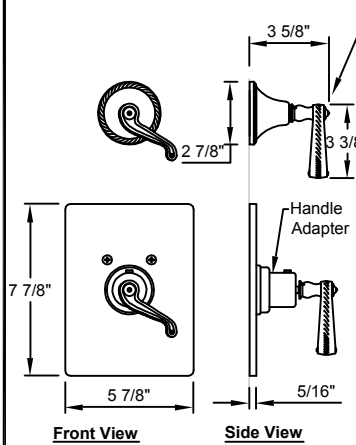


**3802**  
 ◦ Widespread



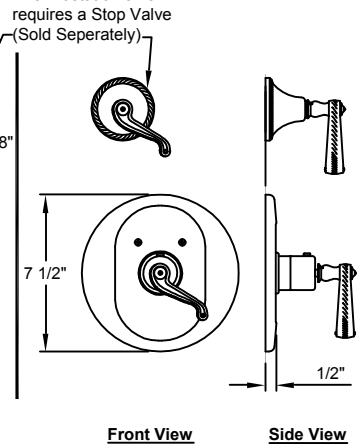
**38-PBS / 38-PBTS**  
 ◦ Pressure Balance Shower  
 ◦ Pressure Balance Tub/Shower

### Rectangular Plate

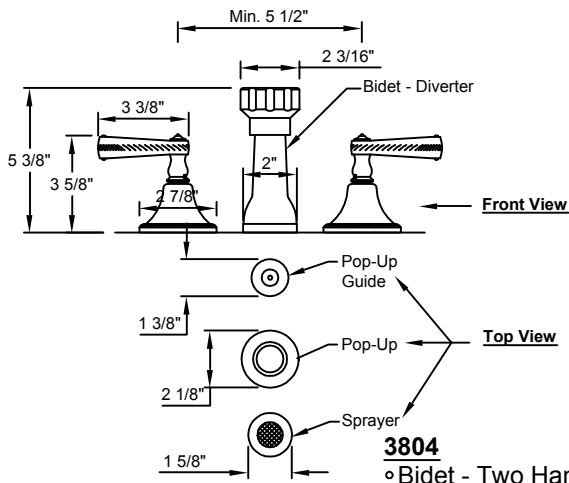


**THC-150-38 / THC-175-38**  
 ◦ Thermostatic Valve - Single Handle Shower

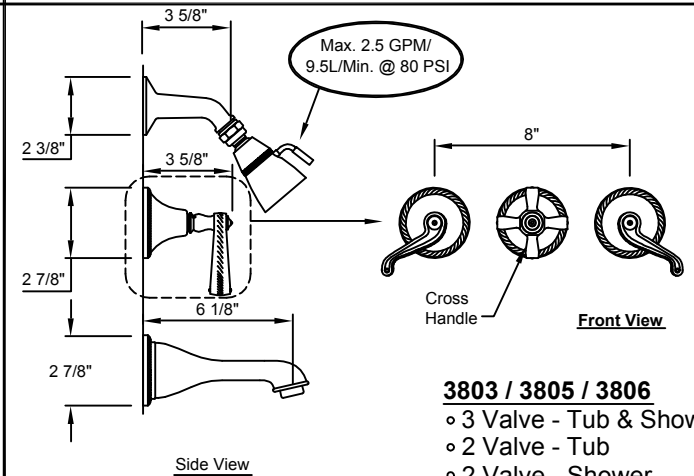
### Round Plate



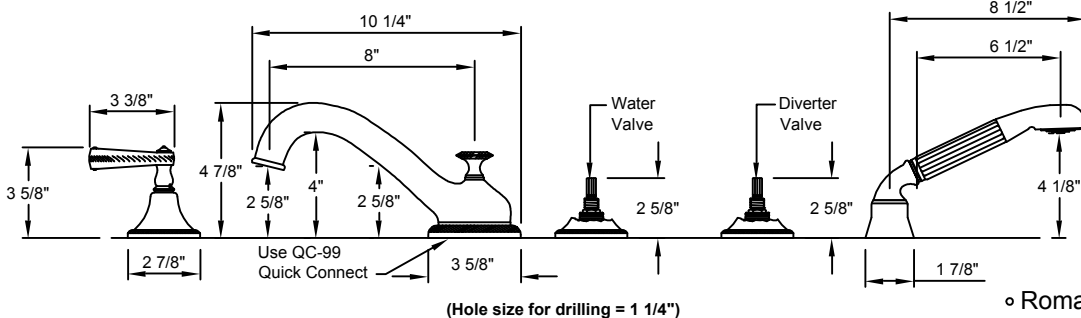
**TH-150-38 / TH-175-38**  
 ◦ Thermostatic Valve - Single Handle Shower



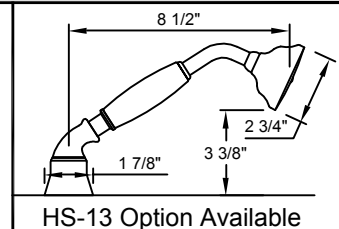
**3804**  
 ◦ Bidet - Two Handle



**3803 / 3805 / 3806**  
 ◦ 3 Valve - Tub & Shower  
 ◦ 2 Valve - Tub  
 ◦ 2 Valve - Shower



**3808 w/ 38.1**  
 ◦ Roman - w/ Optional Hand Held Shower



**HS-13 Option Available**