



Tel: 714-891-7797  
 Fax: 714-891-2478  
 Toll Free: 800-822-8855  
 www.calfaucets.com

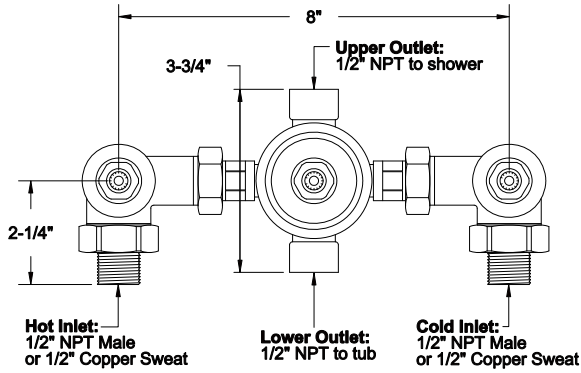
# 3-WAY VALVE

## INSTALLATION INSTRUCTIONS

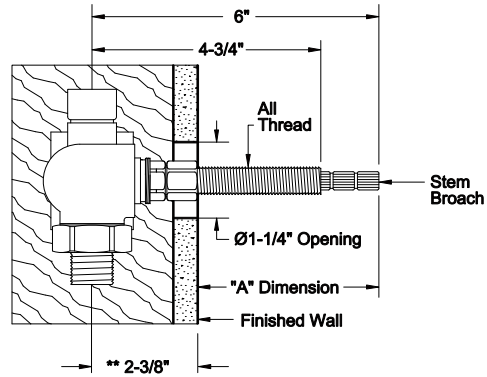
### 3-VR

California Faucets reserves the right to make modification and specification changes at any time. Please visit [www.calfaucets.com](http://www.calfaucets.com) for most current technical data.

**Front View**



**Side View**



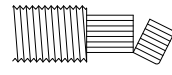
### "A" DIMENSION

"A" Dimension is from finished wall to tip of stem broach

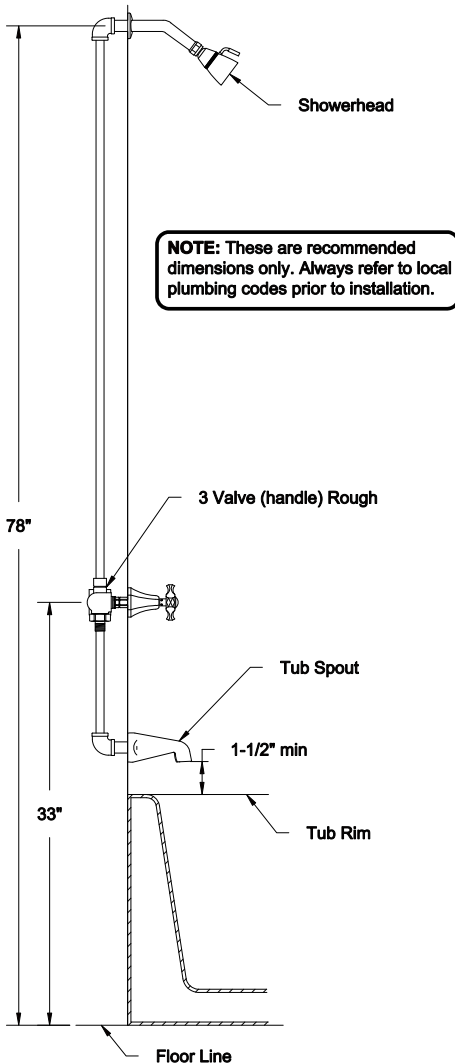
Handle Series #	"A"
33	2-3/8"
34	2-3/8"
35	2-3/8"
36	2-3/8"
38	2-5/8"
40	2-5/8"
42	2-5/8"
43	2-1/4"
46	2-1/2"
47	2-1/2"
50	2-1/4"
51	2-1/2"
52	2-5/8"
53	2-1/4"
55	2-5/8"
57	2"
58	2-5/8"
59	2-5/8"
60	2-1/4"
61	2-1/4"
62	1-7/16"
63	3"
64	2-5/8"
65	2-1/8"
66	2-1/8"
67	2-1/4"
68	2-3/8"
69	2-3/8"
**71	1"
**72	1"
**73	1"

**NOTE:** In some cases, it may be necessary to TIGHTEN cartridge to achieve desired handle alignment. Cartridge shall be tightened in a clockwise direction only. DO NOT loosen the cartridge. Preset factory torque setting of 14 ft-lbs min. MUST be maintained to prevent possible failure and/or water damage.

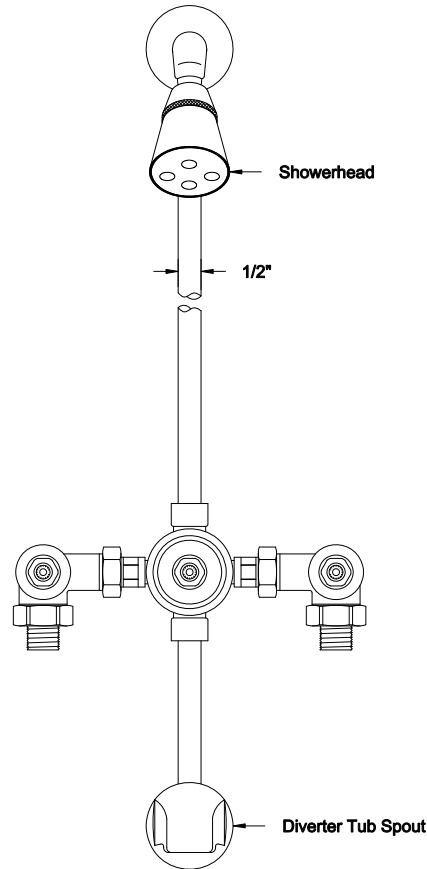
**NOTE:** When fitting handle it may be necessary to shorten broach stem and/or all thread to eliminate gap between handle & escutcheon.



**\*\*NOTE:** For Series #71, 72 & 73 valve rough must be set back a minimum of 2-3/8" from finished wall surface to center of inlets.



**NOTE:** These are recommended dimensions only. Always refer to local plumbing codes prior to installation.



**IMPORTANT CLEANING NOTICE** Please refer to *Finish Care Instructions* for complete cleaning information. Wipe frequently with a soft, damp cloth. **Never use acids, harsh abrasives or detergents.**