

**IMPORTANT**

All California Faucets® products are engineered to provide quality performance provided they are installed and operated properly. To fully enjoy the comfort, safety, and reliability of your new Single Hole Lavatory Faucet, please follow the instructions below.

California Faucets reserves the right to make modification and specification changes at any time. Please visit [www.calfaucets.com](http://www.calfaucets.com) for most current technical data.

**5401**

**5402**

Recommended  
 Hole Size:  
 1 3/8" Min.  
 1 1/2" Max.

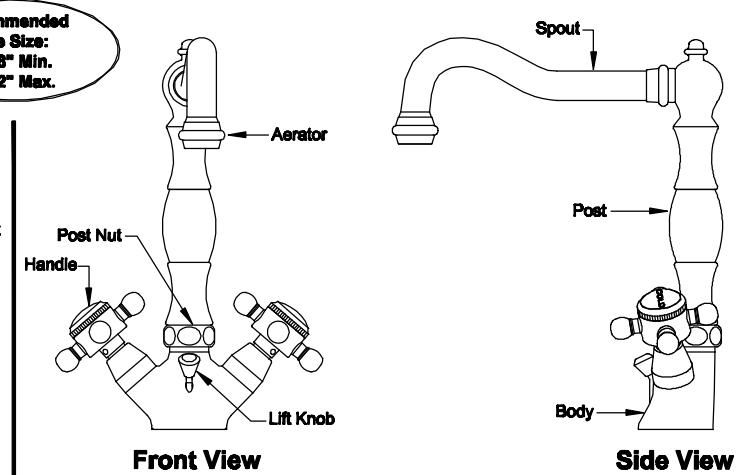
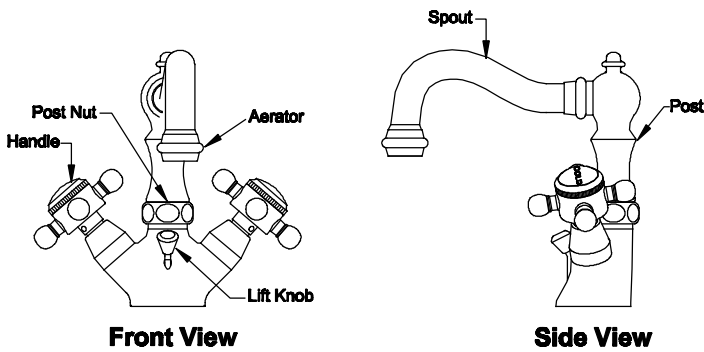


Fig. 1

Meets A112.18.1 - 1.5 gpm (5.7 L/m)

Fig. 2

**\*\*\*NOTE: SHUT OFF WATER SUPPLY BEFORE BEGINNING INSTALLATION\*\*\***

Use these instructions for both 5401 & 5402:

- 1** Install flex lines:  
 -Screw flex lines into body, (one long & one short) tighten with adjustable wrench until stop. Do not over tighten.  
 -Make sure sealing washer is fitted into base of body.

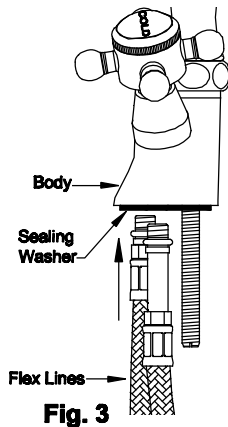


Fig. 3

- 2** Install assembly:  
 -Install faucet assembly, inserting flex lines and mounting rod through hole in sink or countertop.  
 -Center faucet on hole.

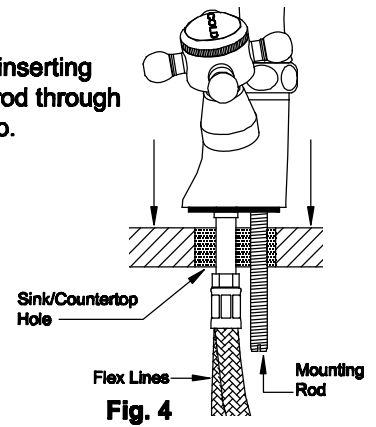


Fig. 4

- 3** Install washers:  
 -Install mounting bracket

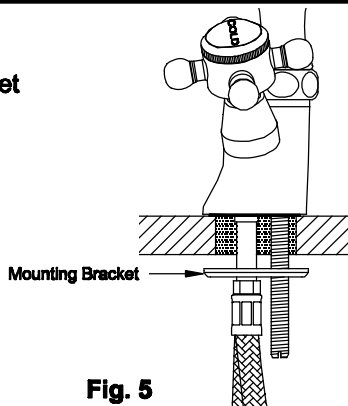


Fig. 5

- 4** Tighten to surface:  
 -Screw on brass nut to mounting rod.  
 -Hand tighten and align faucet, then tighten brass nut firmly with a deep socket or adjustable wrench.

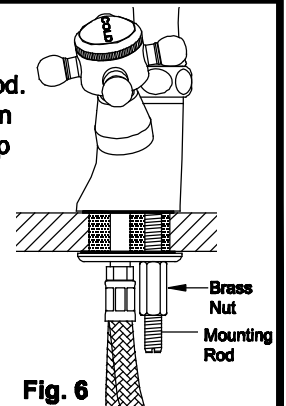
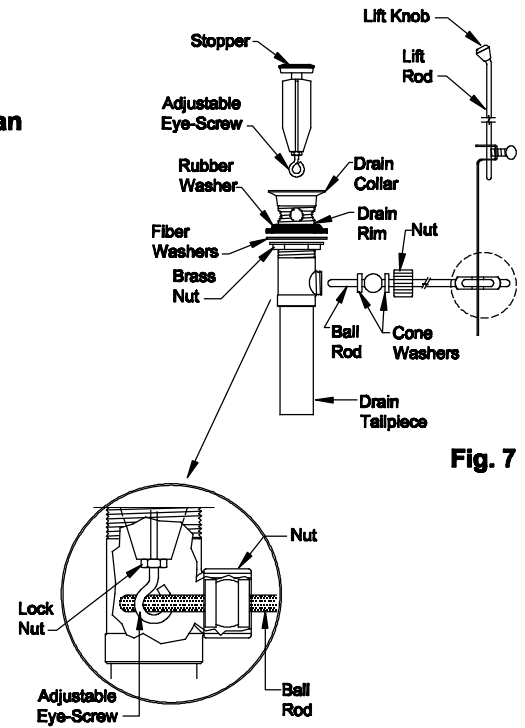


Fig. 6

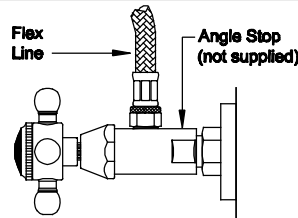
**5****Install pop-up assembly.**

- Separate drain collar from pop-up assembly.
- Apply silicon caulking to underside of drain collar. **NOTE: Do not use "Plumbers Putty" or any oil based sealants! Use of anything other than silicon caulking will VOID the finish warranty.**
- Insert drain body from underside through sink. Slowly screw on drain collar, align with ball rod hole facing back wall, then gently pull down into sink and firmly tighten brass nut from below.
- Remove tailpiece from drain body and apply teflon tape, approx. 3 to 5 wraps around threads and reinstall into bottom of drain body.
- Insert stopper in collar and hold with eye-screw hole facing back. If necessary, adjust stopper eye-screw height by loosening lock nut and rotating counter-clockwise. Tighten lock nut (See Fig. 8).
- Remove spring clip from ball rod.
- Remove nut and cone washers and slide onto end of ball rod.
- Insert ball rod into drain body below so short end of ball rod end fits in stopper eye-screw hole. Snug ball rod nut (do not over tighten). Ball rod must move up & down freely (See Fig. 8).
- Insert lift rod through top of spout and then through hole rod strap underneath sink. Tighten thumb-screw of hole rod strap against lift rod and connect to ball rod by gently pinching locking spring clip and sliding one side of spring clip onto ball rod.
- Insert hole strap onto ball rod, then pinch spring clip together to fit on ball rod.

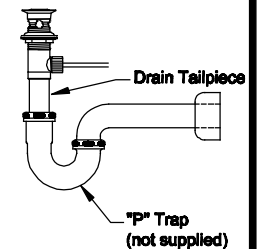
**Fig. 8****Fig. 7****6****Connect flex lines to water supply:**

- Connect flex lines to your angle stops.

**IMPORTANT:** Remove aerator, open hot/cold water supplies to flush faucet and replace aerator prior to using faucet. Debris remaining in the line will damage lavatory bodies and cause leaking. Failure to flush the lines could result in voiding the warranty.

**Fig. 10****7****Install "P" trap:**

- Connect your waste "P" trap to the drain tailpiece.

**Fig. 11**

**NOTE:**  
P-trap and angle stops are not supplied. We recommend genuine Cal-Trim parts available at your authorized California Faucets dealer.