



Tel: 714-891-7797  
Fax: 714-891-2478  
Toll Free: 800-822-8855  
www.calfaucets.com

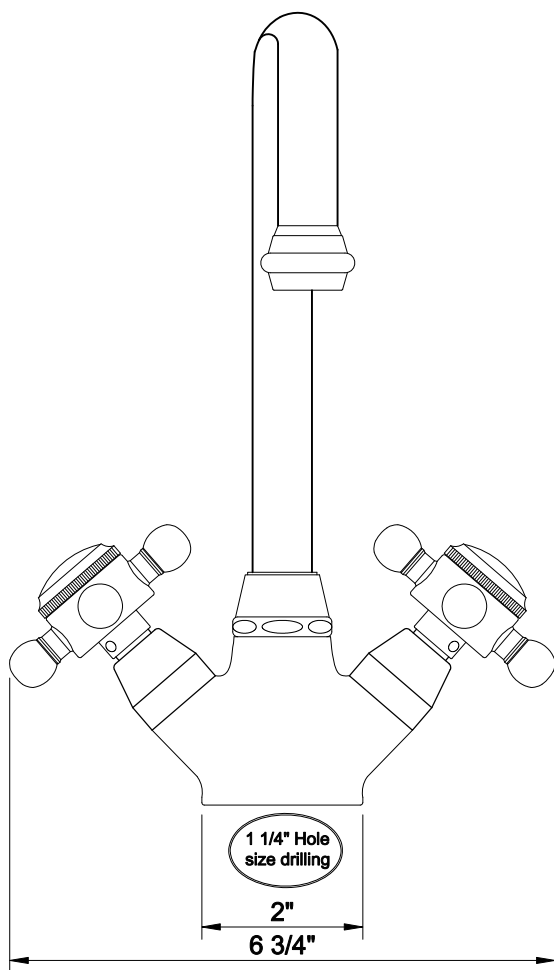
# 6109 Series Specifications

## "SALINAS"

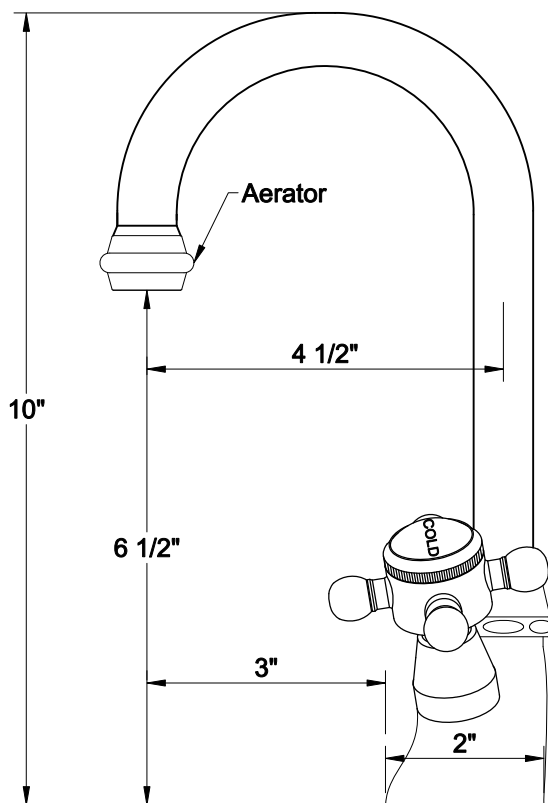


All California Faucets lever and blade handle products are American Disability Act (ADA) compliant.

California Faucets reserves the right to make modification and specification changes at any time. Please verify dimensions prior to installation. Visit [www.calfaucets.com](http://www.calfaucets.com) for most current technical data.



**Front View**



**Side View**