



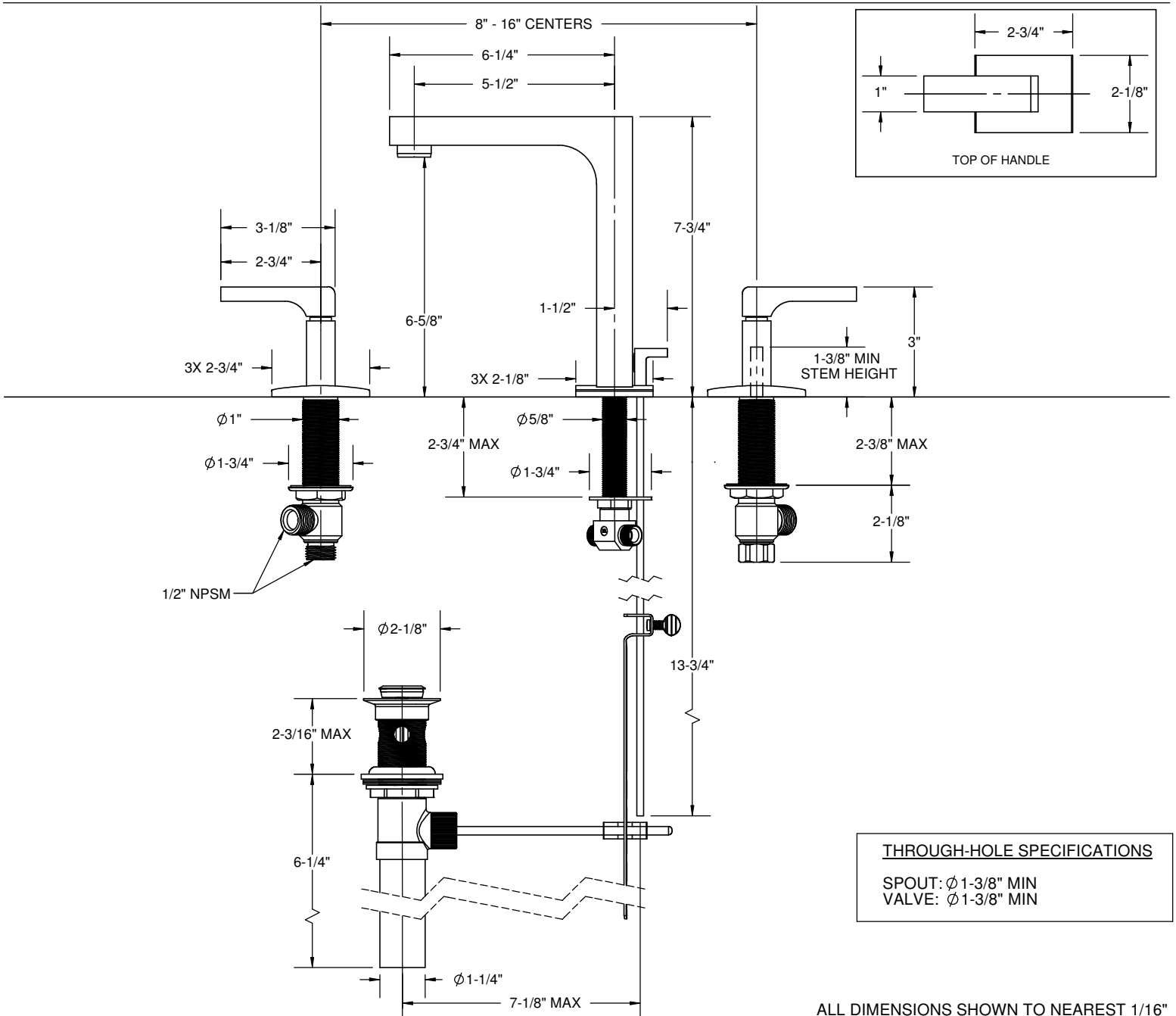
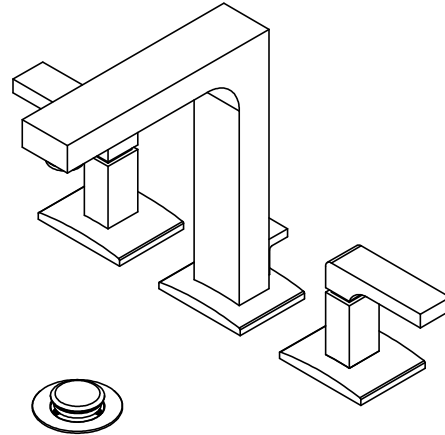
Features

- Over 30 finishes including 12 PVD finishes
- All brass construction
- 1/4 turn ceramic disc valves
- Flexible connections for easy installation
- 5-1/2" spout reach
- 1.5 gpm (8.3 L/m) maximum flow rate
- See www.calfaucets.com for additional product offering

Codes/Standards Applicable

Specified model meets or exceeds the following:

- ASME A112.18.1-2005/CSA B125.1-05
- NSF 61 and CA / VT lead plumbing law
- ADA (with lever handles)





California Faucets®

Solimar™

WALL LAVATORY

CF-TO-V7002-9

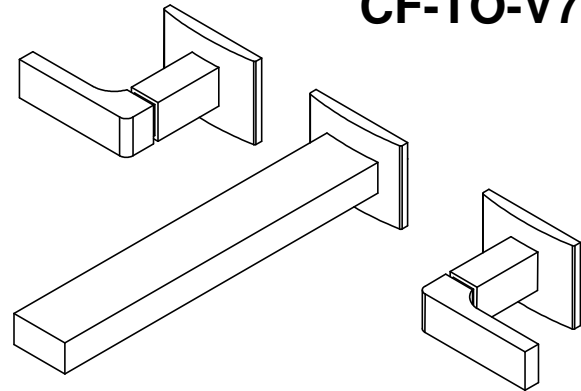
Features

- Over 30 finishes including 12 PVD finishes
- All brass construction
- 1/4 turn ceramic disc valves
- 8-1/2" spout reach
- Spout has quick-connect fitting for ease of installation
- 1.5 gpm (5.7 L/m) maximum flow rate (other flowrates available)
- Less drain
- Rough valve sold separately (CF-VL-R)
- See www.calfaucets.com for additional product offerings

Codes/Standards Applicable

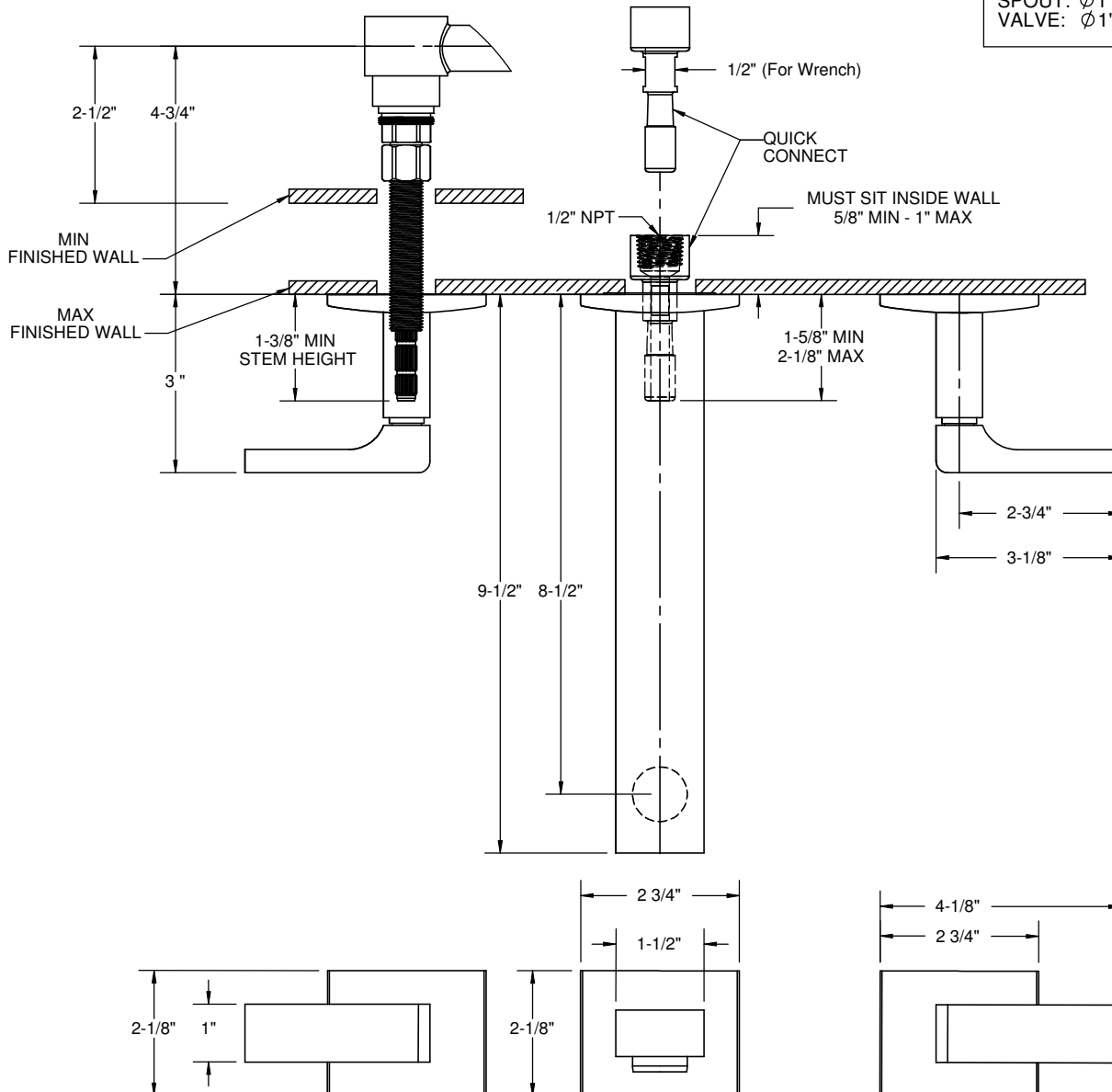
Specified model meets or exceeds the following:

- ASME A112.18.1-2005/CSA B125.1-05
- NSF 61 and CA / VT lead plumbing law
- ADA (with lever handles)



THROUGH-HOLE SPECIFICATIONS

SPOUT: $\varnothing 1"$
VALVE: $\varnothing 1"$



ALL DIMENSIONS SHOWN TO NEAREST 1/16"



California Faucets®

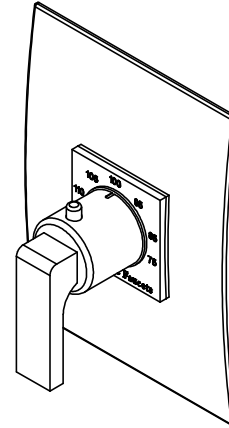
StyleTherm™

3/4" Thermostatic Valve Trim Only

Features

- Over 30 finishes including 12 PVD finishes
- All brass construction
- Rectangular faceplate
- Engraved brass temperature ring
- 100°F safety stop button with manual override
- Rough valve sold separately (TH75-R)
See www.calfaucets.com for complete selection

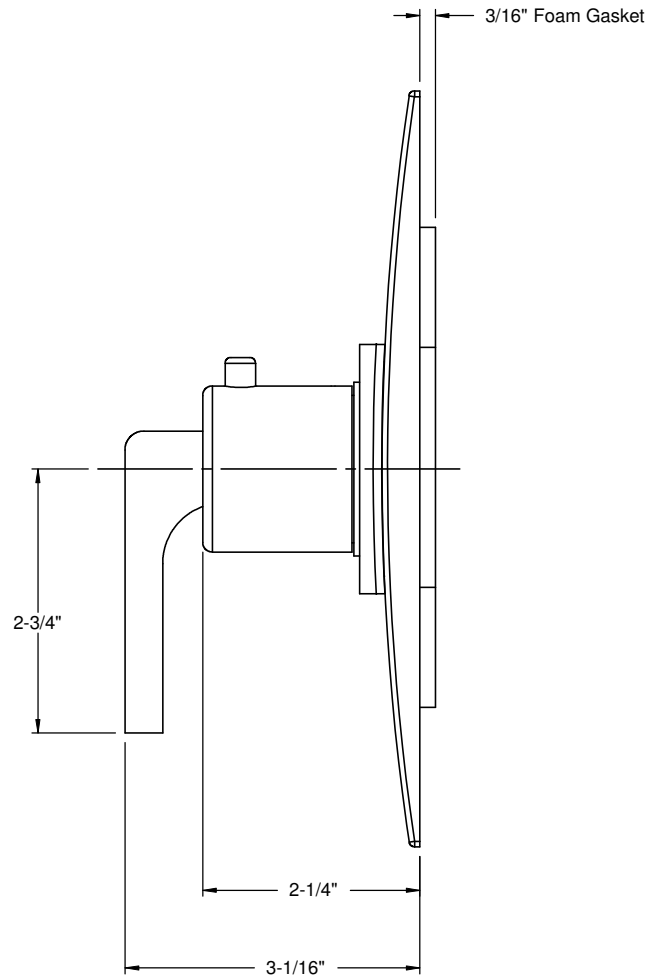
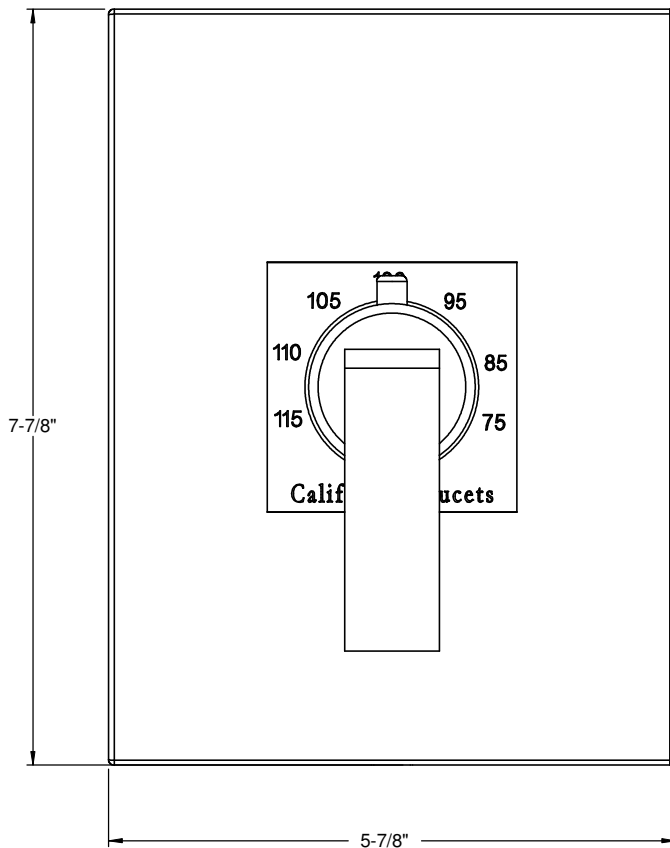
TO-THCN-70



Codes/Standards Applicable

Specified model meets or exceeds the following:

- ASME A112.18.1-2005/CSA B125.1-05
- ASSE 1016
- ADA (with lever handles)
- Listed IAPMO/cUPC®



ALL DIMENSIONS SHOWN TO NEAREST 1/16"



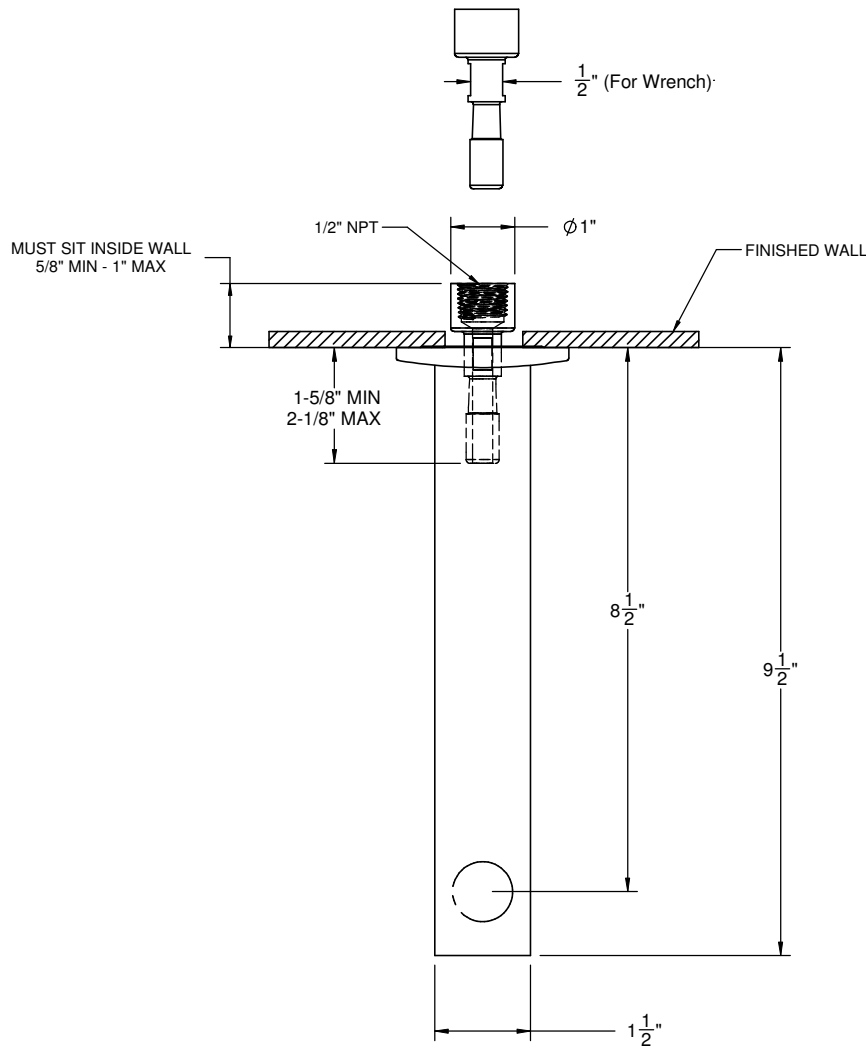
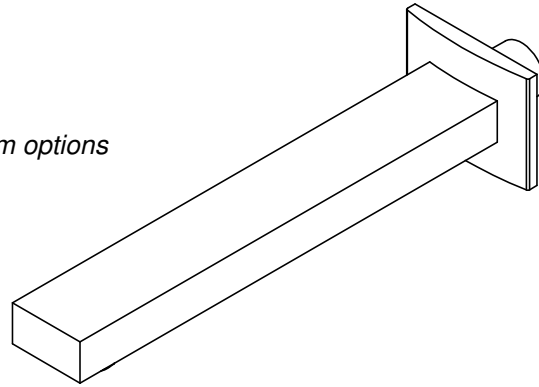
SH-570

Features

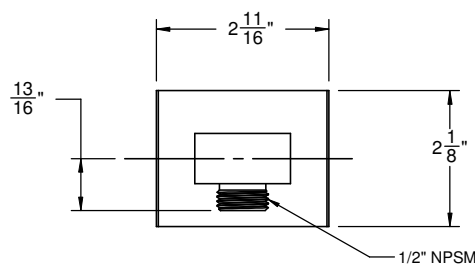
- Over 30 finishes including 12 PVD finishes
- All brass construction
- Quick connect
- 8.2 gpm (31.0 L/m) maximum flow rate
- See Virtual Faucet Creator @ www.calfaucets.com for custom options

Codes/Standards Applicable

- Specified model meets or exceeds the following:
- ASME A112.18.1-2005/CSA B125.1-05



THROUGH-HOLE SPECIFICATIONS
 SPOUT: $\varnothing 1"$



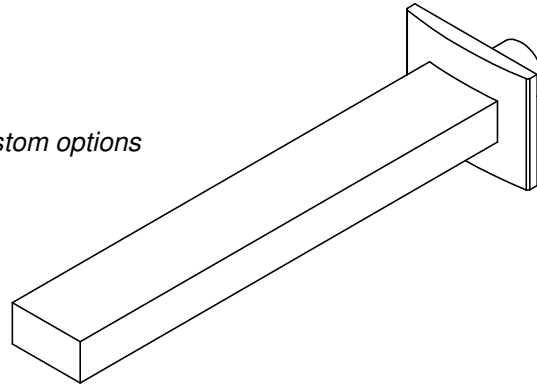
ALL DIMENSIONS SHOWN TO NEAREST 1/16"



Features

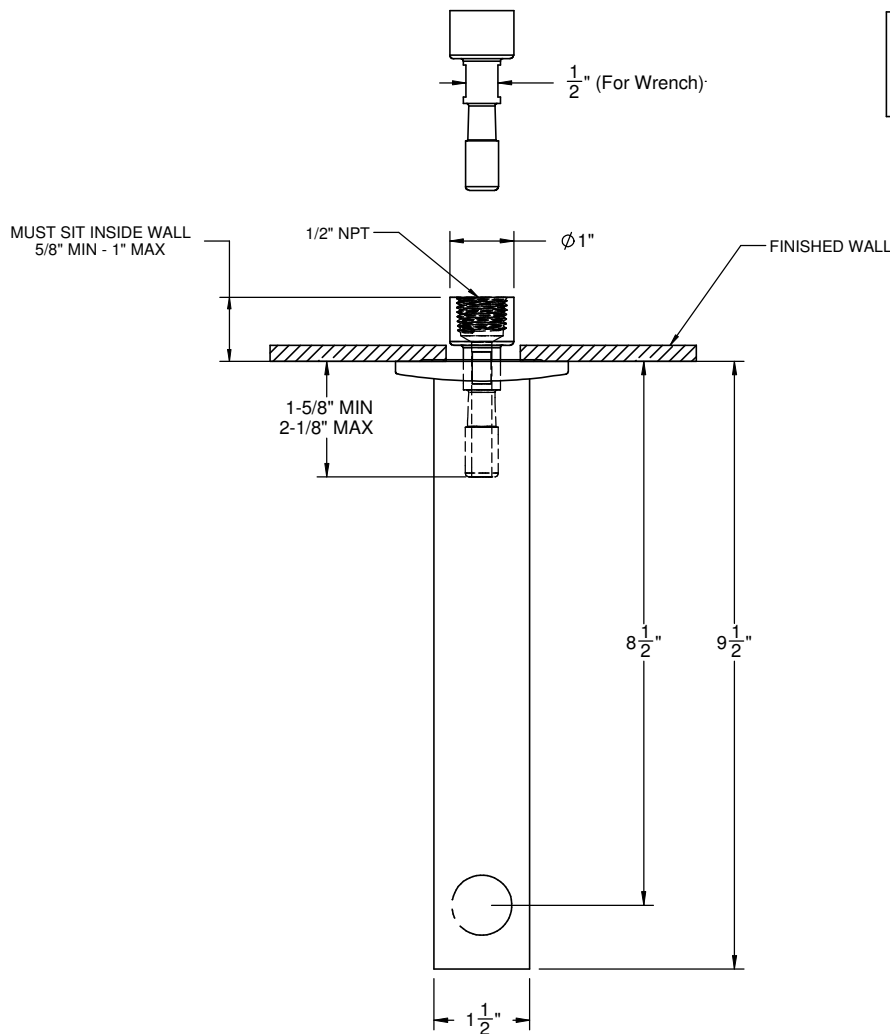
- Over 30 finishes including 12 PVD finishes
- All brass construction
- Quick connect
- 8.2 gpm (31.0 L/m) maximum flow rate
- See Virtual Faucet Creator @ www.calfaucets.com for custom options

TS-70-70

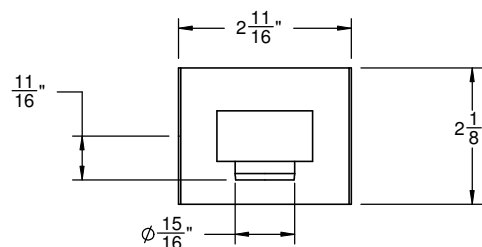


Codes/Standards Applicable

- Specified model meets or exceeds the following:
- ASME A112.18.1-2005/CSA B125.1-05



THROUGH-HOLE SPECIFICATIONS
SPOUT: $\phi 1"$



ALL DIMENSIONS SHOWN TO NEAREST 1/16"



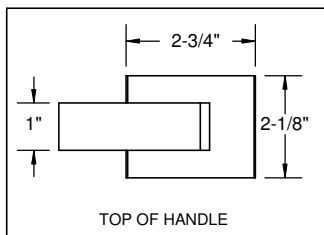
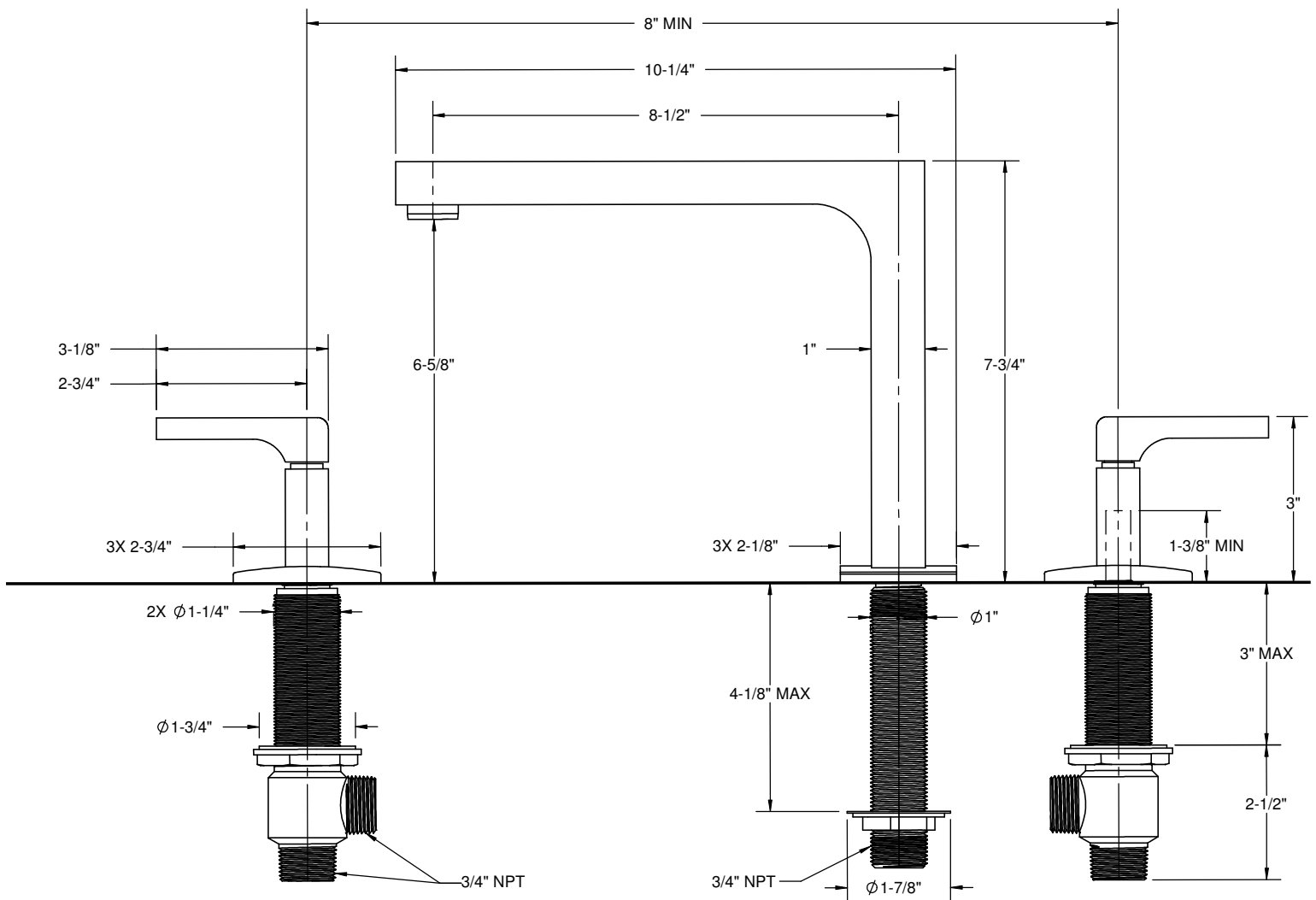
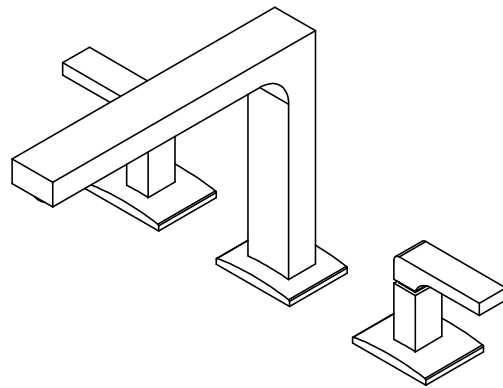
Features

- Over 30 finishes including 12 PVD finishes
- All brass construction
- 1/4 turn 3/4" high flow ceramic disc valves
- 15 gpm (56.8 L/m) maximum flow rate
- See www.calfaucets.com for additional product offering

Codes/Standards Applicable

Specified model meets or exceeds the following:

- ASME A112.18.1-2005/CSA B125.1-05
- ADA (with lever handles)



THROUGH-HOLE SPECIFICATIONS
 SPOUT: ϕ 1" MIN
 VALVE: ϕ 1-1/4" MIN

ALL DIMENSIONS SHOWN TO NEAREST 1/16"



70-18

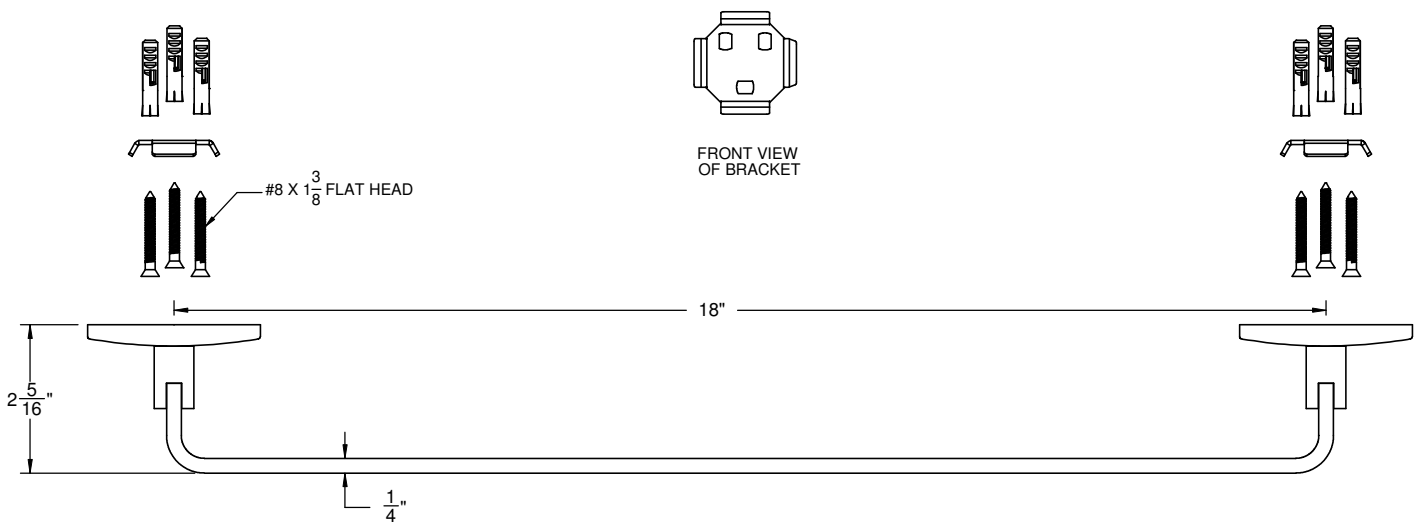
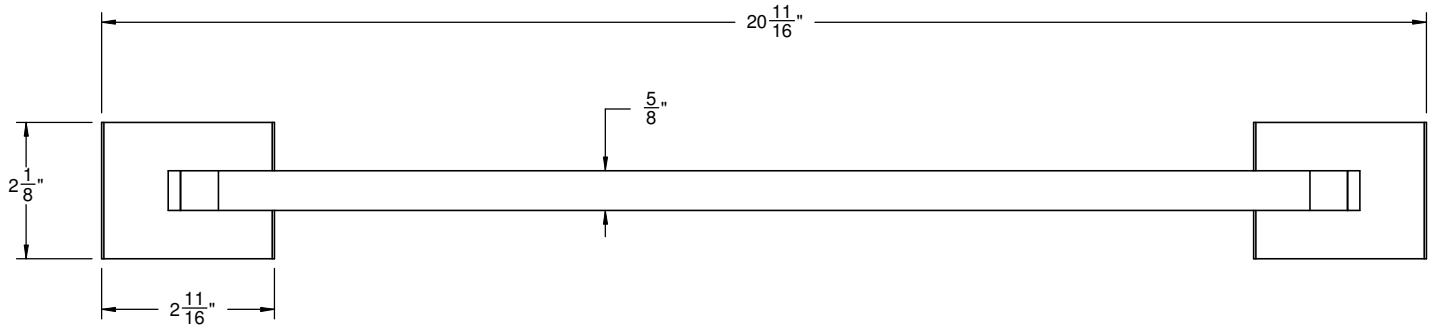
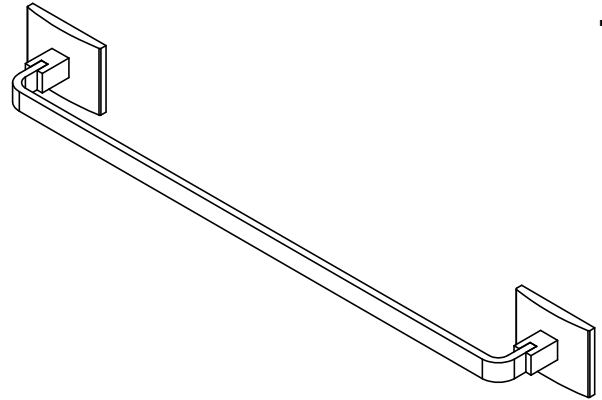
Features

- Over 30 finishes including 12 PVD finishes
- All brass construction
- Includes mounting hardware

Codes/Standards Applicable

Specified model meets or exceeds the following:

- None applicable



ALL DIMENSIONS SHOWN TO NEAREST 1/16"



70-24

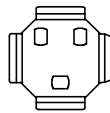
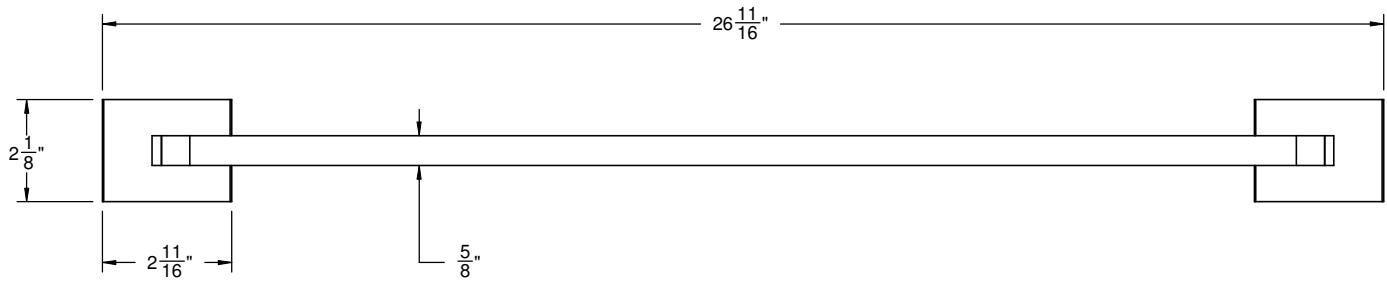
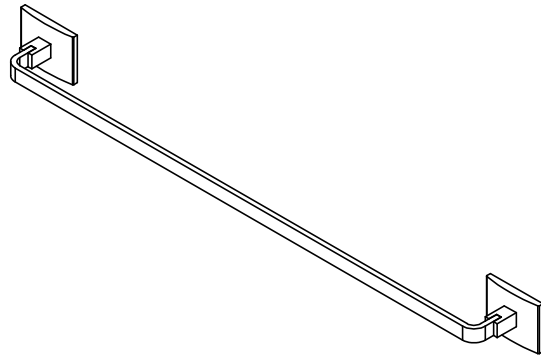
Features

- Over 30 finishes including 12 PVD finishes
- All brass construction
- Includes mounting hardware

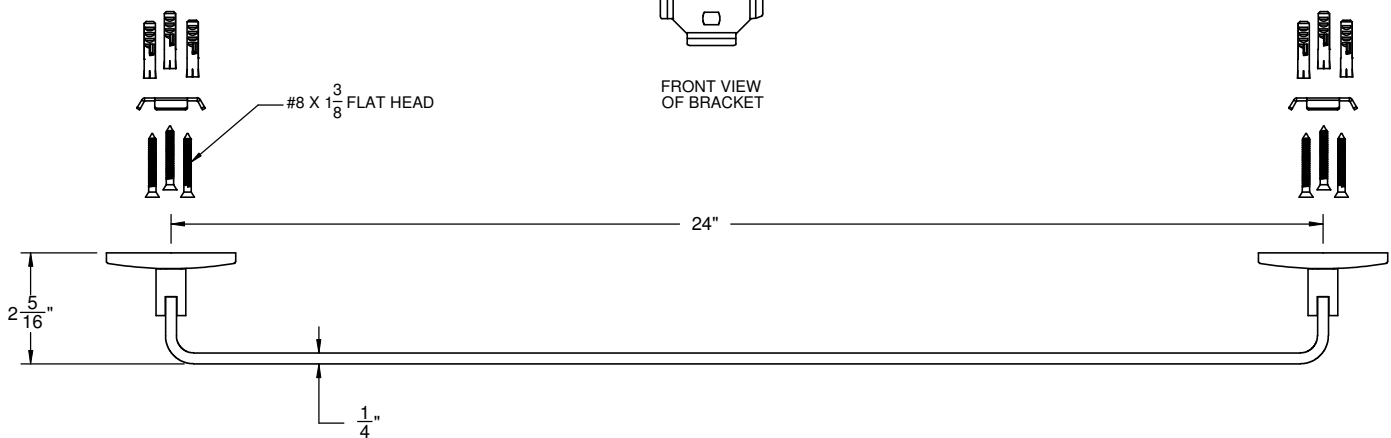
Codes/Standards Applicable

Specified model meets or exceeds the following:

- None applicable



FRONT VIEW OF BRACKET



ALL DIMENSIONS SHOWN TO NEAREST 1/16"



70-RH

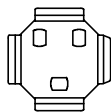
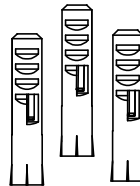
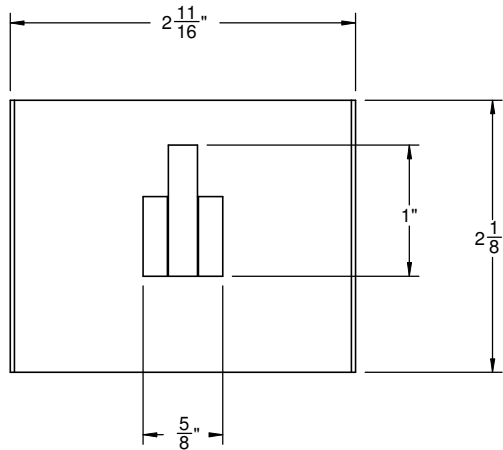
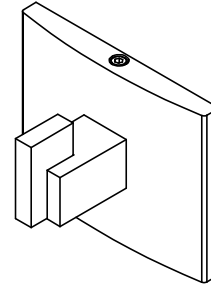
Features

- Over 30 finishes including 12 PVD finishes
- All brass construction
- Includes mounting hardware

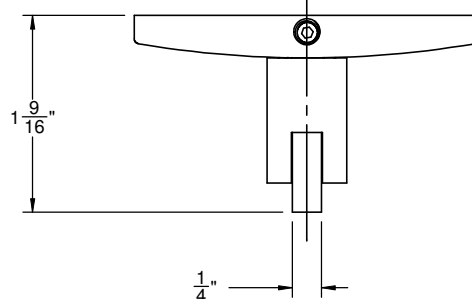
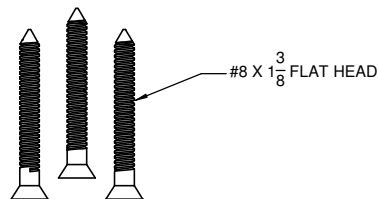
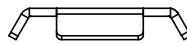
Codes/Standards Applicable

Specified model meets or exceeds the following:

- None applicable



FRONT VIEW OF BRACKET



ALL DIMENSIONS SHOWN TO NEAREST 1/16"



70-SD

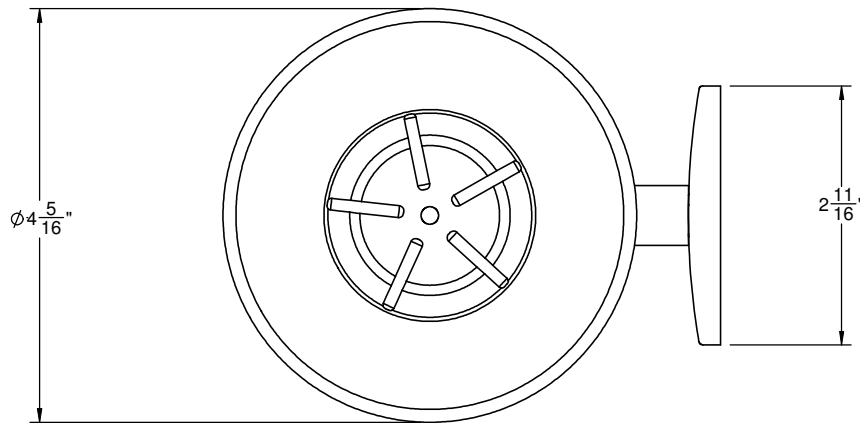
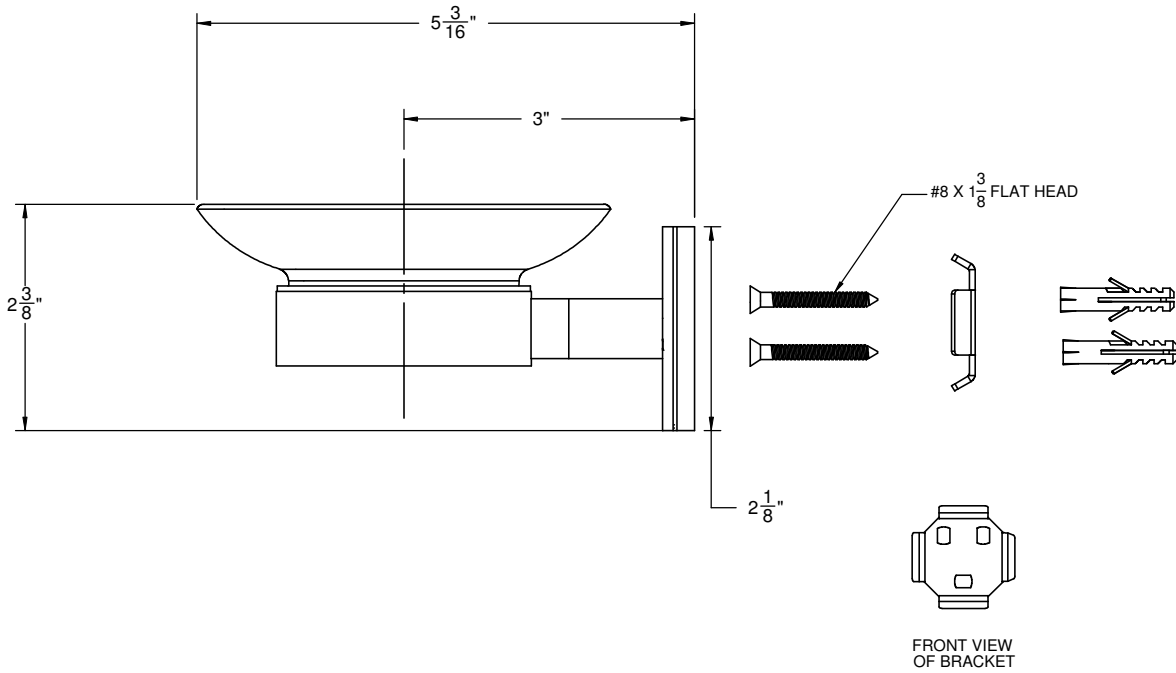
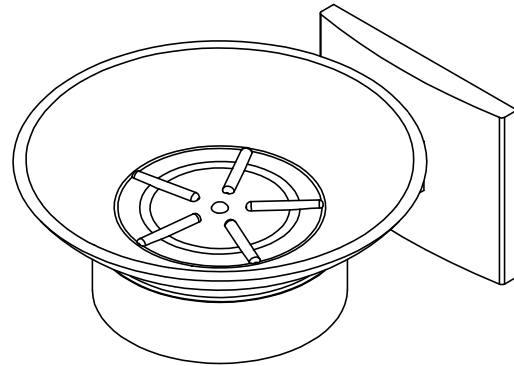
Features

- Over 30 finishes including 12 PVD finishes
- All brass construction
- Includes mounting hardware

Codes/Standards Applicable

Specified model meets or exceeds the following:

- None applicable





70-STP

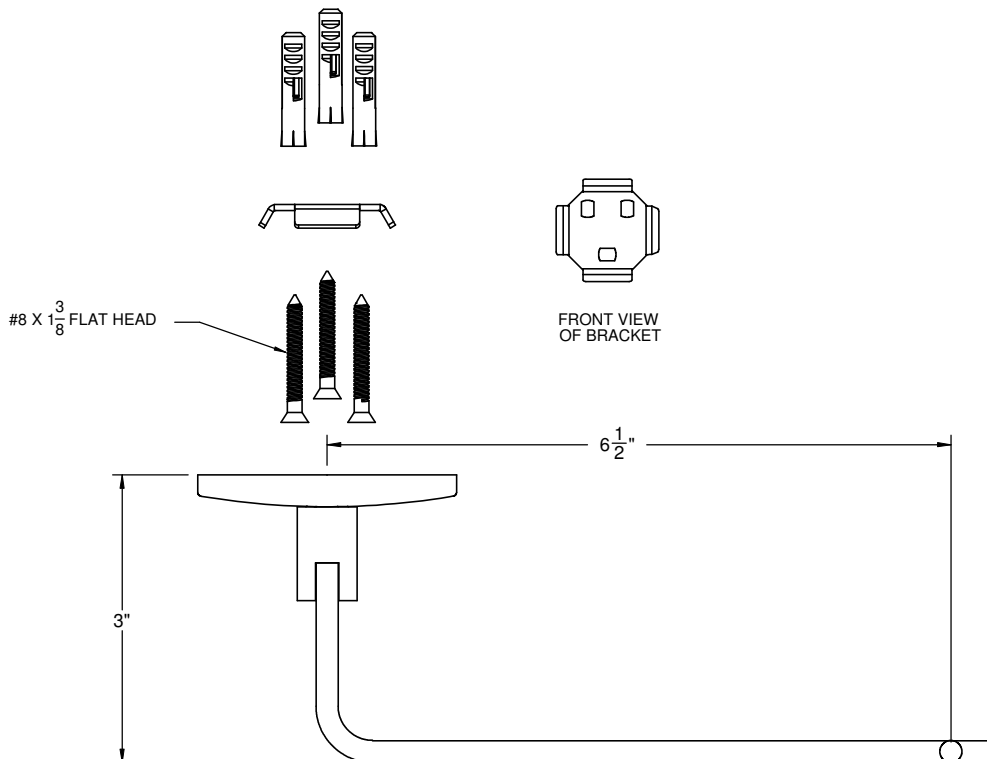
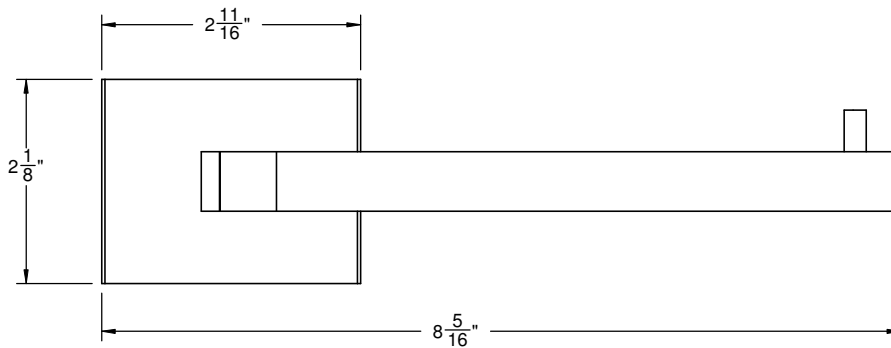
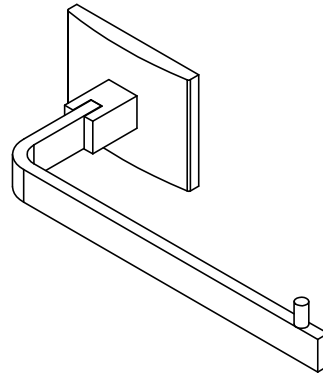
Features

- Over 30 finishes including 12 PVD finishes
- All brass construction
- Includes mounting hardware

Codes/Standards Applicable

Specified model meets or exceeds the following:

- None Applicable



ALL DIMENSIONS SHOWN TO NEAREST 1/16"



70-TU

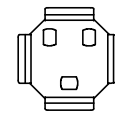
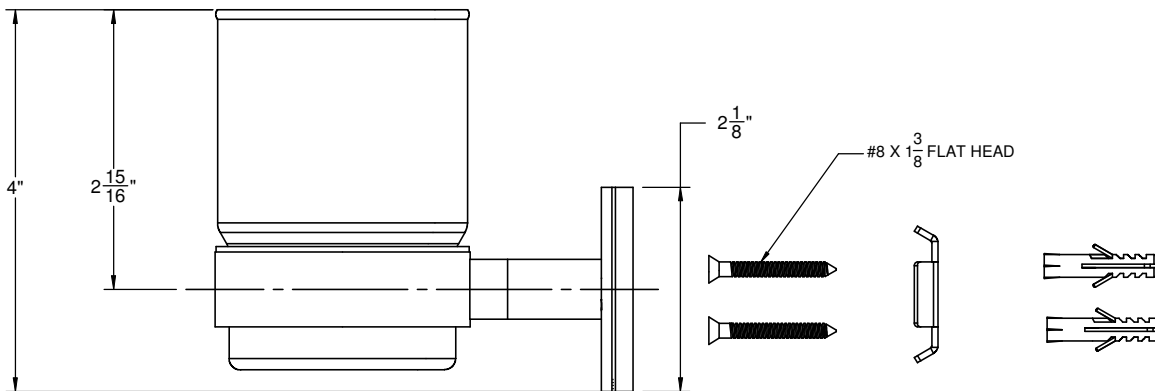
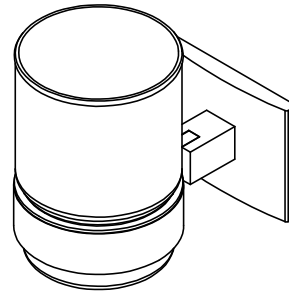
Features

- Over 30 finishes including 12 PVD finishes
- All brass construction
- Includes mounting hardware

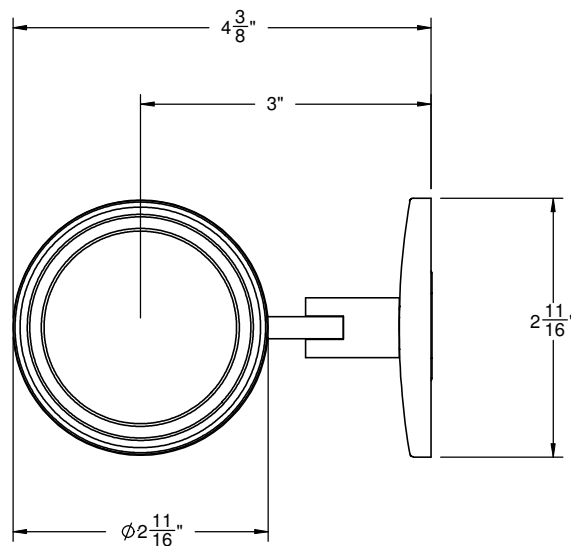
Codes/Standards Applicable

Specified model meets or exceeds the following:

- None Applicable



FRONT VIEW OF BRACKET



ALL DIMENSIONS SHOWN TO NEAREST 1/16"