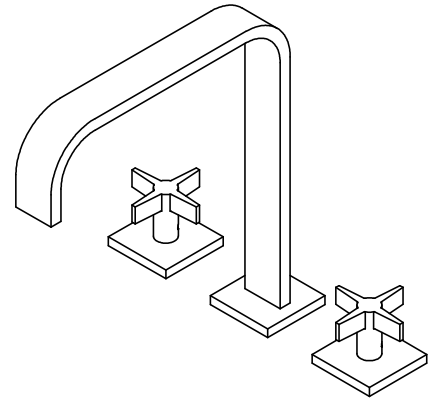




Features

- All brass construction
- 1/4 turn 3/4" high flow ceramic disc valves
- 3/4" tee supplied w/ spout
- 10 gallon (37.9 L) per minute maximum flow rate
- Available in 30 finishes
- For custom options, see www.calfaucets.com



Codes/Standards Applicable

Specified model meets or exceeds the following:

- ASME A112.18.1-2005/CSA B125.1-05
- ADA (with lever handles)

