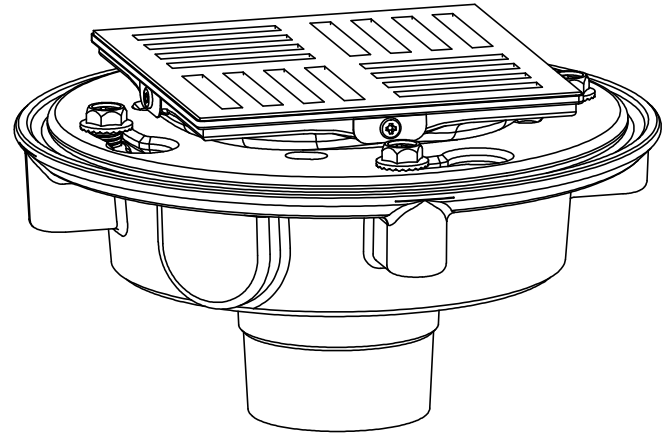


Suggested Uses

- Shower Drain
- Patio Drain
- Atrium Drain
- Other wetted area floor drains

Features

- All brass decorative grid drain with no visible surface screws
 - Surface is foot friendly - will not dish or bend
 - Square design for easy floor design and installation
 - Rugged cast iron construction body with protective coating
 - Reversible membrane collar with weep holes to accommodate a variety of tile installations
 - 2" No-Hub connection
 - Compatible with all StyleDrain Decorative Trim Grids
- For complete selection, see www.calfaucets.com



Codes/Standards Applicable

- Specified model meets or exceeds the following:
- ASME A112.18.2/CSA B125.2

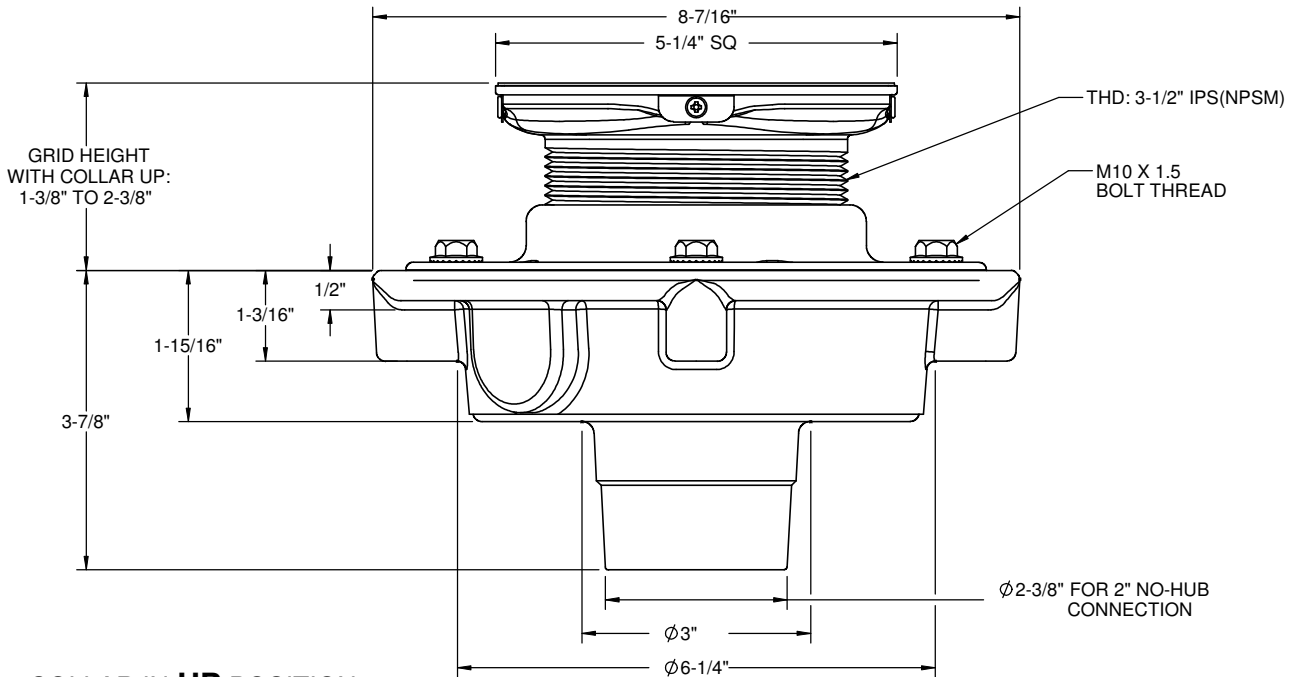
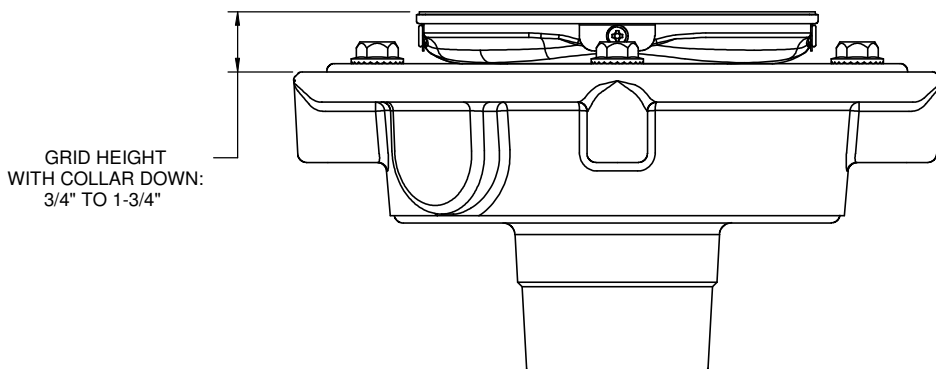


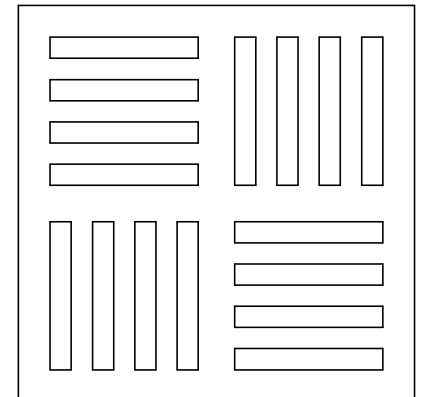
Figure 1. COLLAR IN UP POSITION

Figure 2. COLLAR IN DOWN POSITION



DIMENSIONS SHOWN TO NEAREST 1/16"

Figure 3. GRID PATTERN



OPEN AREA = 9.00 in²



California Faucets®

9171-3

StyleDrain™

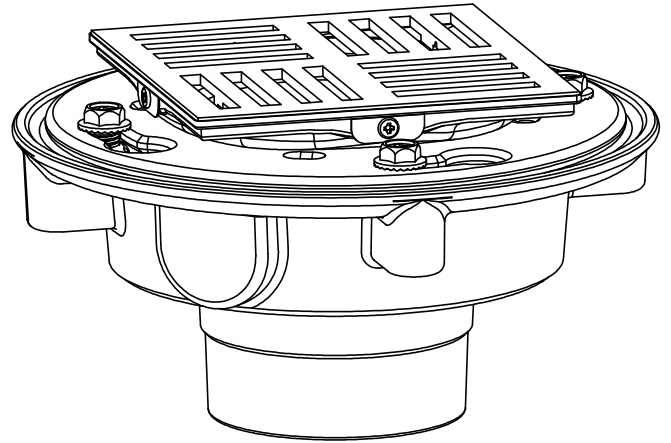
DELUXE DRAIN BODY, THROAT, & GRID, 3" NO-HUB

Suggested Uses

- Shower Drain
- Patio Drain
- Atrium Drain
- Other wetted area floor drains

Features

- All brass decorative grid drain with no visible surface screws
 - Surface is foot friendly - will not dish or bend
 - Square design for easy floor design and installation
 - Rugged cast iron construction body with protective coating
 - Reversible membrane collar with weep holes to accommodate a variety of tile installations
 - 3" No-Hub connection
 - Compatible with all StyleDrain Decorative Trim Grids
- For complete selection, see www.calfaucets.com



Codes/Standards Applicable

Specified model meets or exceeds the following:

- ASME A112.18.2/CSA B125.2

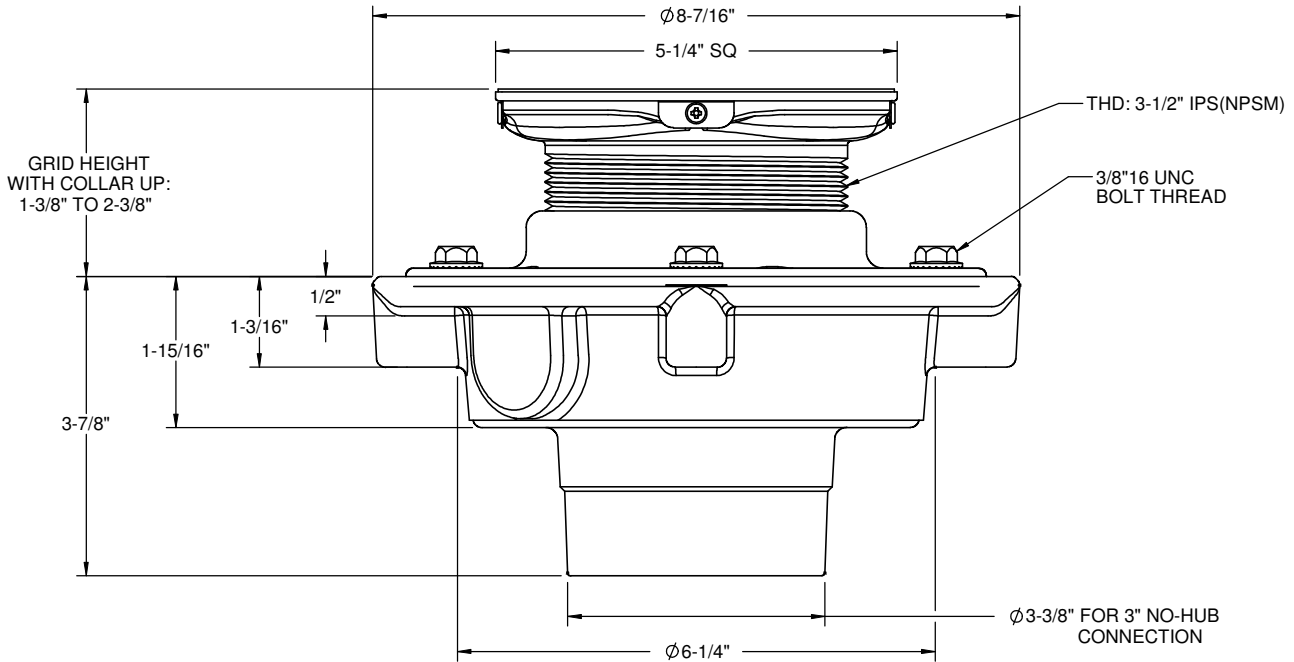


Figure 1. COLLAR IN UP POSITION

Figure 2. COLLAR IN DOWN POSITION

DIMENSIONS SHOWN TO NEAREST 1/16"

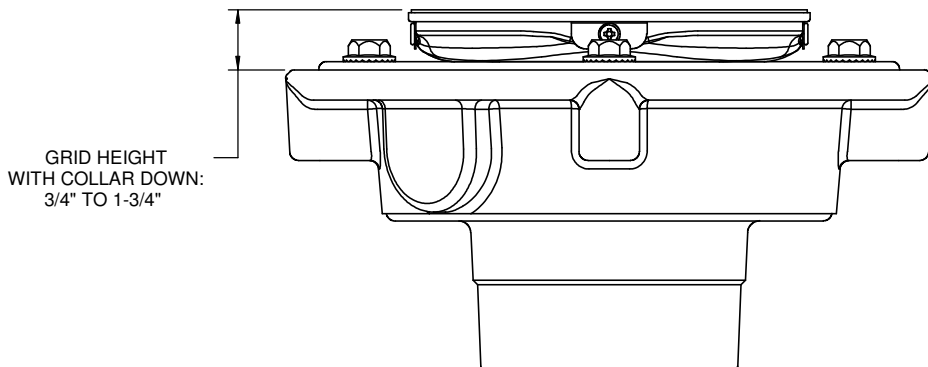
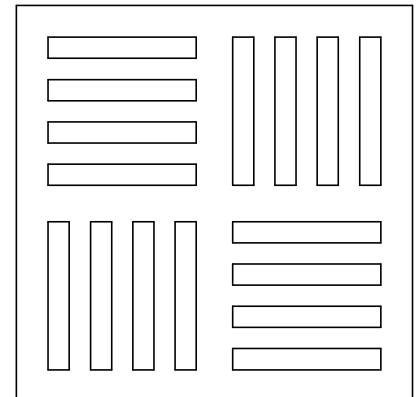


Figure 3. GRID PATTERN



OPEN AREA = 9.00 in²



California Faucets®

9171-ABS

StyleDrain™

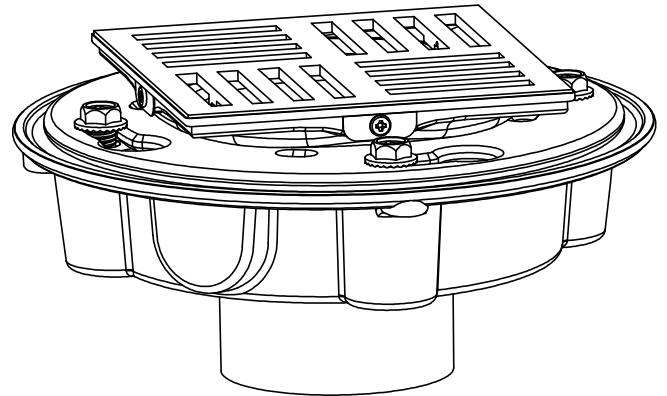
DELUXE DRAIN BODY, THROAT, & GRID, 2" & 3" ABS

Suggested Uses

- Shower Drain
- Patio Drain
- Atrium Drain
- Other wetted area floor drains

Features

- All brass decorative grid drain with no visible surface screws
 - Surface is foot friendly - will not dish or bend
 - Square design for easy floor design and installation
 - Rugged black ABS construction - Drain Body
 - Reversible membrane collar with weep holes to accommodate a variety of tile installations
 - 2" & 3" ABS solvent joint connections
 - Compatible with all StyleDrain Decorative Trim Grids
- For complete selection, see www.calfaucets.com



Codes/Standards Applicable

- Specified model meets or exceeds the following:
- ASME A112.18.2/CSA B125.2

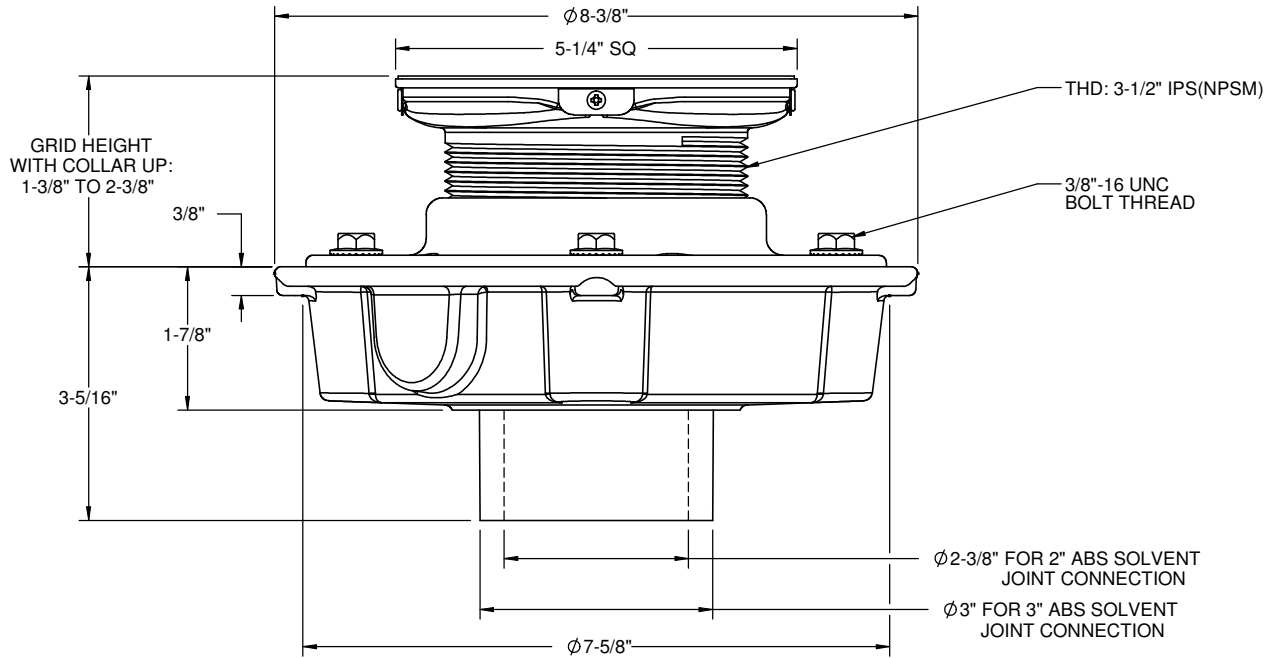


Figure 1. COLLAR IN UP POSITION

Figure 2. COLLAR IN DOWN POSITION

DIMENSIONS SHOWN TO NEAREST 1/16"

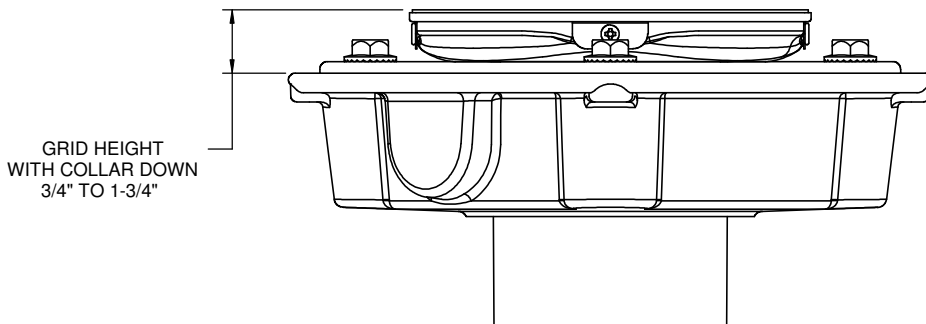
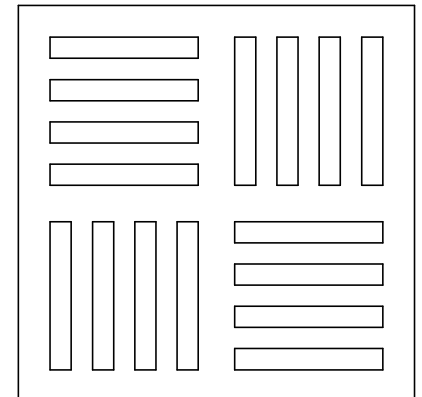


Figure 3. GRID PATTERN



OPEN AREA = 9.00 in²



California Faucets®

9171-PVC-2

StyleDrain™

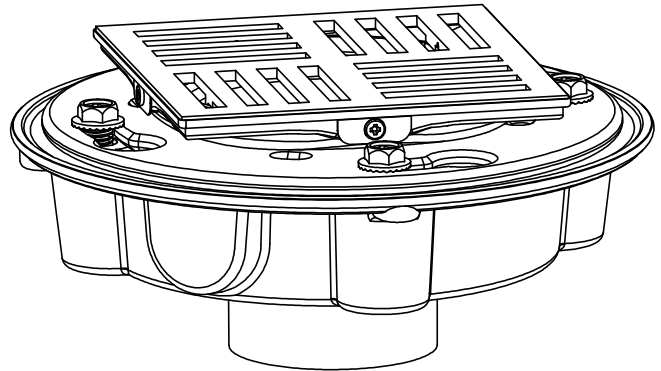
DELUXE DRAIN BODY, THROAT, & GRID, 2" PVC

Suggested Uses

- Shower Drain
- Patio Drain
- Atrium Drain
- Other wetted area floor drains

Features

- All brass decorative grid drain with no visible surface screws
 - Surface is foot friendly - will not dish or bend
 - Square design for easy floor design and installation
 - Rugged white PVC construction - Drain Body
 - Reversible membrane collar with weep holes to accommodate a variety of tile installations
 - 2" PVC solvent joint connection
 - Compatible with all StyleDrain Decorative Trim Grids
- For complete selection, see www.calfaucets.com



Codes/Standards Applicable

- Specified model meets or exceeds the following:
- ASME A112.18.2/CSA B125.2

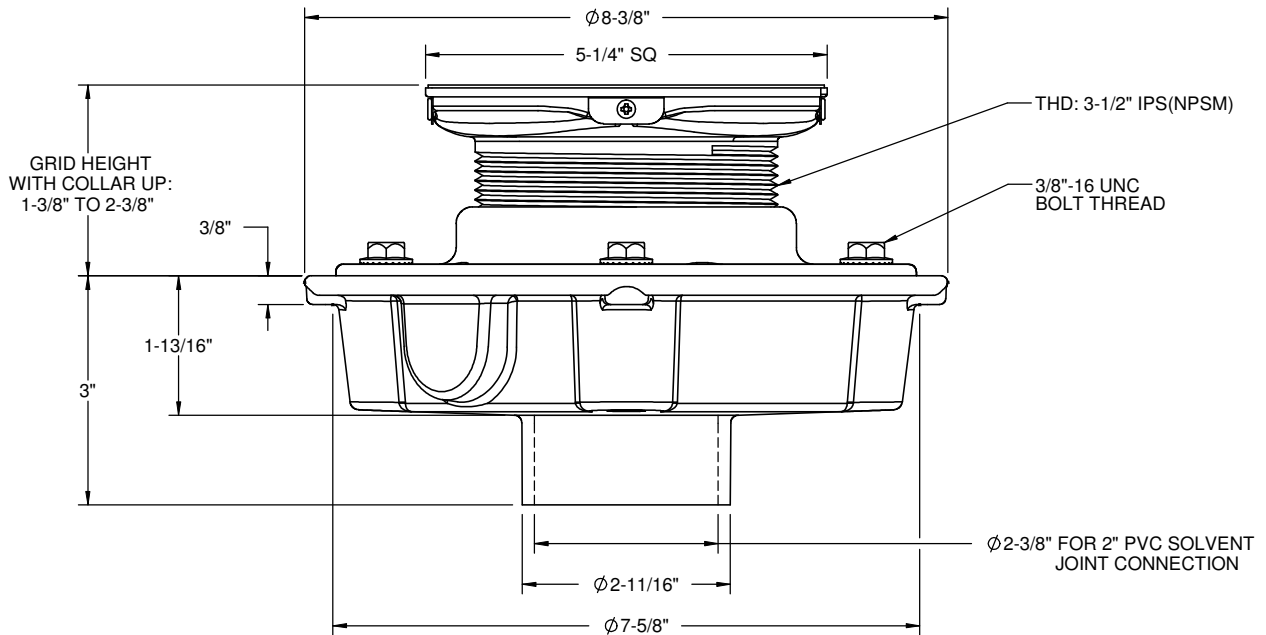


Figure 1. COLLAR IN UP POSITION

Figure 2. COLLAR IN DOWN POSITION

DIMENSIONS SHOWN TO NEAREST 1/16"

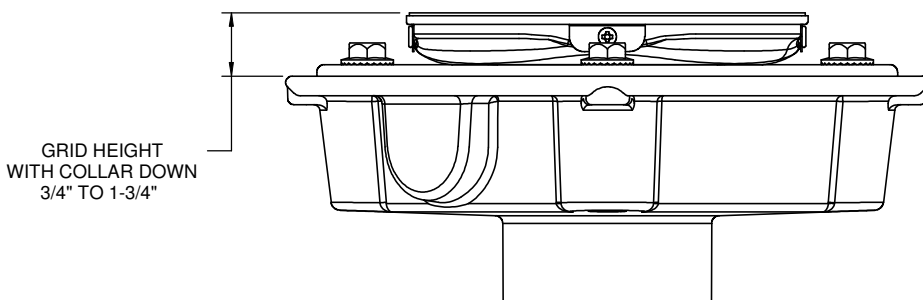
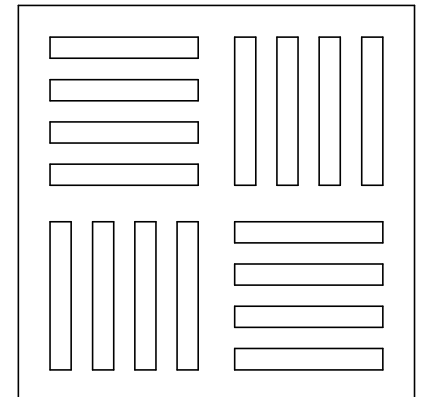


Figure 3. GRID PATTERN



OPEN AREA = 9.00 in²