

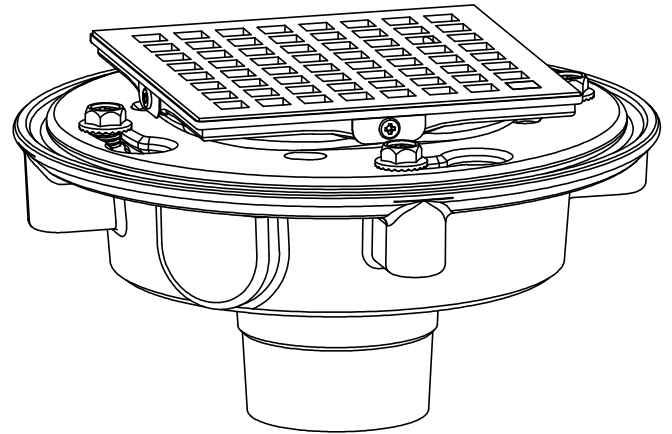


### Suggested Uses

- Shower Drain
- Patio Drain
- Atrium Drain
- Other wetted area floor drains

### Features

- All brass decorative grid drain with no visible surface screws
  - Surface is foot friendly - will not dish or bend
  - Square design for easy floor design and installation
  - Rugged cast iron construction body with protective coating
  - Reversible membrane collar with weep holes to accommodate a variety of tile installations
  - 2" No-Hub connection
  - Compatible with all StyleDrain Decorative Trim Grids
- For complete selection, see [www.calfaucets.com](http://www.calfaucets.com)



### Codes/Standards Applicable

- Specified model meets or exceeds the following:
- ASME A112.18.2/CSA B125.2

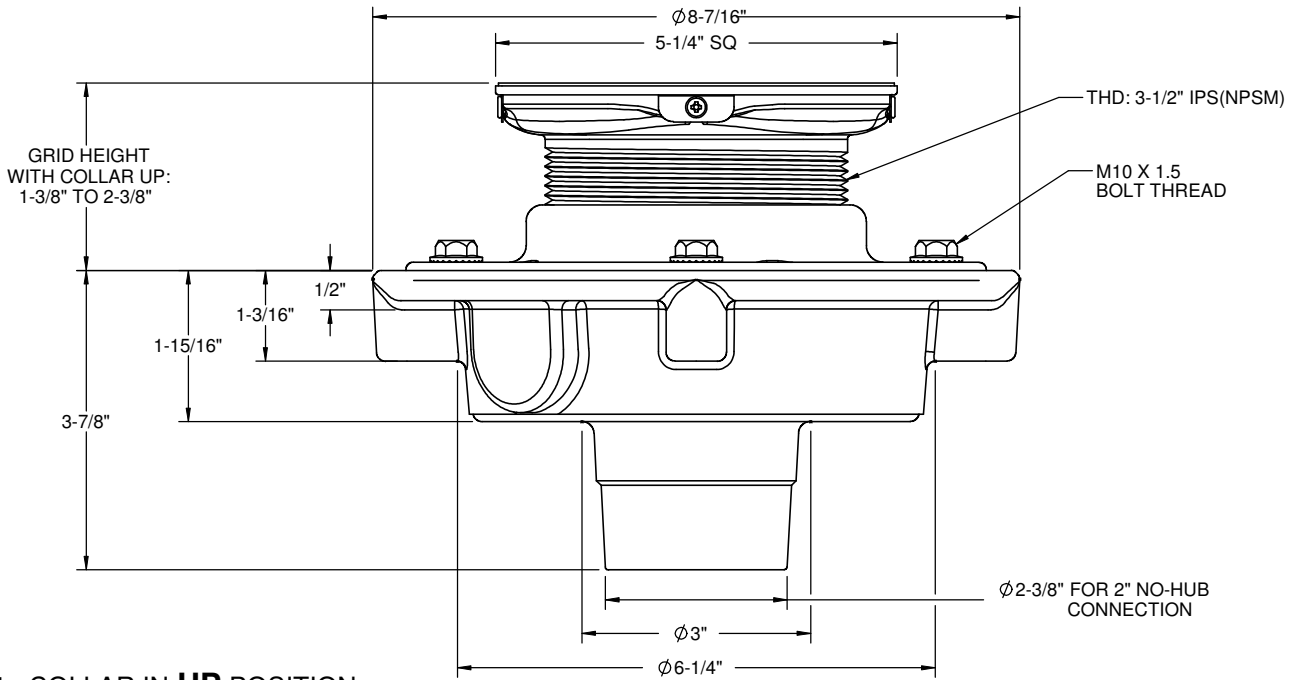
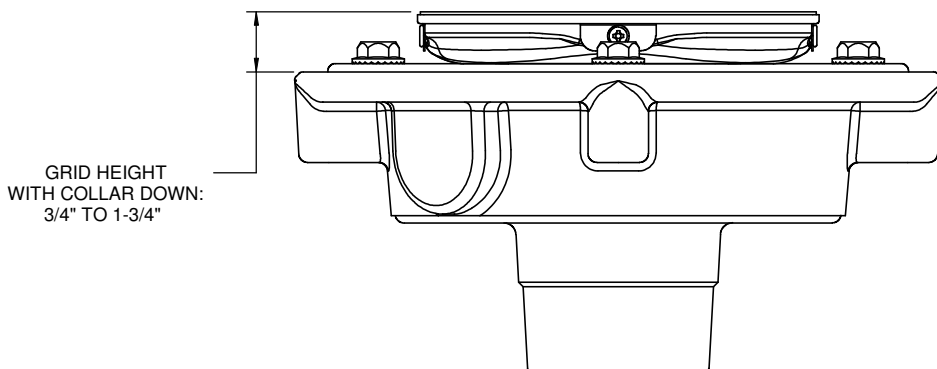


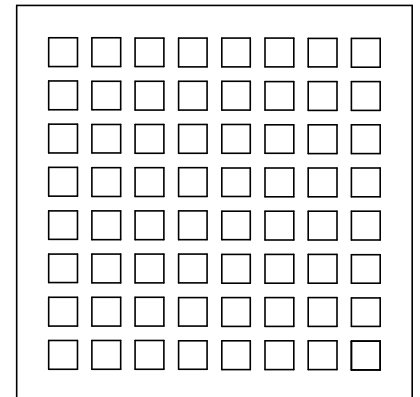
Figure 1. COLLAR IN UP POSITION

Figure 2. COLLAR IN DOWN POSITION

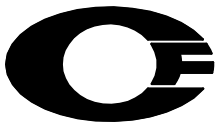


DIMENSIONS SHOWN TO NEAREST 1/16"

Figure 3. GRID PATTERN



OPEN AREA = 8.95 in<sup>2</sup>



California Faucets®

# Mission Style Drain®

3" NO-HUB DRAIN BODY, THROAT, & GRID

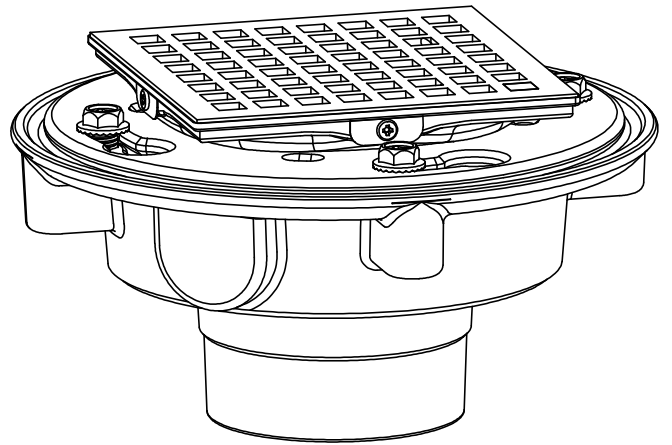
9172-3

## Suggested Uses

- Shower Drain
- Patio Drain
- Atrium Drain
- Other wetted area floor drains

## Features

- All brass decorative grid drain with no visible surface screws
  - Surface is foot friendly - will not dish or bend
  - Square design for easy floor design and installation
  - Rugged cast iron construction body with protective coating
  - Reversible membrane collar with weep holes to accommodate a variety of tile installations
  - 3" No-Hub connection
  - Compatible with all StyleDrain Decorative Trim Grids
- For complete selection, see [www.calfaucets.com](http://www.calfaucets.com)



## Codes/Standards Applicable

- Specified model meets or exceeds the following:
- ASME A112.18.2/CSA B125.2

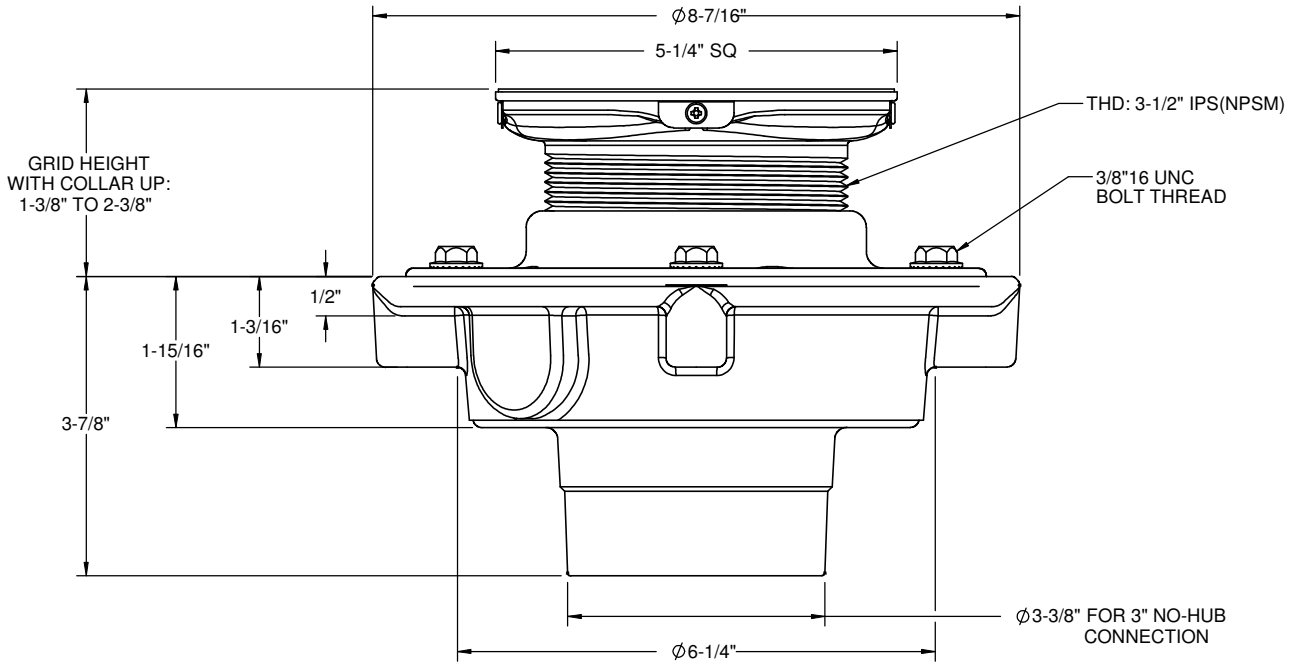


Figure 1. COLLAR IN UP POSITION

Figure 2. COLLAR IN DOWN POSITION

DIMENSIONS SHOWN TO NEAREST 1/16"

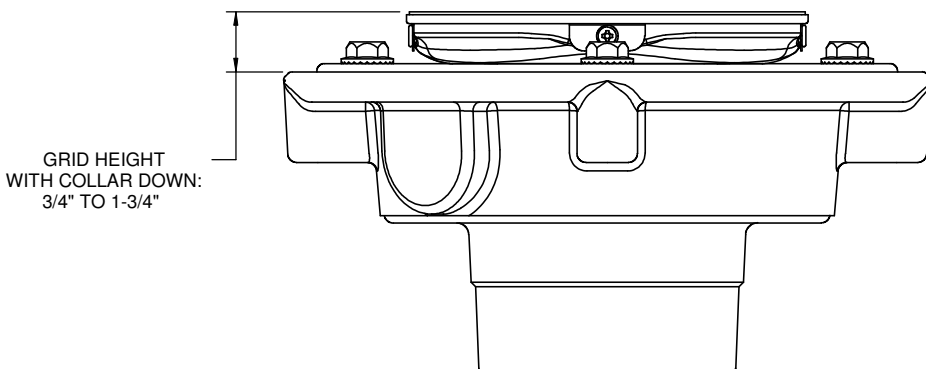
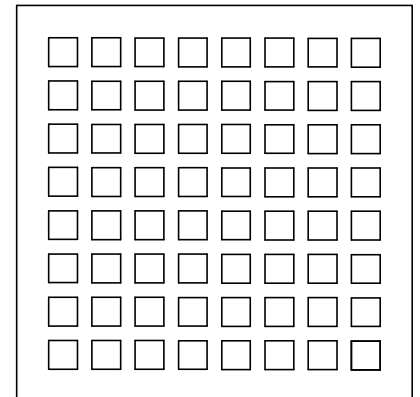


Figure 3. GRID PATTERN



OPEN AREA = 8.95 in<sup>2</sup>



California Faucets®

# Mission Style Drain®

2" & 3" ABS DRAIN BODY, THROAT, & GRID

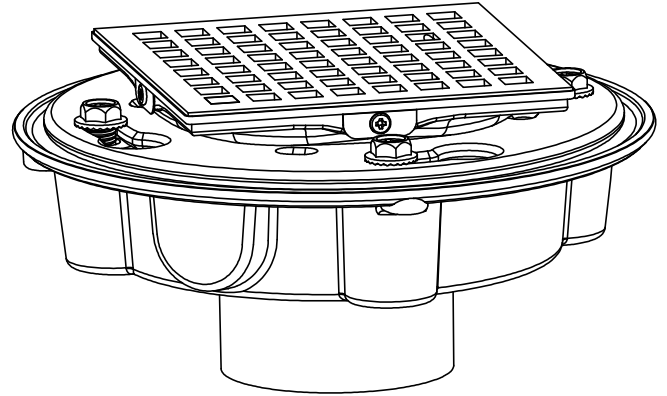
9172-ABS

## Suggested Uses

- Shower Drain
- Patio Drain
- Atrium Drain
- Other wetted area floor drains

## Features

- All brass decorative grid drain with no visible surface screws
  - Surface is foot friendly - will not dish or bend
  - Square design for easy floor design and installation
  - Rugged black ABS construction - Drain Body
  - Reversible membrane collar with weep holes to accommodate a variety of tile installations
  - 2" & 3" ABS solvent joint connections
  - Compatible with all StyleDrain Decorative Trim Grids
- For complete selection, see [www.calfaucets.com](http://www.calfaucets.com)



## Codes/Standards Applicable

- Specified model meets or exceeds the following:
- ASME A112.18.2/CSA B125.2

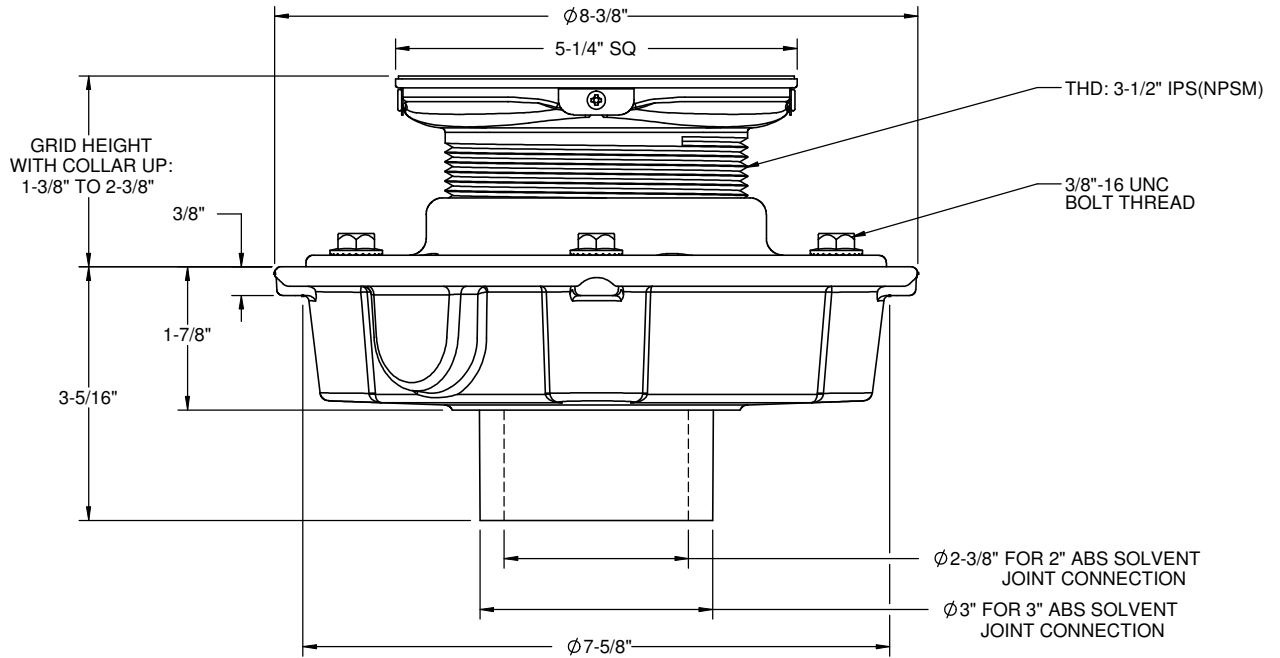


Figure 1. COLLAR IN UP POSITION

Figure 2. COLLAR IN DOWN POSITION

DIMENSIONS SHOWN TO NEAREST 1/16"

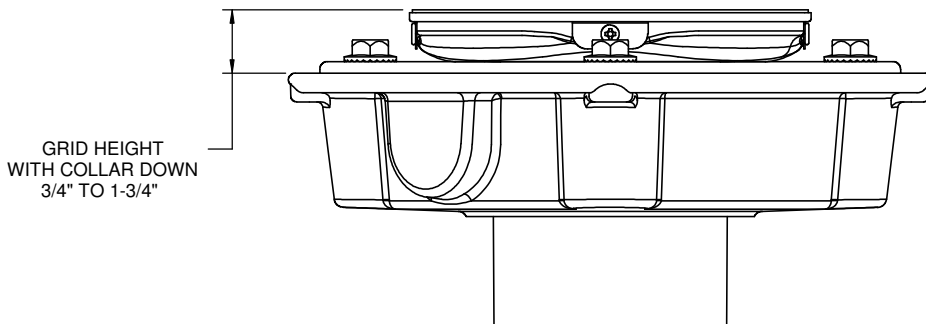
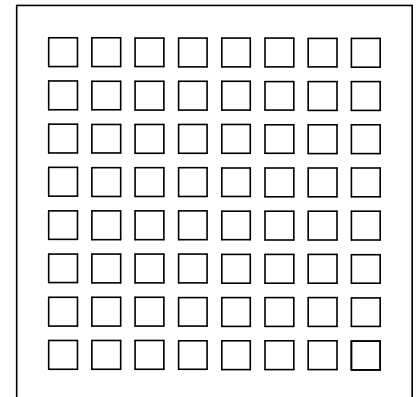
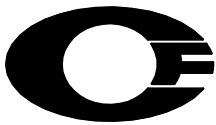


Figure 3. GRID PATTERN



OPEN AREA = 8.95 in<sup>2</sup>



California Faucets®

# Mission StyleDrain®

2" PVC DRAIN BODY, THROAT, & GRID

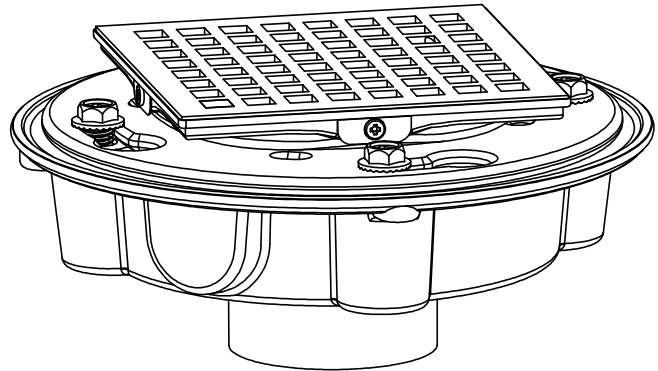
9172-PVC-2

## Suggested Uses

- Shower Drain
- Patio Drain
- Atrium Drain
- Other wetted area floor drains

## Features

- All brass decorative grid drain with no visible surface screws
  - Surface is foot friendly - will not dish or bend
  - Square design for easy floor design and installation
  - Rugged white PVC construction - Drain Body
  - Reversible membrane collar with weep holes to accommodate a variety of tile installations
  - 2" PVC solvent joint connection
  - Compatible with all StyleDrain Decorative Trim Grids
- For complete selection, see [www.calfaucets.com](http://www.calfaucets.com)



## Codes/Standards Applicable

- Specified model meets or exceeds the following:
- ASME A112.18.2/CSA B125.2

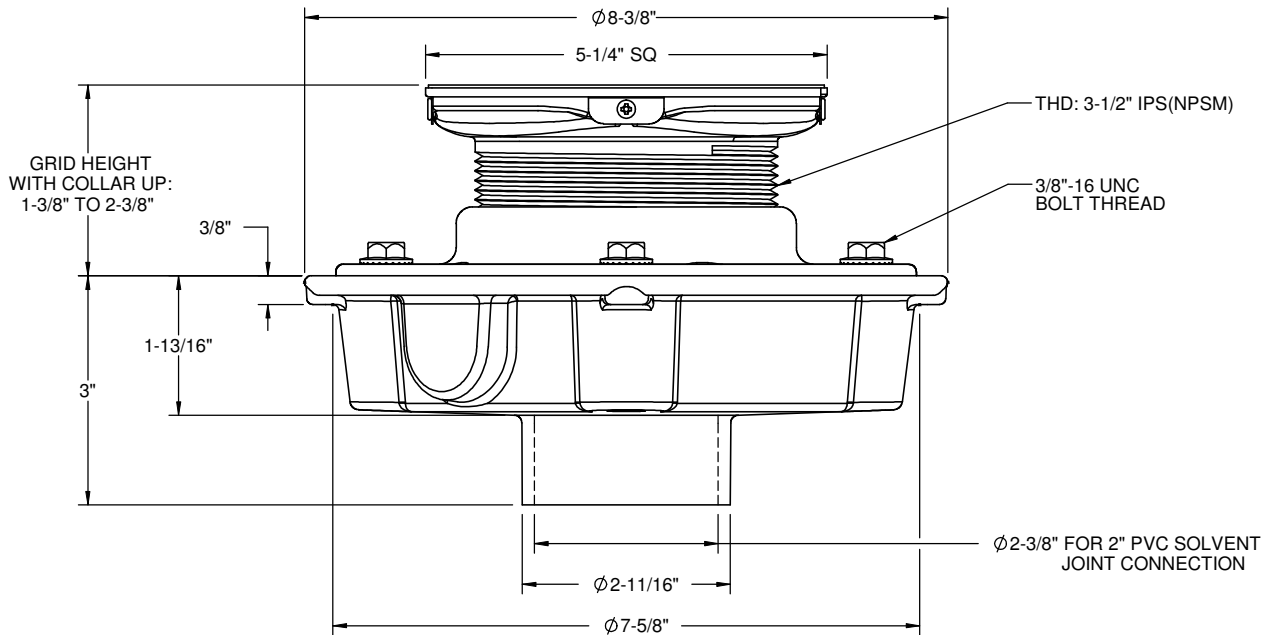
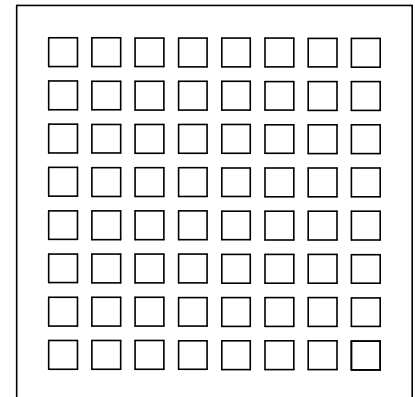
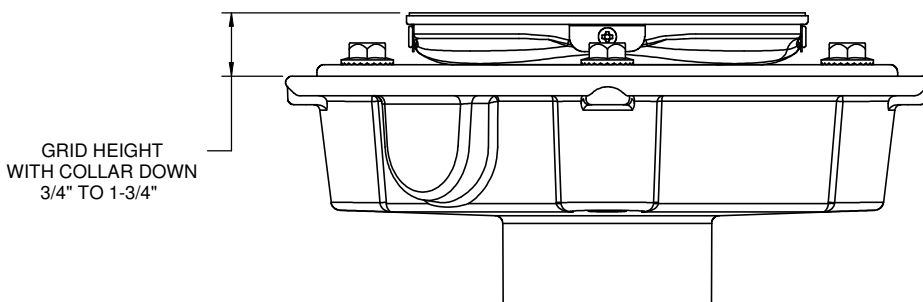


Figure 1. COLLAR IN UP POSITION

Figure 2. COLLAR IN DOWN POSITION

DIMENSIONS SHOWN TO NEAREST 1/16"

Figure 3. GRID PATTERN



OPEN AREA = 8.95 in<sup>2</sup>