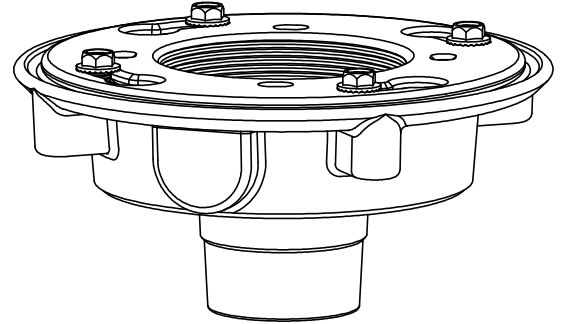


Features

- Rugged cast iron construction with protective coating
- Corrosion resistant bolts
- Reversible membrane collar with weep holes to accommodate a variety of tile installations
- 2" No-Hub connection
- Compatible with **9178** Brass Drain Throat and all StyleDrain Decorative Trim Grids. For complete selection, see www.calfaucets.com



Codes/Standards Applicable

- Specified model meets or exceeds the following:
- ASME A112.18.2/CSA B125.2

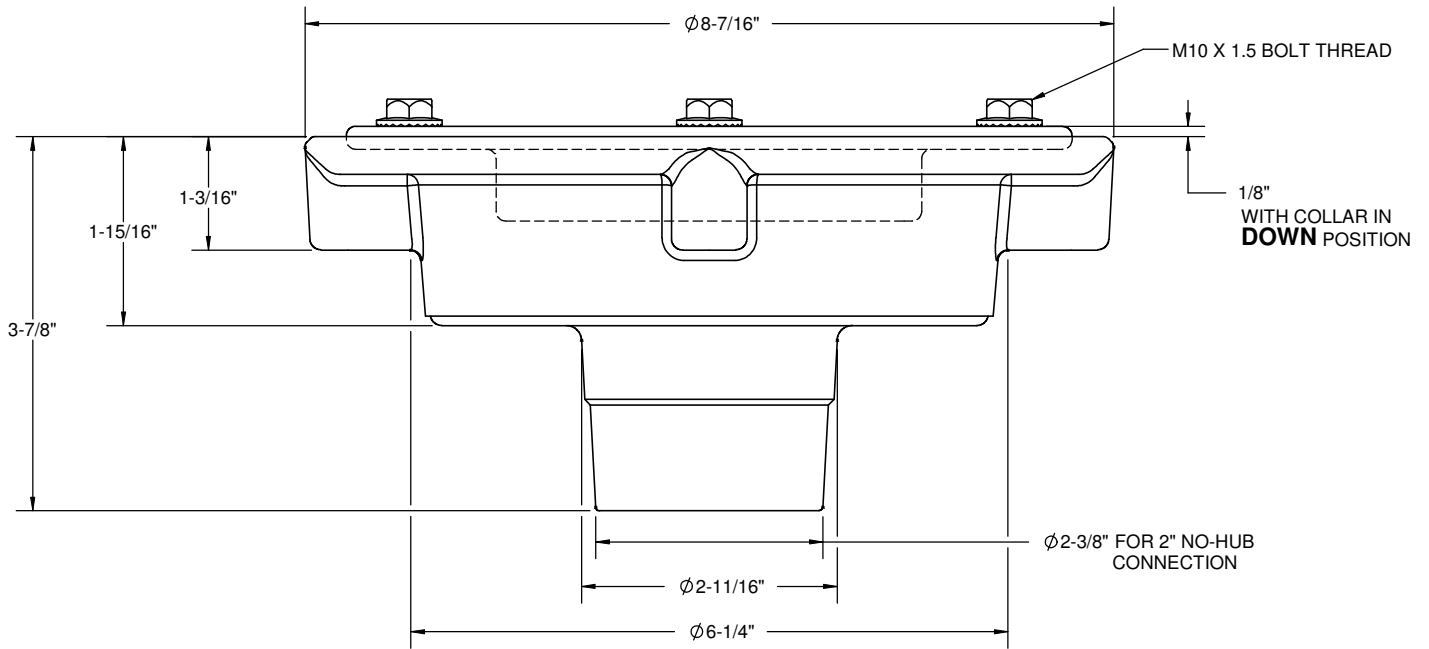
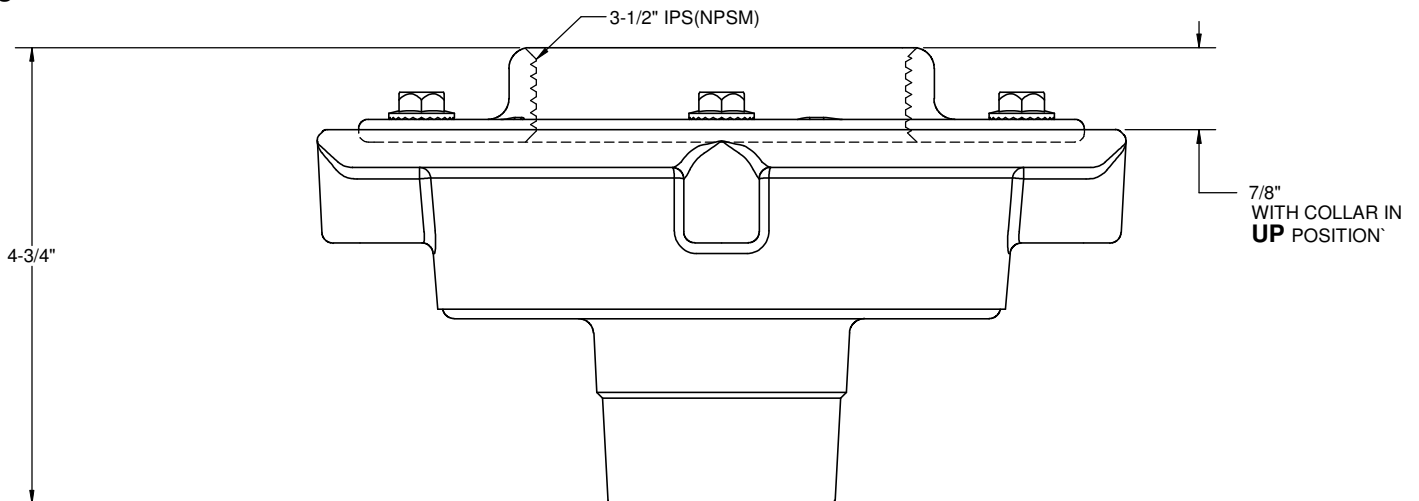


Figure 1. COLLAR IN DOWN POSITION

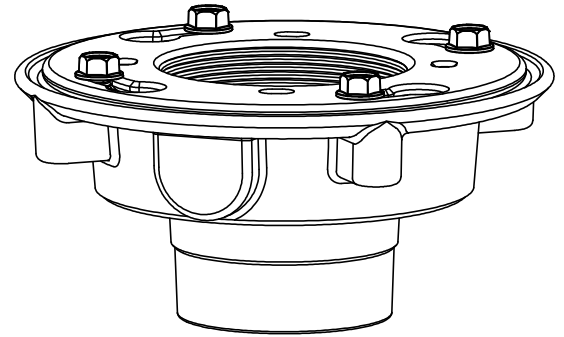
DIMENSIONS SHOWN TO NEAREST 1/16"

Figure 2. COLLAR IN UP POSITION



Features

- Rugged cast iron construction with protective coating
- Corrosion resistant bolts
- Reversible membrane collar with weep holes to accommodate a variety of tile installations
- 3" No-Hub connection
- Compatible with **9178** Brass Drain Throat and all StyleDrain Decorative Trim Grids. For complete selection, see www.calfaucets.com



Codes/Standards Applicable

- Specified model meets or exceeds the following:
- ASME A112.18.2/CSA B125.2

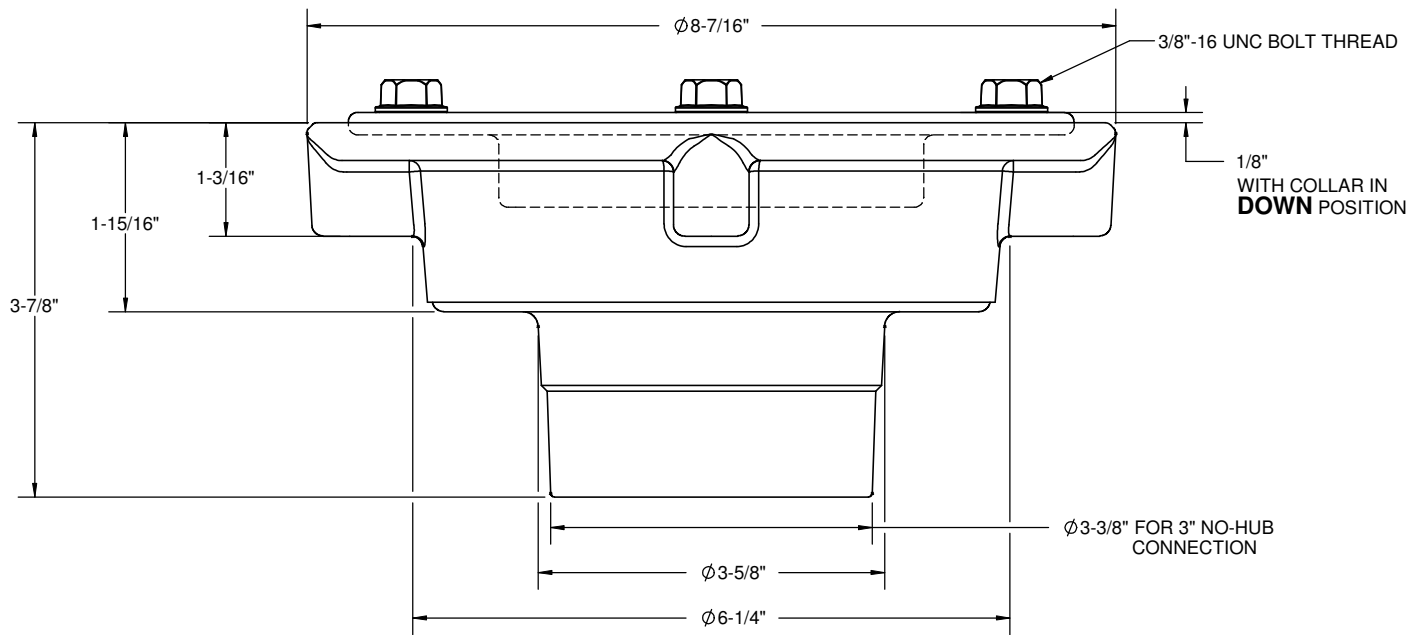
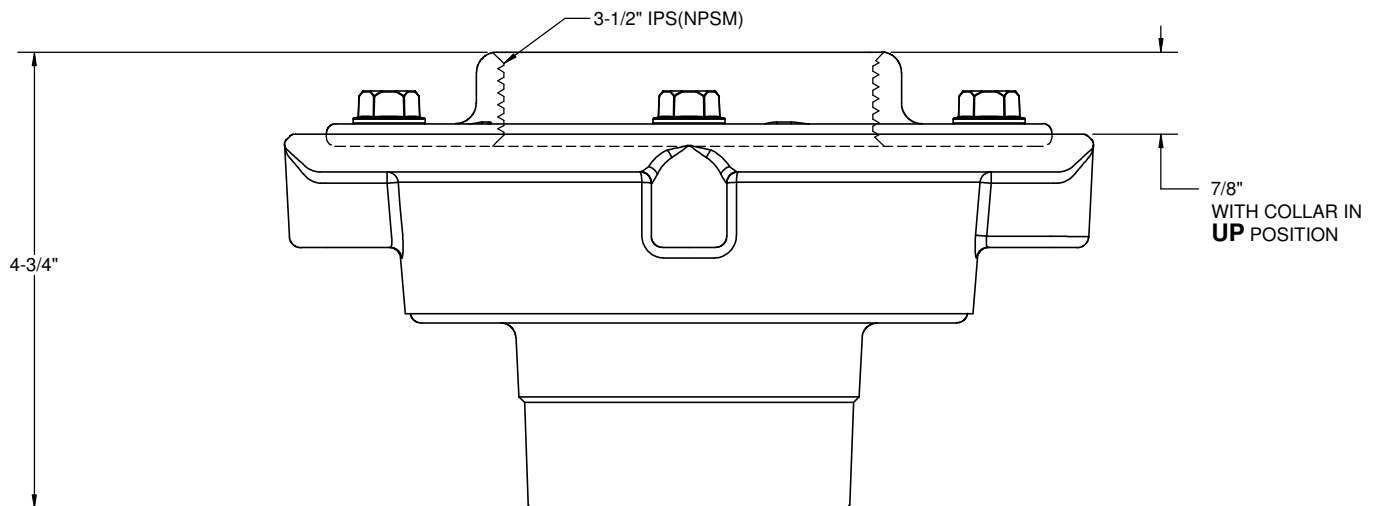


Figure 1. COLLAR IN DOWN POSITION

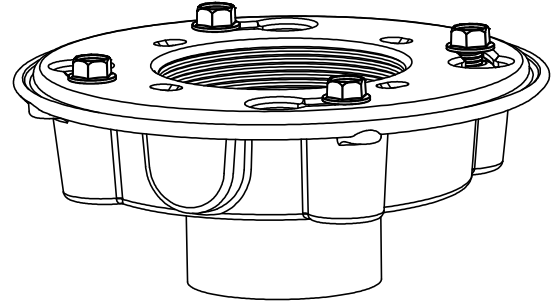
DIMENSIONS SHOWN TO NEAREST 1/16"

Figure 2. COLLAR IN UP POSITION



Features

- Rugged black ABS construction - Drain Body
- Corrosion resistant mounting inserts and bolts
- Reversible membrane collar with weep holes to accommodate a variety of tile installations
- 2" & 3" ABS solvent joint connections
- Compatible with **9178** Brass Drain Throat and all StyleDrain Decorative Trim Grids. For complete selection, see www.calfaucets.com



Codes/Standards Applicable

- Specified model meets or exceeds the following:
- ASME A112.18.2/CSA B125.2

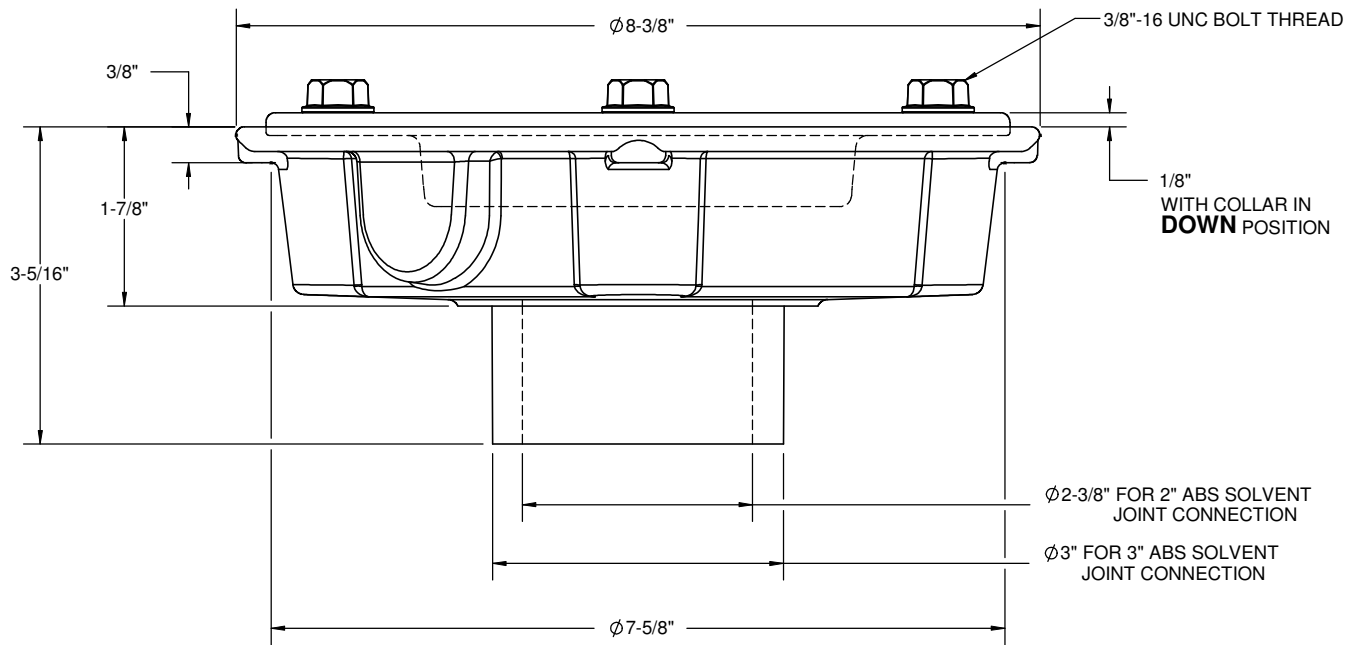
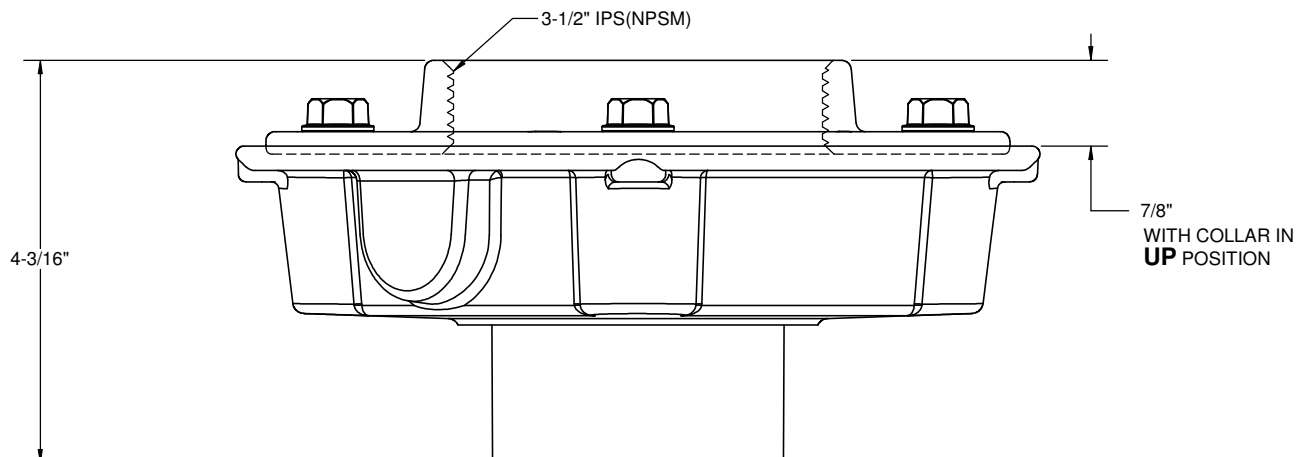


Figure 1. COLLAR IN **DOWN** POSITION

DIMENSIONS SHOWN TO NEAREST 1/16"

Figure 2. COLLAR IN **UP** POSITION





California Faucets®

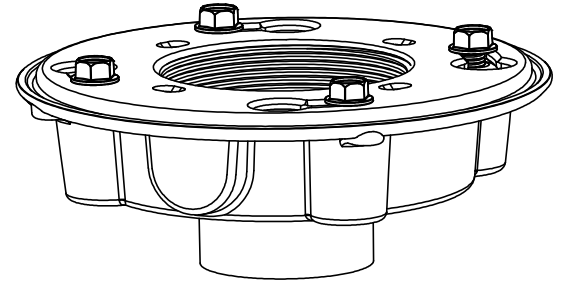
9179-PVC-2

StyleDrain™

DELUXE DRAIN BODY, 2" PVC

Features

- Rugged white PVC construction - Drain Body
- Corrosion resistant mounting inserts and bolts
- Reversible membrane collar with weep holes to accommodate a variety of tile installations
- 2" PVC solvent joint connection
- Compatible with **9178** Brass Drain Throat and all StyleDrain Decorative Trim Grids. For complete selection, see www.calfaucets.com



Codes/Standards Applicable

- Specified model meets or exceeds the following:
- ASME A112.18.2/CSA B125.2

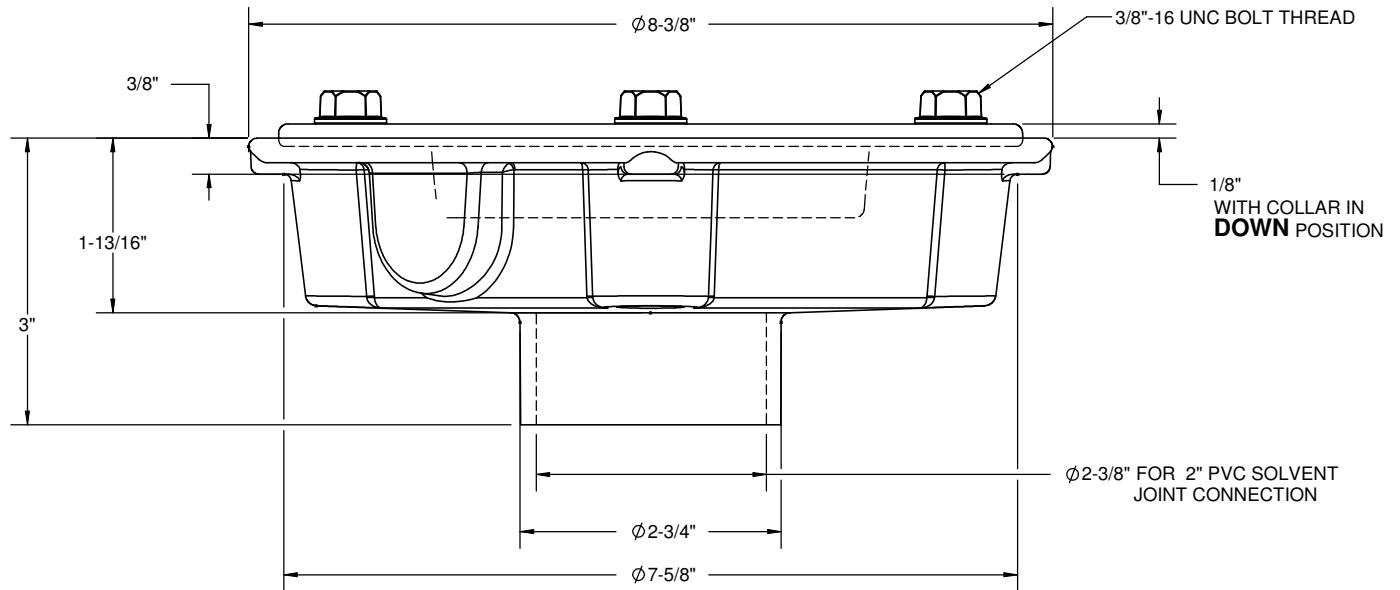


Figure 1. COLLAR IN **DOWN** POSITION

DIMENSIONS SHOWN TO NEAREST 1/16"

Figure 2. COLLAR IN **UP** POSITION

