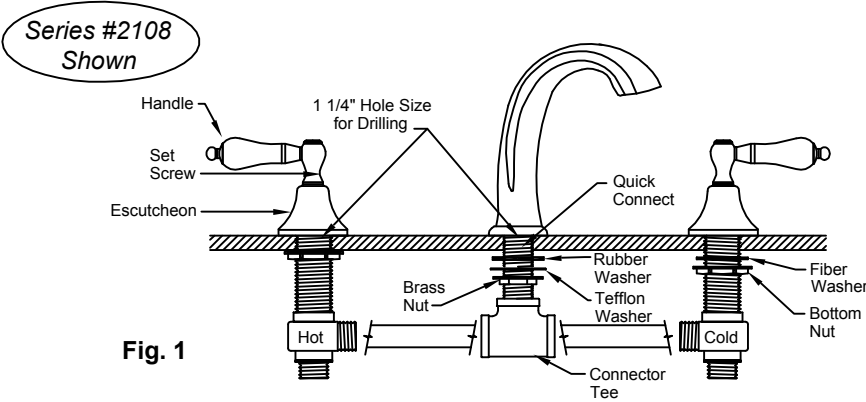
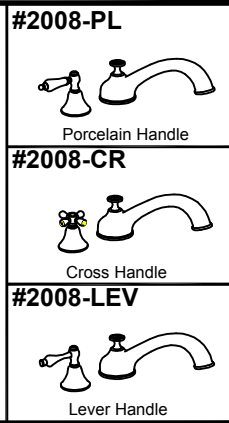


### IMPORTANT

All *California Faucets* products are engineered to provide quality performance provided they are installed and operated properly. To fully enjoy the comfort, safety, and reliability of your new Roman Tub Set, please follow the instructions below.

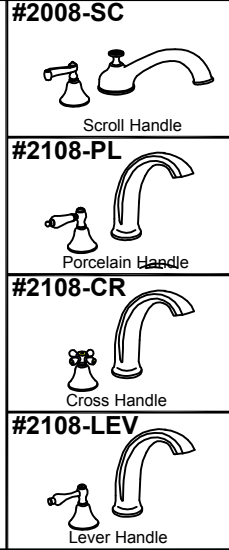
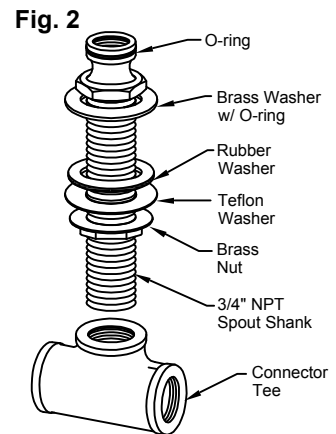


**NOTE:**  
 -The manufacturer recommends the use of hard piping (not flex connections) for all connections.  
 -It is also recommended that an access panel be provided for all Roman Tub installations.

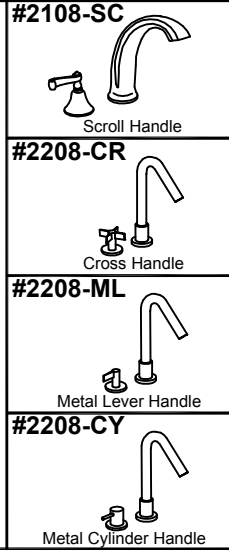
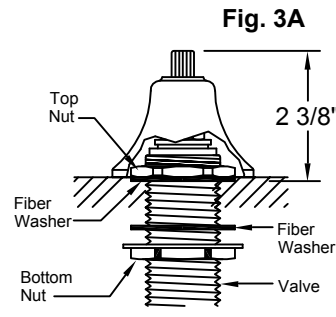


**\*\*\*NOTE: SHUT OFF WATER SUPPLY BEFORE BEGINNING INSTALLATION\*\*\***

- 1 Install spout:**
- Remove tee, bottom brass nut, teflon washer and rubber washer from Quick Connect assembly.
  - Ensure that O-ring is properly seated in the brass washer. ( See Fig. 3 )
  - Insert Quick Connect assembly through spout hole in deck.
  - Quick connector spout shank may need to be shortened at time of installation. This will vary by series type & installation conditions.**
  - Re-install rubber washer, teflon washer and brass nut from underneath deck and tighten firmly.
  - Seat spout onto Quick Connect
  - Ensure spout is in the proper position, then tighten set screw at base of spout.
  - Apply approximately three to five wraps of teflon tape to spout shank. Thread on tee and tighten firmly. Align as necessary.



- 2A Install valve bodies:**  
**For series 20 & 21**
- NOTE:** Hot & cold valves are labeled: cold=blue & hot=red.
- Loosen handle set screws with Allen key provided. Remove handle, escutcheon, top nut & fiber washer. Turn bottom nut with fiber washer down the valve until stops, (repeat for other valve).
  - Insert valve through hole from below and install fiber washer, top nut, and adjust to proper height. ( See Fig. 3 ), (repeat for other valve).
  - Tighten the bottom nuts to secure the valves onto sink or countertop.
  - Install trim parts escutcheons and handles and tighten handle set screws with allen key provided.
- Reminder: Please retain Allen key as handles may require re-tightening with normal use.**



**NOTE: Due to sediment in the water it may be necessary on occasion to remove the aerator and clean the screen with a soft bristle toothbrush.**

**IMPORTANT CLEANING NOTICE**  
 Please refer to *Finish Care Instructions* for complete cleaning information. Wipe frequently with a soft, damp cloth. **Never use acids, harsh abrasives or detergents.**

**2B****Install valve bodies:  
For series 22**

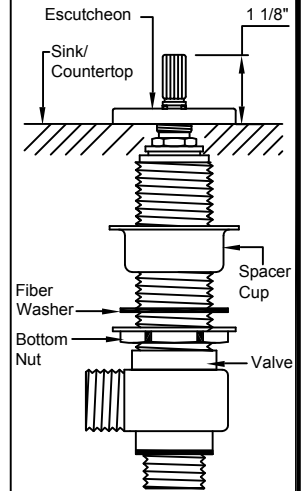
**NOTE:** Hot & cold valves are labeled: cold=blue & hot=red.

- Loosen handle set screws with Allen key provided. Remove handle, escutcheon, and spacer cup. Turn bottom nut with fiber washer down the valve until stops and place spacer cup with flange up back onto the valve body, (repeat for other valve).
- Insert valve through hole from below and install the escutcheon and adjust to proper height, (**See Fig. 3B**). Then place handle onto valve broach to verify correct clearance between handle and escutcheon, (repeat for other valve).
- Align handle in desired position and tighten the bottom nut to secure the valve, (repeat for other valve).
- Install handles and tighten handle set screws with Allen key provided.

**Reminder: Please retain Allen key as handles may require re-tightening with normal use.**

**Installation Note for series: #22**

The trims to these products do not require a top nut & a fiber washer to be installed on the valve, the escutcheon takes the place of the top nut, (**See Fig. 3B**)

**Fig. 3B****3****Piping:**

- Install piping (not provided) to connect hot & cold valves to connector tee (**See Fig. 1**).

**NOTE:**

- The manufacturer recommends the use of hard piping (not flex connections) for all connections.
- It is also recommended that an access panel be provided for all Roman Tub installations.