

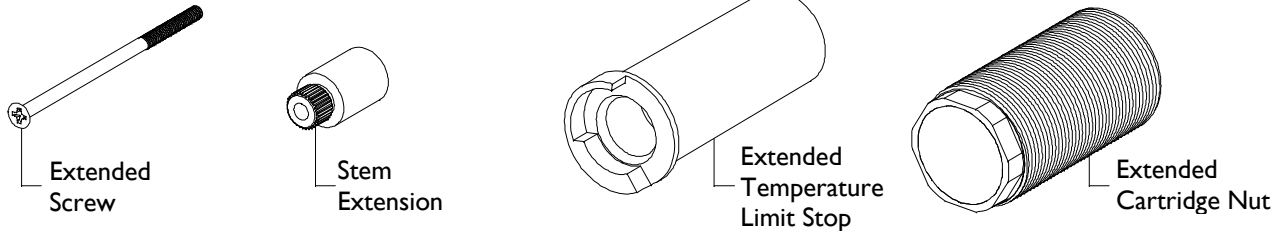
StyleTherm™

TH-EXT-1

3/4" Extension Kit for Thermostatic Valve TH51-R, TH52-R or TH75-R Installation Instructions

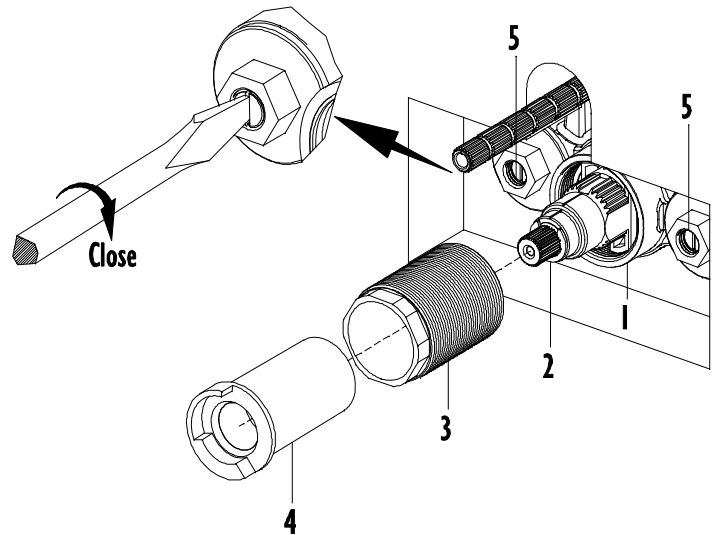
CALIFORNIA FAUCETS RECOMMENDS THAT ALL PLUMBING PRODUCTS BE INSTALLED BY A LICENSED PROFESSIONAL

If thermostatic trim does not attach to the installed valve because the valve is positioned too far into the finished wall, this extension kit will extend the valve's cartridge nut an additional 3/4" maximum and allow installation of originally supplied trim. Kit parts shown below:



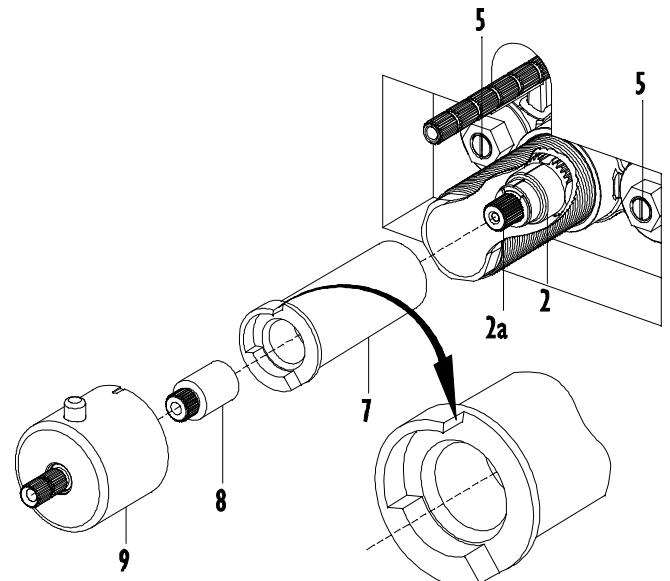
1 REMOVE SUPPLIED CARTRIDGE NUT

- Shut off water supply to thermostatic cartridge by turning hot & cold SERVICE STOP SCREW (5) clockwise (inward) until screw stops
- Remove plastic TEMPERATURE LIMIT STOP (4) from THERMOSTATIC CARTRIDGE (2)
- Remove CARTRIDGE NUT (3) from the BODY (1)



2 INSTALL EXTENSION KIT

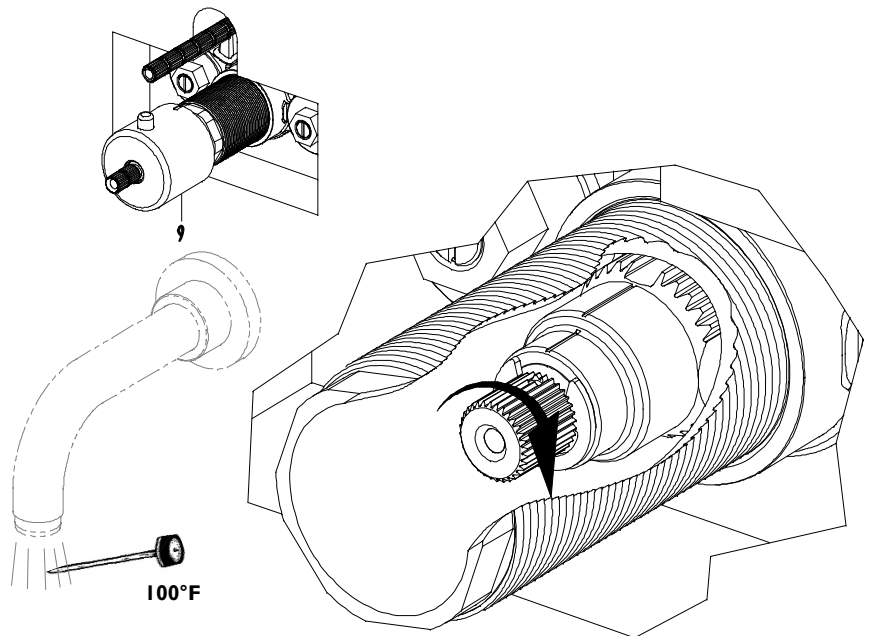
- Install EXTENDED CARTRIDGE NUT (6) onto BODY (1) and tighten to 10 ft-lbs
- Fully open water supply to thermostatic cartridge by turning hot & cold SERVICE STOP SCREW (5) counter-clockwise (outward) until screw stops
- Push plastic EXTENDED TEMPERATURE LIMIT STOP (7) onto THERMOSTATIC CARTRIDGE (2) as shown
- Temporarily place STEM EXTENSION (8) and BONNET (9) onto THERMOSTATIC CARTRIDGE STEM (2a)



3 TEMPERATURE SETTING

- Open stop/volume control valve to one output device
- Use temperature measuring device to confirm temperature is 100°F when BONNET (9) button is positioned straight up at 12 o'clock
- When button on BONNET (9) is depressed and rotated full left (CCW), the maximum temperature discharged from valve will be 115°F (**Note:** Follow all applicable local plumbing codes when setting maximum discharge water temperature)
- Carefully remove BONNET (9) and place aside until trim is installed

Note: If temperature is not 100°F with BONNET (9), button at 12 o'clock, the CARTRIDGE STEM (2a) must be rotated to change temperature setting (clockwise (CW) for cooler & counter-clockwise (CCW) for warmer)

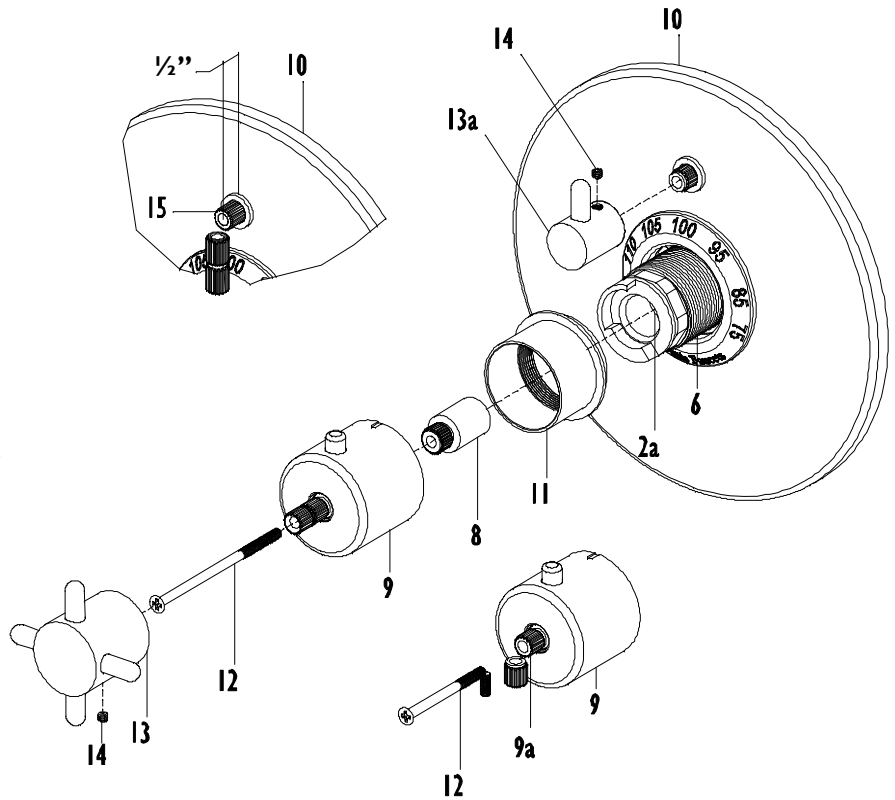


Rotate CW for Cooler (shown)
Rotate CCW for Warmer

4 INSTALL TRIM

- Position FACEPLATE (10) onto EXTENDED CARTRIDGE NUT (6) as shown
- Install SLEEVE (11) onto EXTENDED CARTRIDGE NUT (6) and tighten to secure FACEPLATE (10) against shower wall
- Place STEM EXTENSION (8) and BONNET (9) onto THERMOSTATIC CARTRIDGE STEM (2a)
- Secure BONNET (9) with SCREW (12)
- Place HANDLE (13) onto BONNET (9) and tighten handle SETSCREW (14)

Note: Depending on handle style, it may be necessary to cut BONNET STEM (9a) and SCREW (12) to allow HANDLE (13) to fully seat against BONNET (9)



Proceed to the following for StyleTherm valves:

TH51-R with single volume control

TH52-R with dual volume controls

- Cut VOLUME CONTROL STEM (15), 1/2" from surface of FACEPLATE (10)
- Place VOLUME CONTROL HANDLE (13a) onto VOLUME CONTROL STEM (15) and tighten SETSCREW (14)

www.calfaucets.com

5231 Argosy Ave. Huntington Beach, CA 92649
800-822-8855