



California Faucets®

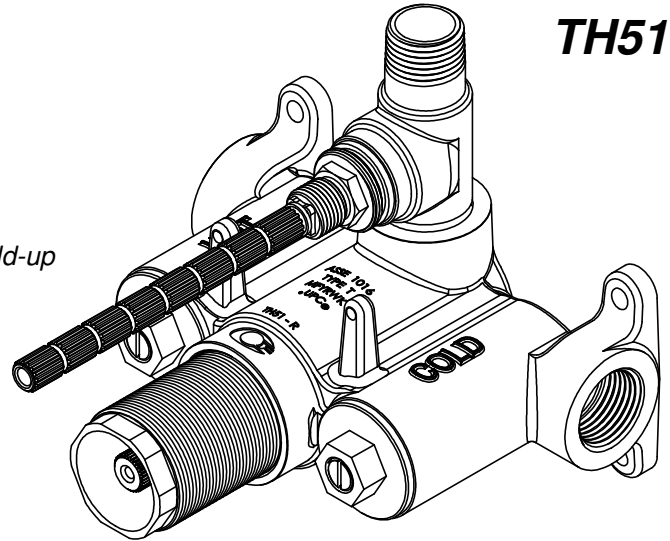
StyleTherm™

1/2" Thermostatic Valve w/ Single Volume Control (Rough)

Features

- Forged brass valve body construction
- 1/2" NPT connections (2 inlet & 1 outlet)
- Flow rate: 10 gpm (37.9 L/m) @ 60 psi
- Integral service stops
- Built-in check valves to prevent crossflow
- Single-handle temperature mixing
- Thermostatic anti-scald protection
- Genuine Vernet® mixing cartridge featuring
 - Thermoplastic polymer construction to limit limescale build-up
 - Integrated filter screens
 - Paraffin wax element
- Single integral shut-off/volume control valve

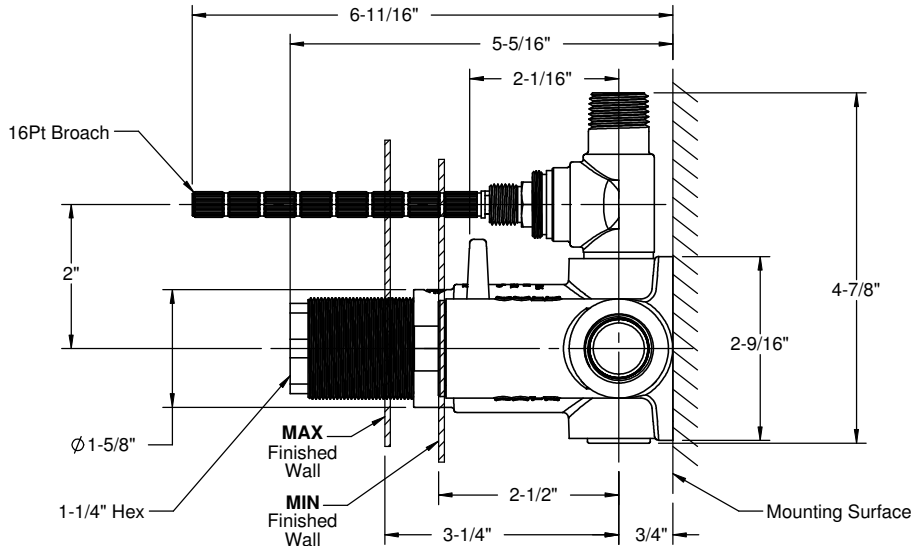
TH51-R



Codes/Standards Applicable

Specified model meets or exceeds the following:

- ASME A112.18.1-2005/CSA B125.1-05
- ASSE 1016
- ADA (with lever handles)
- Listed IAPMO/cUPC®



SIDE VIEW

FRONT VIEW

ALL DIMENSIONS SHOWN TO NEAREST 1/16"

