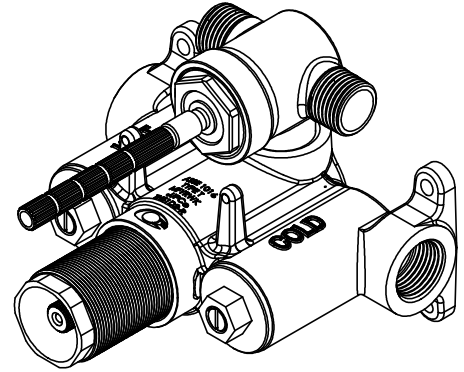




TH51D2-R

Features

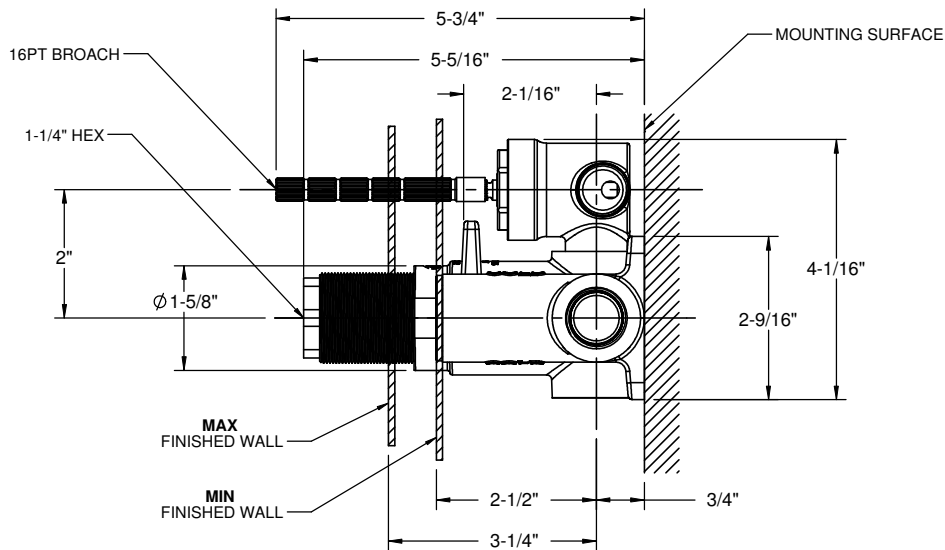
- Forged brass valve body construction
- 1/2" FIP, 2 Inlet and 1/2" MIP or 1/2" Nominal Sweat - 2 Outlet
- Flow rate: 7.25 gpm (27.4 L/m) @ 45 psi from each outlet
- Integral service stops
- Built-in check valves to prevent crossflow
- Single-handle temperature mixing
- Thermostatic anti-scald protection
- Genuine Vernet® mixing cartridge featuring
 - Thermoplastic polymer construction to limit limescale build-up
 - Integrated filter screens
 - Paraffin wax element
- Dual outlet integral diverter control valve
- Each outlet is fully volume controllable, full-off at 12 o'clock position; quarter-turn left or right to open each outlet
- Compatible with all single volume control trim sets (TO-TH1 or TO-THC1)



Codes/Standards Applicable

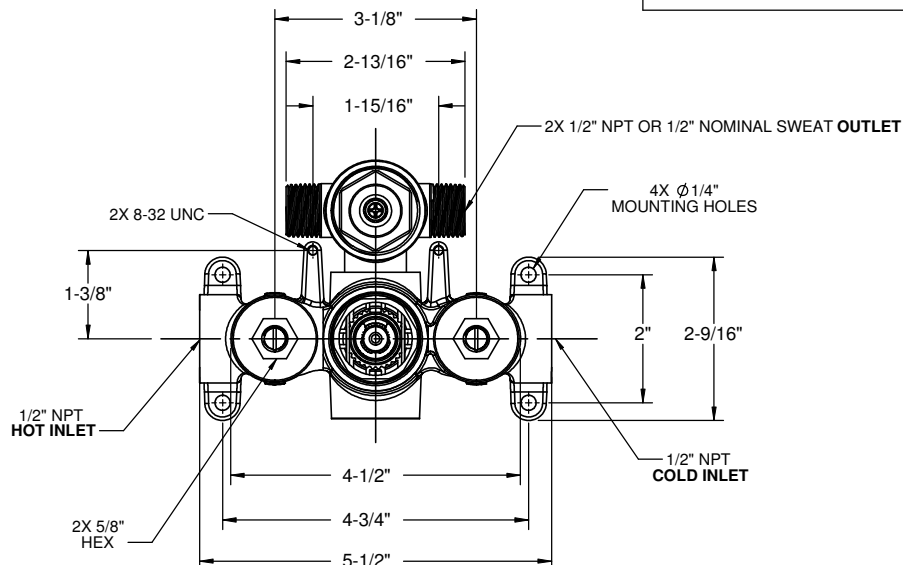
Specified model meets or exceeds the following:

- ASME A112.18.1-2005/CSA B125.1-05
- ASSE 1016
- ADA (with lever handles)



SIDE VIEW

FRONT VIEW



ALL DIMENSIONS SHOWN TO NEAREST 1/16"