



### TH75-R

### Features

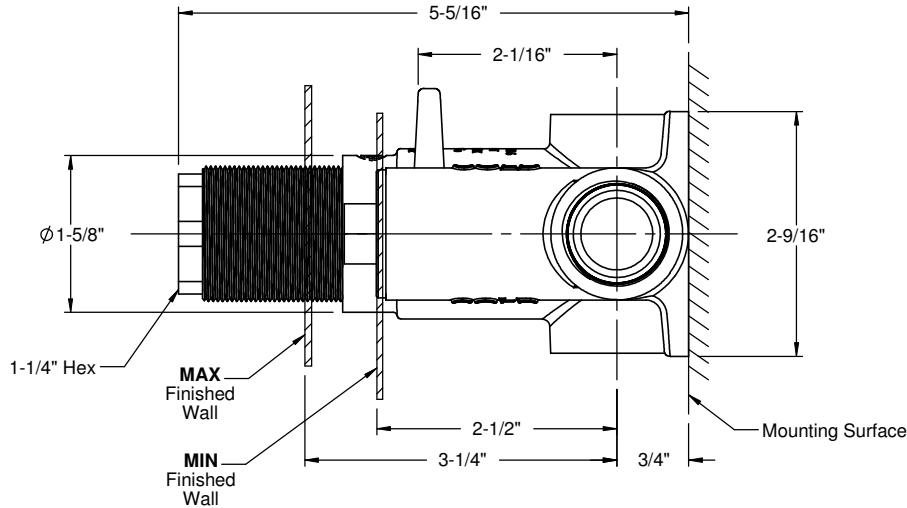
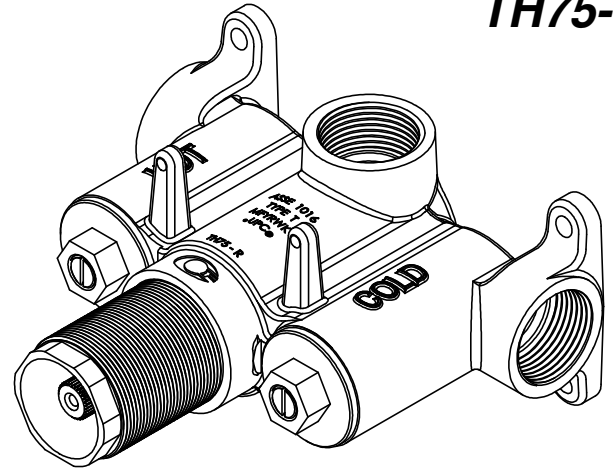
- Forged brass valve body construction
- 3/4" NPT connections (2 inlet & 2 outlet)
- High-flow rate: 18.2 gpm (68.9 L/m) @ 60 psi
- Integral service stops
- Built-in check valves to prevent crossflow
- Single-handle temperature mixing
- Thermostatic anti-scald protection
- Genuine Vernet® mixing cartridge featuring
  - Thermoplastic polymer construction to limit limescale build-up
  - Integrated filter screens
  - Paraffin wax element

**NOTE: Requires separate shut-off/volume control valve(s)**

### Codes/Standards Applicable

Specified model meets or exceeds the following:

- ASME A112.18.1-2005/CSA B125.1-05
- ASSE 1016
- ADA (with lever handles)
- Listed IAPMO/cUPC®



SIDE VIEW  
FRONT VIEW

ALL DIMENSIONS SHOWN TO NEAREST 1/16"

