



California Faucets®

StyleTherm®

THERMOSTATIC ADA HANDLES

Features

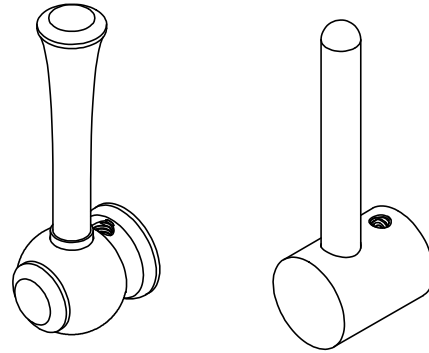
- Over 30 finishes including 12 PVD finishes
- All brass construction
- ADA compliant levers

Codes/Standards Applicable

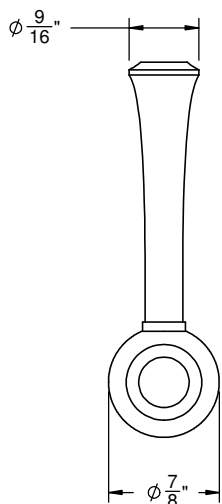
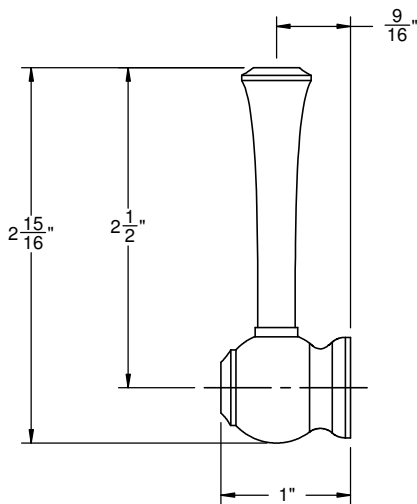
Meets or exceeds the following at date of manufacture:

- ASME A112.18.CSA B125.
- ADA

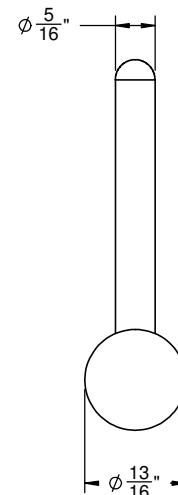
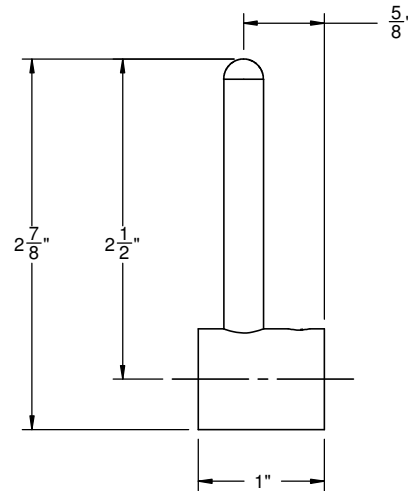
THADAC/T



TRADITIONAL



CONTEMPORARY



ALL DIMENSIONS SHOWN TO NEAREST 1/16"