



California Faucets®

Tel: 714-891-7797
Fax: 714-891-2478
Toll Free: 800-822-8855
www.calfaucets.com

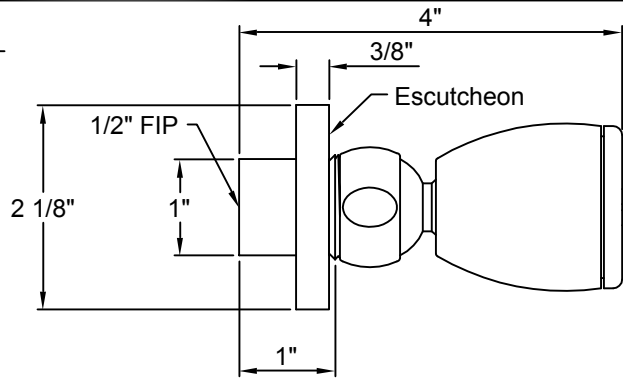
BODY SPRAYS



All California Faucets lever and blade handle products are American Disability Act (ADA) compliant.

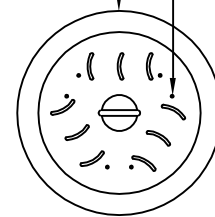
California Faucets reserves the right to make modification and specification changes at any time. Please verify dimensions prior to installation. Visit www.calfaucets.com for most current technical data.

RB-01



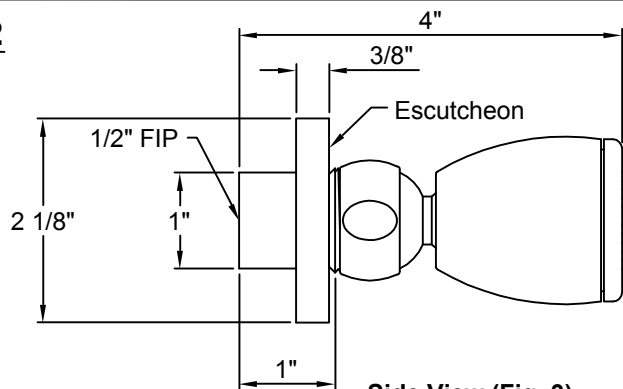
Side View (Fig. 1)

Escutcheon Sprayers



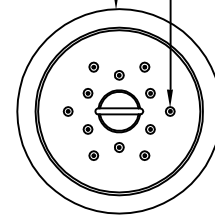
Front View (Fig. 2)

RB-02



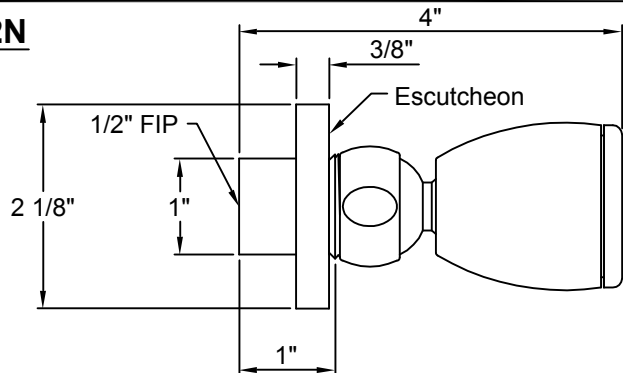
Side View (Fig. 3)

Escutcheon Sprayers



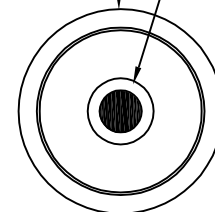
Front View (Fig. 4)

RB-02N



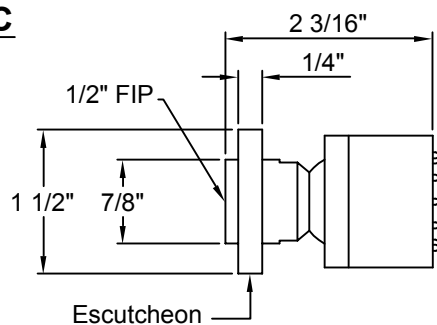
Side View (Fig. 5)

Escutcheon Nebulizer
Sprayer



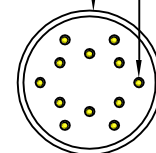
Front View (Fig. 6)

RB-02C



Side View (Fig. 7)

Escutcheon Sprayers



Front View (Fig. 8)