



**9205-40**

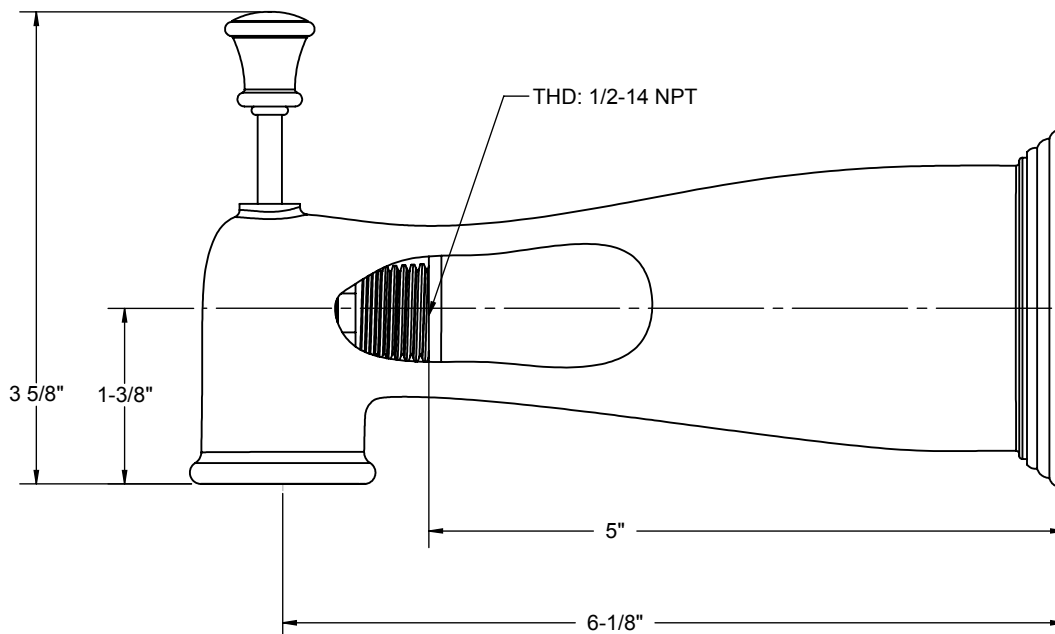
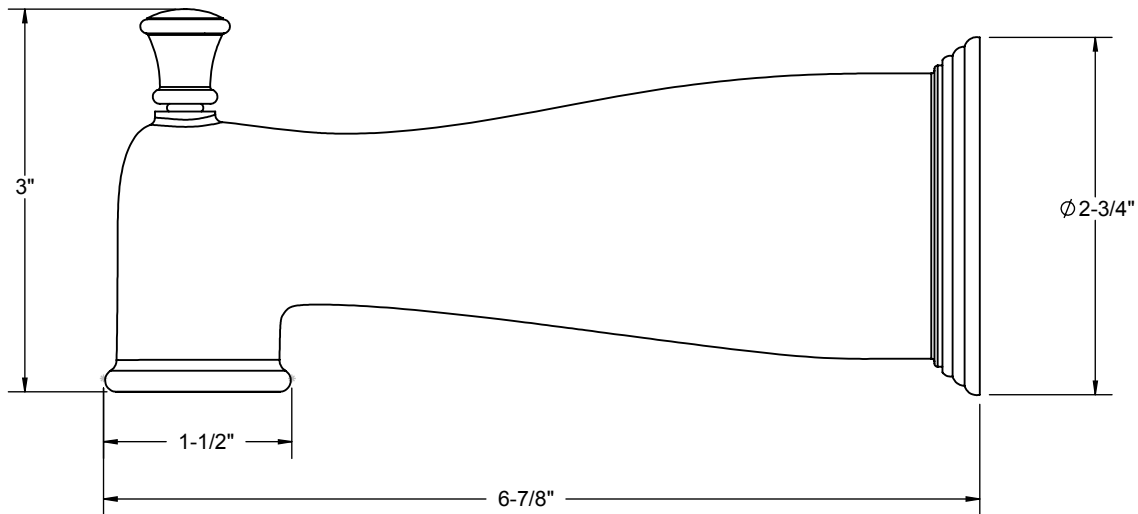
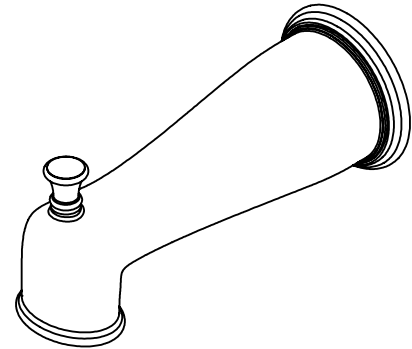
### Features

- Available in over 30 finishes including 11 PVD finishes
- All brass construction
- 6" spout reach
- 1/2" NPT inlet

### Codes/Standards Applicable

Specified model meets or exceeds the following:

- ASME A112.18.1/CSA B125.1



DIMENSIONS SHOWN TO NEAREST 1/16"