



California Faucets®

Tel: 714-891-7797
Fax: 714-891-2478
Toll Free: 800-822-8855
www.calfaucets.com

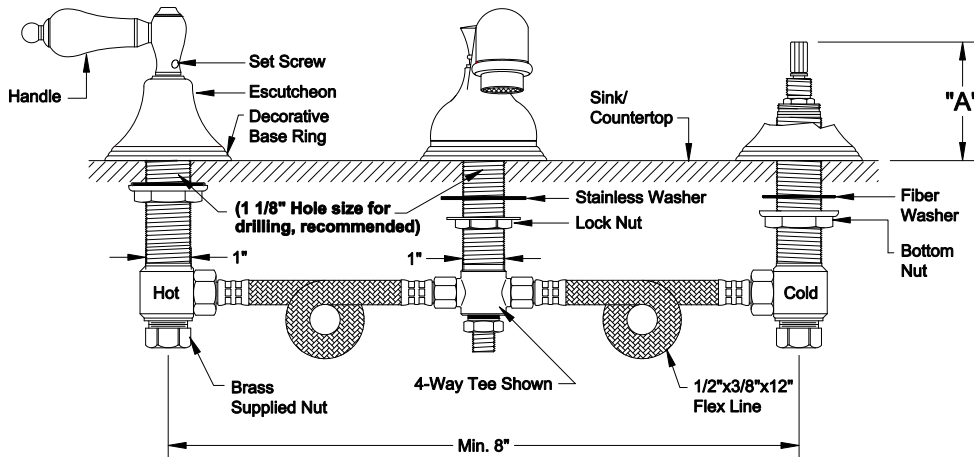
WIDESPREAD FAUCETS

**INSTALLATION
INSTRUCTIONS**

IMPORTANT

All California Faucets® products are engineered to provide quality performance provided they are installed and operated properly. To fully enjoy the comfort, safety, and reliability of your new Widespread Faucet, please follow the instructions below.

California Faucets reserves the right to make modification and specification changes at any time. Please visit www.calfaucets.com for most current technical data.



All Widespread faucets meet ASME A112.18.1-2005/CSA B125.1-05
Maximum flow rate: 1.5 gpm (5.7 L/min)

"A" DIMENSION			
"A" Dimension is from sink/countertop to tip of stem broach			
Handle Series #	"A"	Handle Series #	"A"
32	2 3/8"	53	2 1/4"
33	2 3/8"	55	2 5/8"
34	2 3/8"	57	2"
35	2 3/8"	58	2 5/8"
36	2 3/8"	59	2 5/8"
38	2 5/8"	60	2 1/4"
40	2 5/8"	61	2 1/4"
42	2 5/8"	63	3"
43	2 1/4"	64	2 5/8"
46	2 1/2"	65	2 1/8"
47	2 1/2"	66	2 1/8"
50	2 1/4"	67	2 1/4"
51	2 1/2"	68	2 3/8"
52	2 5/8"	69	2 3/8"

Fig. 1

NOTE: SHUT OFF WATER SUPPLY BEFORE BEGINNING INSTALLATION

1

Install spout according to the type of tee it has:

For spout with 4-way tee:

- Remove the Tee, Flange Nut and Stainless Steel Washer.
- Insert the spout through center hole of the sink or countertop.
- Place Washer and Flange Nut onto Shank from below. Align spout and tighten Flange Nut until Spout is firmly in place.
- With O-Ring in place on end of Shank, slide Tee onto Shank.
- Place the Rubber Washer, Brass Washer and Nut onto Nipple and tighten.

OR

For spout with 3-way tee:

- Remove the tee, lock nut and notched washer.
- Insert the spout through center hole of the sink or countertop.
- Slip the notched washer over spout shank. Align notch for pop-up rod to pass through, then thread lock nut onto the spout shank. Align spout and tighten nut firmly.
- Place white washer into top of tee and screw assembly onto spout shank.
- Insert lift rod through top of spout

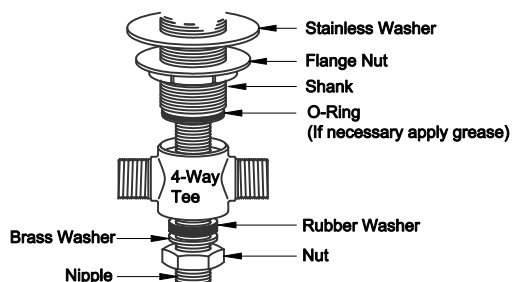


Fig. 2

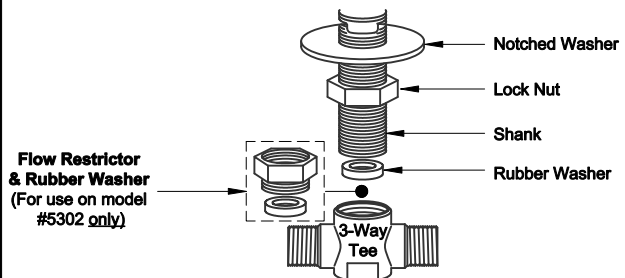


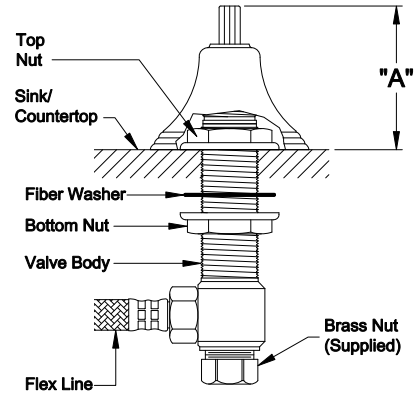
Fig. 3

NOTE: Due to sediment in the water it may be necessary on occasion to remove the aerator and clean the screen with a soft bristle toothbrush.

IMPORTANT CLEANING NOTICE
Please refer to *Finish Care Instructions* for complete cleaning information. Wipe frequently with a soft, damp cloth. **Never use acids, harsh abrasives or detergents.**

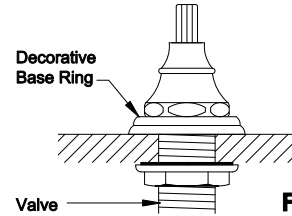
2**Install valve bodies:****NOTE:** Hot & cold valves are labeled: *cold=blue & hot=red.*

- Remove top nut and turn bottom nut with fiber washer down the valve until it stops.
 - Insert valve through hole from below and install top nut (if applicable), and adjust to proper height, see Fig. 4A (also refer to "A" dimension table on page 1).
 - Tighten the bottom nut to secure the valve.
 - Install trim parts (base ring if applicable), escutcheon and handle and tighten handle set screws with Allen key provided.
- REMINDER: Please retain allen key as handles may require re-tightening with normal use.**
- Attach flex lines to valve and spout tee. Hand-tighten. Then go 1/4 to 1/2 turn more with wrench (not supplied). Do not overtighten.

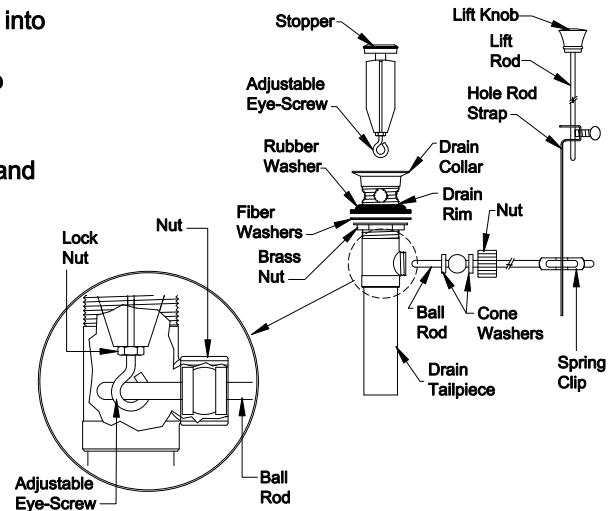
**Fig. 4A****Installation Note for series:****# 32, 33, 34, 35, 36, 43, 57, 60, 61, 65, 66, 67, 68 & 69.**

The trim to those products do not require a top nut to be installed on the valve (See Fig. 4A)

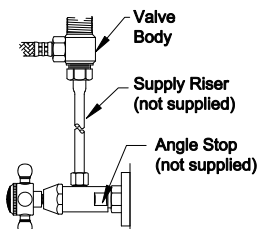
The decorative base ring and escutcheon takes the place of the top nut. (See Fig. 4B).

**Fig. 4B****3****Install pop-up assembly.**

- Separate drain collar from pop-up assembly.
- Apply silicon caulking to underside of drain collar. **NOTE: Do not use "Plumbers Putty" or any oil based sealants! Use of anything other than silicon caulking will VOID the finish warranty.**
- Insert drain body from underside through sink. Slowly screw on drain collar, align with ball rod hole facing back wall, then gently pull down into sink and firmly tighten brass nut from below.
- Remove tailpiece from drain body and apply teflon tape, approx. 3 to 5 wraps around threads and reinstall into bottom of drain body.
- Insert stopper in collar and hold with eye-screw hole facing back. If necessary, adjust stopper eye-screw height by loosening lock nut and rotating counter-clockwise. Tighten lock nut (See Fig. 6).
- Remove spring clip from ball rod.
- Remove nut and cone washers and slide onto end of ball rod.
- Insert ball rod into drain body below so short end of ball rod end fits in stopper eye-screw hole. Snug ball rod nut (do not over tighten). Ball rod must move up & down freely (See Fig. 6).
- Insert lift rod through top of spout and then through hole rod strap underneath sink. Tighten thumb-screw of hole rod strap against lift rod and connect to ball rod by gently pinching locking spring clip and sliding one side of spring clip onto ball rod.
- Insert hole strap onto ball rod, then pinch spring clip together to fit on ball rod.

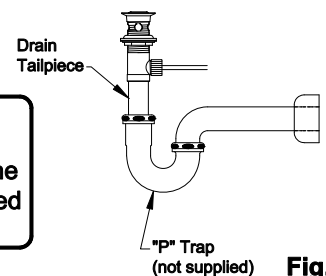
**Fig. 6****Fig. 7****4****Connect faucet to water supply:****IMPORTANT:** Flush supply lines of all debris prior to connecting to lavatory valve bodies. Debris remaining in the line will damage valve bodies and cause leaking. Failure to flush the lines could result in voiding the warranty.

- Connect supply risers from the angle stops.

**Fig. 8****5****Install "P" trap:**

- Connect your waste "P" trap to the drain tailpiece.

NOTE:
P-trap, angle stops, and supply risers are not supplied. We recommend genuine Cal-Trim parts available at your authorized California Faucets dealer.

**Fig. 9**