

California Faucets®

Descanso®

INDUSTRIAL FLOOR MOUNT TUB FILLER WITH HANDSHOWER

Features

- No additional wall or trap stabilizer kit required
- Tub filler: Maximum flow rate: 15 gpm (56.8 L/min) at 60 psi
- Handshower: Flow rate: 2.0 gpm (7.6 L/min) or 1.8 gpm (6.8 L/min)
- Handshower bracket may be placed on COLD or HOT side of body
- 1/4 turn ceramic disc cartridges
- Rough kit sold separately (9516)
- All brass construction
- Over 30 finishes including 15 PVD finishes

Codes/Standards Applicable

Product meets or exceeds the following:

- ASME A112.18.1/CSA B125.1
- CEC (1.8 gpm) / DOE (2.0 & 1.8 gpm)
- Commonwealth of MA
- ADA compliant (with lever handles)
- Local codes may require installation of an upstream tempering valve

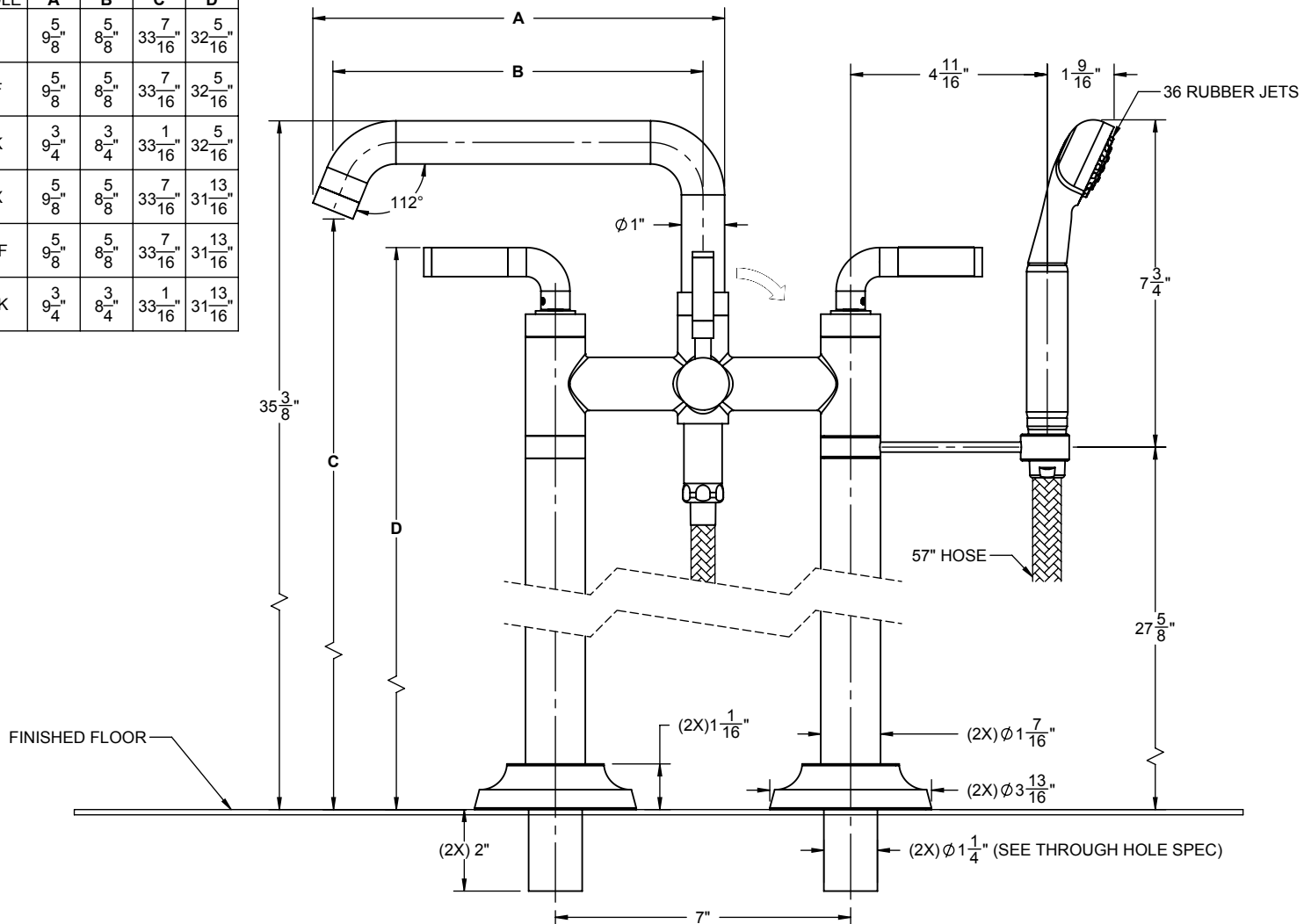


0903-XX.20
0903-XX.18

0903-30K.FR SHOWN

XX = DENOTES
HANDLE SERIES

HANDLE	A	B	C	D
30	5 9/8"	8 5/8"	33 7/16"	32 5/16"
30F	5 9/8"	8 5/8"	33 7/16"	32 5/16"
30K	3 9/4"	8 3/4"	33 1/16"	32 5/16"
30X	5 9/8"	8 5/8"	33 7/16"	31 13/16"
30XF	5 9/8"	8 5/8"	33 7/16"	31 13/16"
30XK	3 9/4"	8 3/4"	33 1/16"	31 13/16"



- (8X) CONCRETE TRI-LOBE ANCHOR
- (8X) #10 X 2 STAINLESS STEEL SCREW

THROUGH-HOLE SPECIFICATIONS		
MIN	RECOMMENDED	MAX
Ø 1-1/4"	Ø 1-5/16"	Ø 1-1/2"

SPECIFICATIONS SUBJECT TO CHANGE WITHOUT NOTICE

ALL DIMENSIONS SHOWN TO NEAREST 1/16"