

I 103-XX, I 203-XX, I 303-XX & I 403-XX Floor Mount Tub Filler – trim only Installation Instructions

CALIFORNIA FAUCETS RECOMMENDS THAT ALL PLUMBING PRODUCTS BE INSTALLED BY A LICENSED PROFESSIONAL

IMPORTANT: Read all instructions prior to installation and provide copy of instructions to consumer.

Operating Specifications:

Recommended Supply Pressure: 20 to 70 psi ††

Maximum Flow Rate: 15 gpm

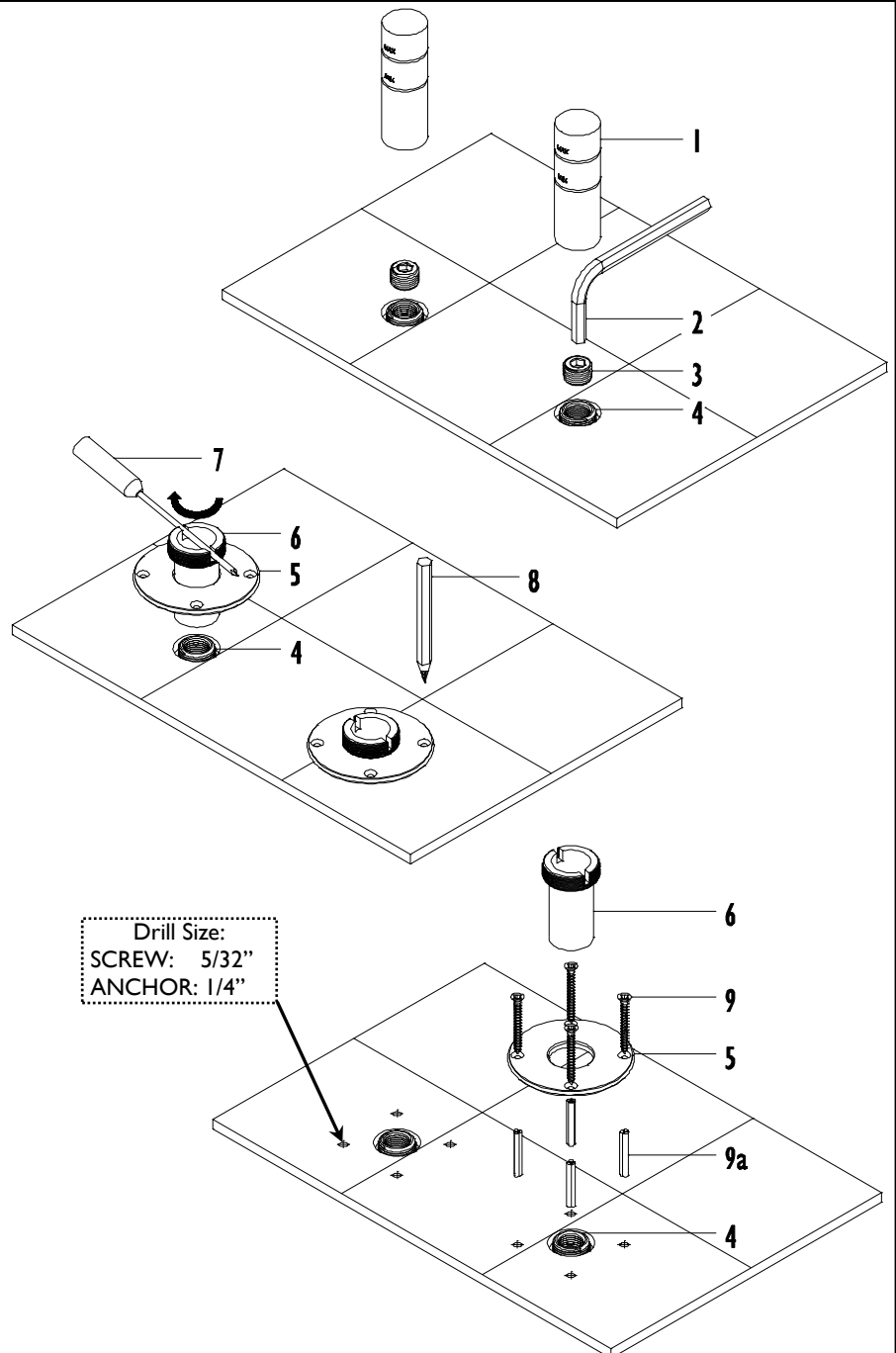
* Operating pressures between hot and cold supplies should vary no more than 30 psi.

† If water pressure exceeds 70 psi, install a Pressure-Reducing Valve (RPV).

I INSTALL FLANGES TO FLOOR

- Remove MUDGUARDS (1)
- Using 3/8" hex KEY (2) (not supplied), remove 1/2" PLUGS (3) from NIPPLES (4)
- Place FLANGE (5) onto SHANK (6) and loosely tighten onto NIPPLE (4) using SCREWDRIVER (7) in slots of SHANK (6)
- Using PENCIL (8) to mark on finished floor screw hole locations from FLANGE (5)
- Remove FLANGE (5) and SHANK (6)
- Pre-drill holes in finished floor use following drill bit:
 - SCREW (only): 5/32"
 - ANCHOR: 1/4"
- Insert ANCHOR (9a) (if required) into pre-drilled holes
- Place FLANGE (5) onto SHANK (6) and loosely tighten onto NIPPLE (4) using SCREWDRIVER (7) in slots of SHANK (6)
- Secure FLANGE (5) into place with SCREWS (9)
- Once SCREWS (9) are tightened, securely tighten SHANK (6) against FLANGE (5)

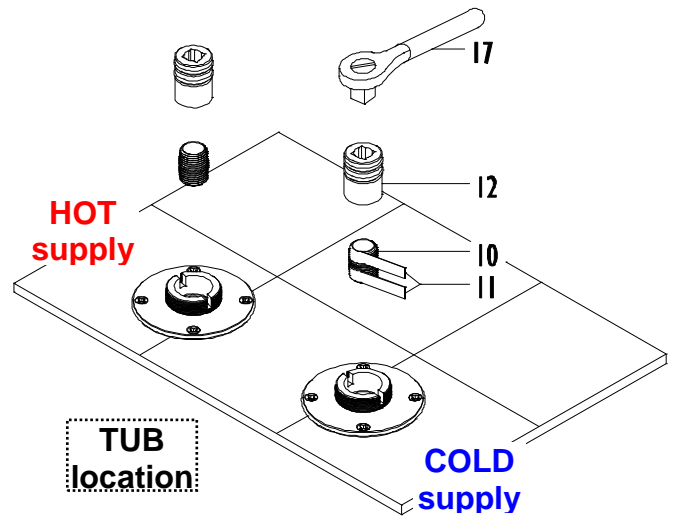
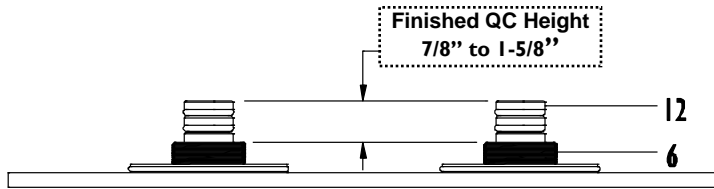
Important: It is necessary to securely tighten the SHANK (6) against FLANGE (5) for proper support of the entire Floor Mount Tub Filler.



2 INSTALLING QUICK CONNECT

- Apply Teflon® TAPE (11) (not supplied) onto both ends on 1/2" NPT (10) nipple (not supplied)
- Insert 1/2" NPT (10) nipple into quick CONNECT (12) first and then using 1/2" drive RATCHET (17) tighten assembly into NIPPLE (4) in flooring rough

Important: It is the responsibility of the **INSTALLER** to select the necessary length of 1/2" NPT (10) nipples to determine proper finished height (7/8" to 1-5/8") of the quick CONNECT (12).



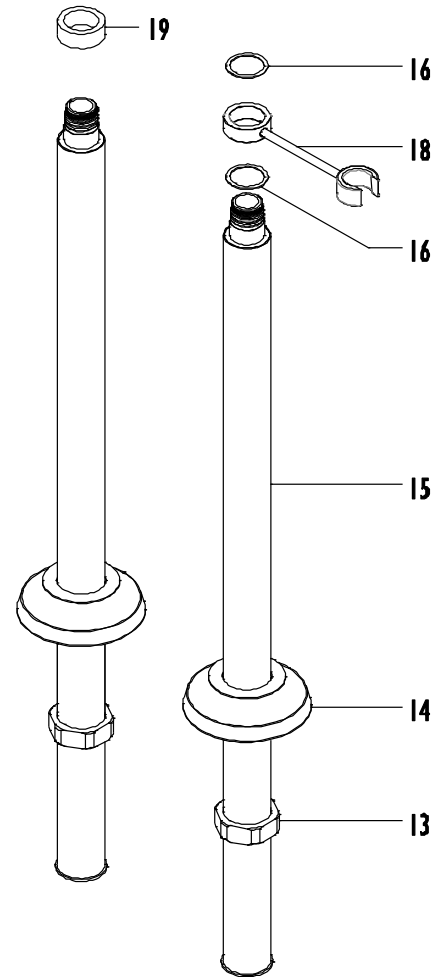
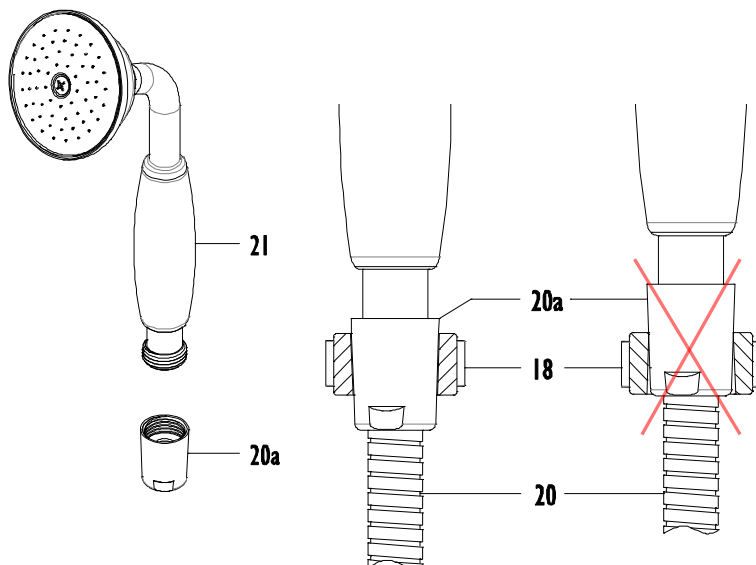
3 PREPARING LEGS

Important: It is the responsibility of the **INSTALLER** to discuss with **CONSUMER** as to which side the HANDSHOWER (21) shall be placed on the Floor Mounted Tub Filler before proceeding.

- Onto each LEG (15) slide tie down NUT (13) and COVER (14)
- LEG (15) *without handshower* place SPACER (19) at top of LEG (15)
- LEG (15) *with handshower* place friction WASHER (16), then HOOK (18) and second friction WASHER (16) on top of LEG (15) (HOOK shall have one friction WASHER on top and bottom)

Important: Proper orientation of the HOOK (18) is necessary to properly allow HANDSHOWER (21) to fit into HOOK (18) before proceeding.

- Attach CONICAL (20a) nut of HOSE (20) to HANDSHOWER (21) to confirm proper orientation of the HOOK (18) as shown below

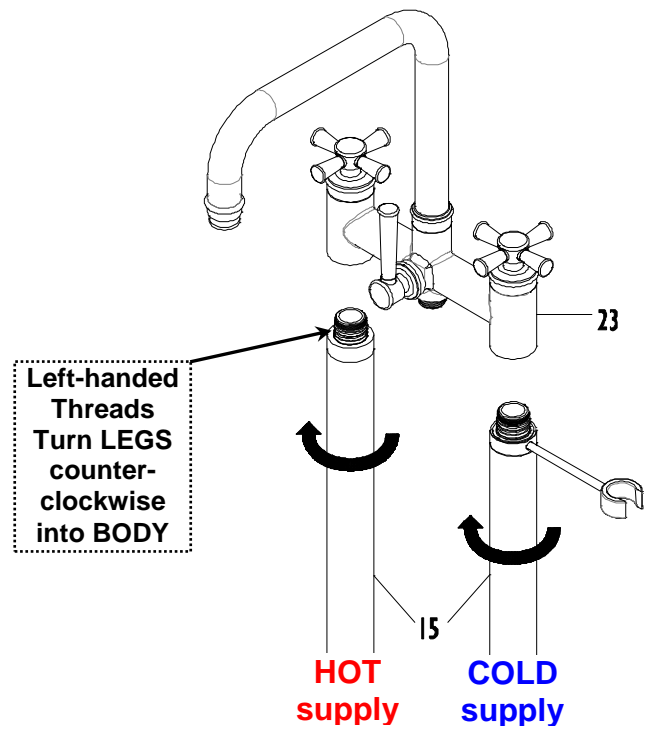


4

INSTALL LEGS ONTO BODY

Important: The LEGS (15) have *left-handed threads*, therefore, it is necessary to rotate LEGS (15) *counter-clockwise* into BODY (23)

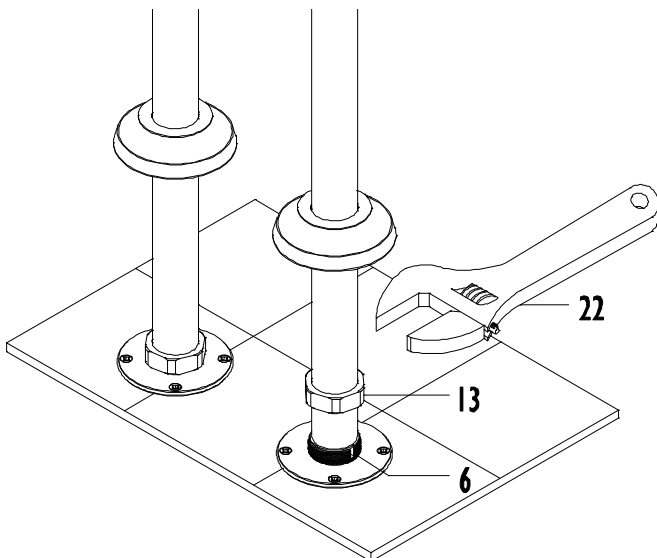
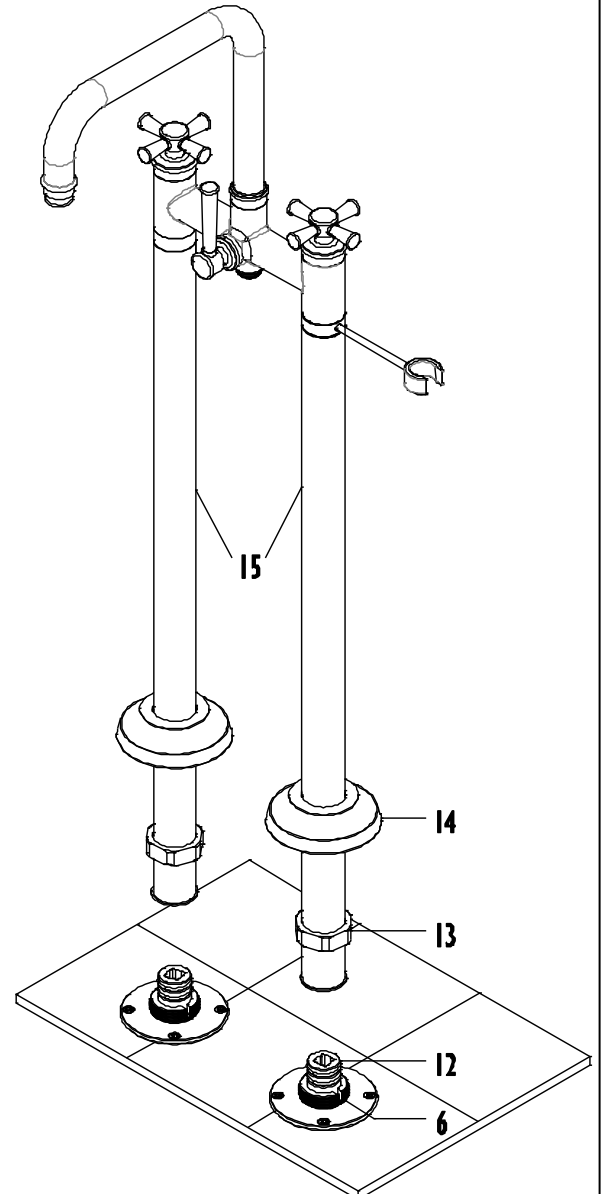
- Ensure that there is sufficient grease on both O-rings on LEG (15) and securely tighten into BODY (23)
- Repeat same procedure on other side



5

ATTACH TO QUICK CONNECT

- Ensure that there is sufficient grease on both O-rings on quick CONNECT (12) and slide LEGS (15) onto quick CONNECTS (12)
- Hand tighten tie down NUT (13) onto SHANK (6)
- Using adjustable WRENCH (22) securely tighten tie down NUT (13) onto SHANK (6)
- Repeat same procedure on other side
- Turn water supply on and pressurized faucet to check for leaks



6 FINAL CONNECTIONS

- Slide **COVERS (14)** down **LEGS (15)** and secure to **FLANGES (6)**, it may be necessary to twist and rotate **COVER (14)** to aid in proper seating onto **FLANGE (6)**
- Attach **HEX (20b)** nut of **HOSE (20)** to lower **OUTLET (23a)** of **BODY (23)**
- Operate faucet divert from tub spout to handshower and check for leaks

