

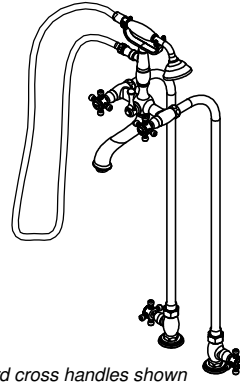


California Faucets® DELUXE FLOOR MOUNT "TELEPHONE" HAND SHOWER AND TUB FILLER

Features

- Requires 9525 or 9530 stabilizer kit
- Tub filler: Maximum flow rate: 10 gpm (37.9 L/min) @ 60 psi
- Handshower: Maximum flow rate: 2.0 gpm (7.6 L/min)
- EPA WaterSense Certified handshower
- 1/4 turn ceramic disc cartridges
- Replace "XX" with desired handle series
- Solid brass construction
- Over 30 finishes including 15 PVD finishes

1503-D-XX.20
1503-D-XX.13M.20



standard cross handles shown

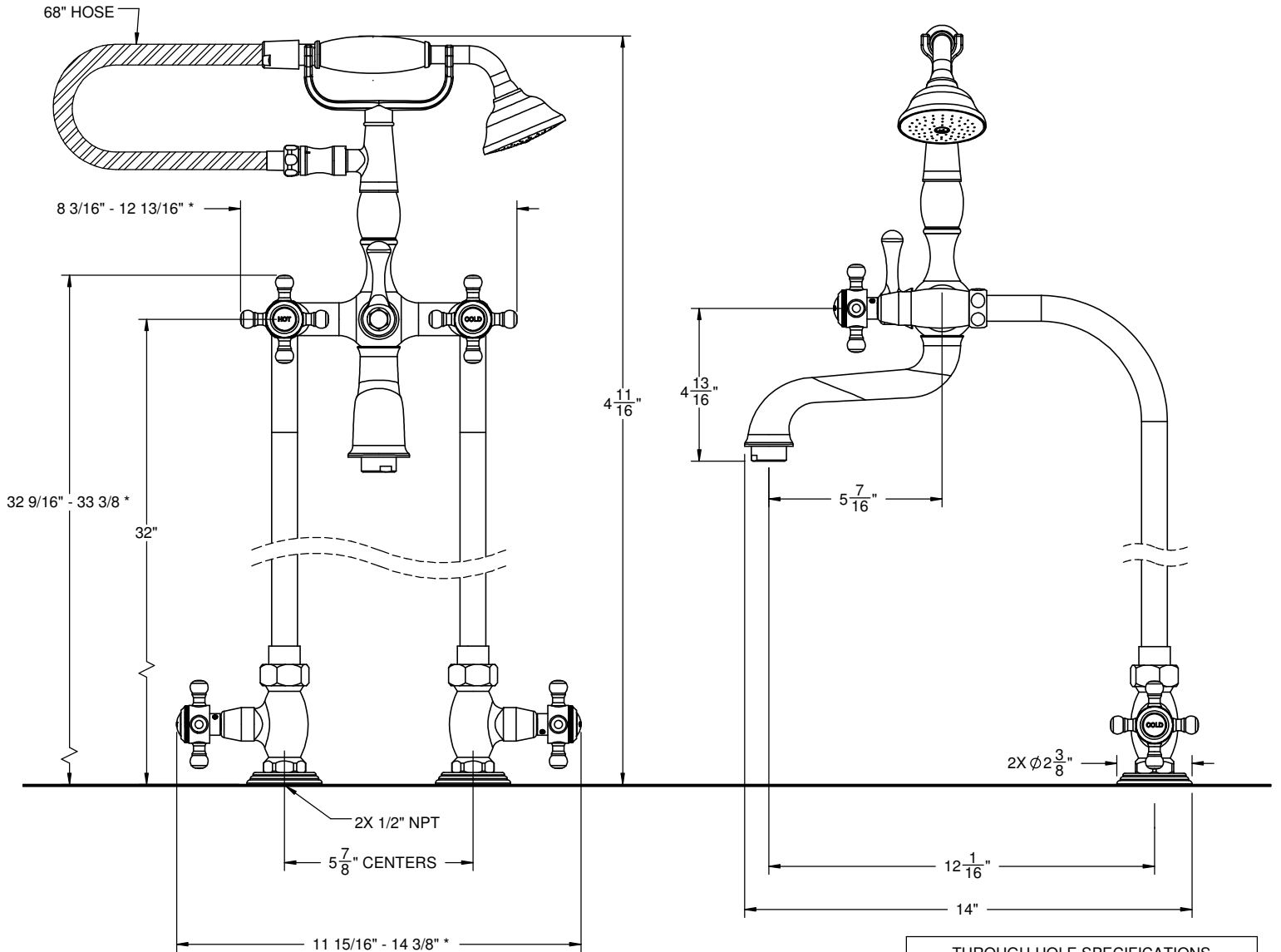


XX = DENOTES
HANDLE STYLE

Codes/Standards Applicable

Product meets or exceeds the following:

- ASME A112.18.1/CSA B125.1
- CEC
- ADA compliant (with lever handles)



THROUGH-HOLE SPECIFICATIONS		
MIN	RECOMENDED	MAX
VALVE: Ø 13/16"	Ø 7/8"	Ø 1-1/2"

* DIMENSION VARIES BASED ON HANDLE SERIES

ALL DIMENSIONS SHOWN TO NEAREST 1/16"