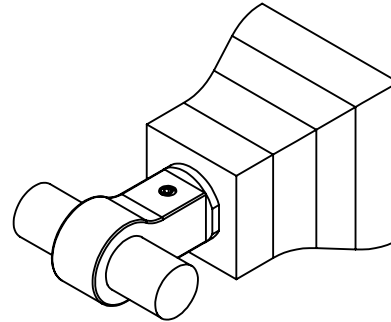




### Features

- Over 30 finishes including 14 PVD finishes
- Solid brass construction
- Rigid non-rotating connection between mount and end post
- Adjustable wall mount to allow proper horizontal leveling
- Includes mounting hardware
- For additional product offerings, see [www.californiafaucets.com](http://www.californiafaucets.com)

### 44-DRH



### Codes/Standards Applicable

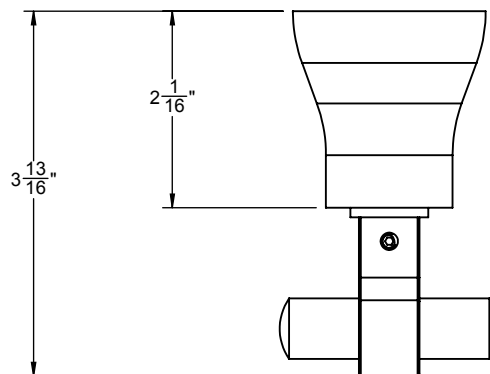
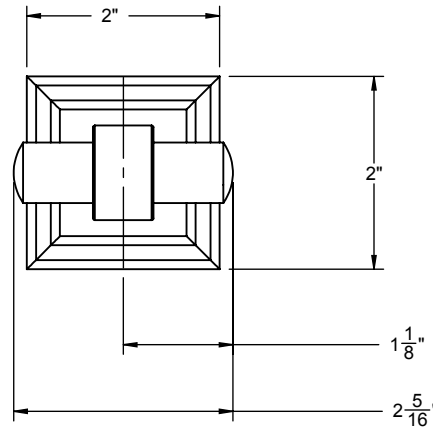
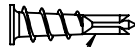
Meets or exceeds the following at date of manufacture:

- None applicable

2X No. 8 x 1-1/2" Flat head screw



2X 1 X 3/8" Anchor



ALL DIMENSIONS SHOWN TO NEAREST 1/16"