



Tel: 714-891-7797
 Fax: 714-891-2478
 Toll Free: 800-822-8855
 www.calfaucets.com

California Faucets®

SINGLE HOLE, BAR FAUCET

6109

**INSTALLATION
INSTRUCTIONS**

IMPORTANT

All California Faucets® products are engineered to provide quality performance provided they are installed and operated properly. To fully enjoy the comfort, safety, and reliability of your new Single Hole Bar Faucet, please follow the instructions below.

California Faucets reserves the right to make modification and specification changes at any time.
 Please visit www.calfaucets.com for most current technical data.

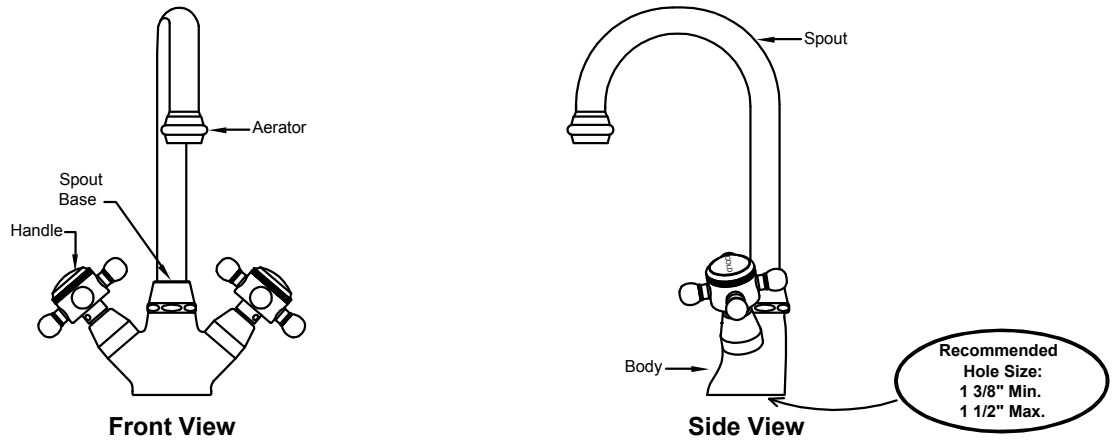


Fig. 1

Meets A112.18.1 - 2.2 gpm/8.31 L/min.

*****NOTE: SHUT OFF WATER SUPPLY BEFORE BEGINNING INSTALLATION*****

1 Install flex lines:

- Screw flex lines into body, (one long & one short) tighten with adjustable wrench until stop. Do not over tighten.
- Make sure sealing washer is fitted into base of body.

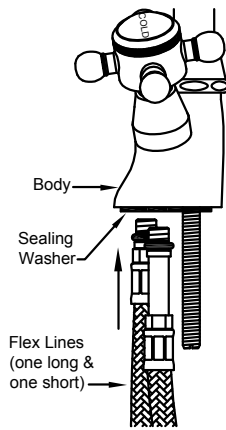


Fig. 2

2 Install assembly:

- Install faucet assembly, inserting flex lines and mounting rod through hole in sink or countertop.
- Center faucet on hole.

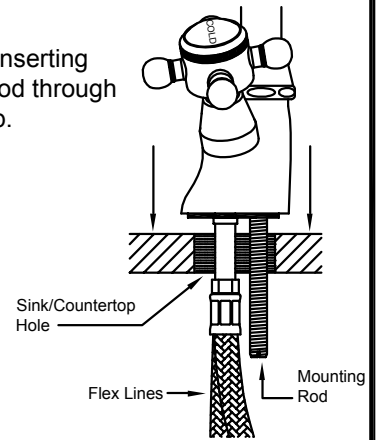


Fig. 3

3 Install washers:

- Install horseshoe bracket and rubber washer.

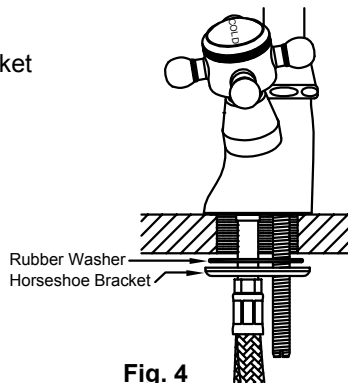


Fig. 4

4 Tighten to surface:

- Screw on brass nut to mounting rod.
- Hand-tighten and align faucet, then tighten brass nut firmly with a deep socket or adjustable wrench.

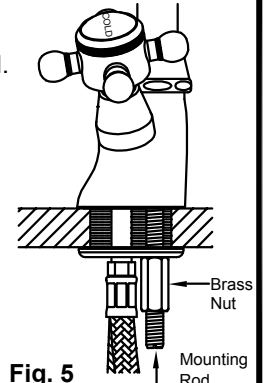
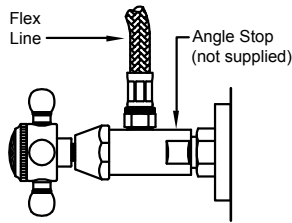


Fig. 5

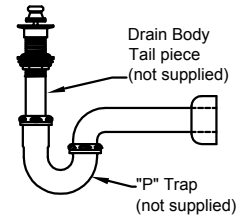
5**For Drains - Refer to Cal-Trim Section****6****Connect flex lines to water supply:**

-Connect flex lines to your angle stops.

IMPORTANT: Remove aerator, open hot/cold water supplies to flush faucet and replace aerator prior to using faucet. Debris remaining in the line will damage lavatory bodies and cause leaking. Failure to flush the lines could result in voiding the warranty.

**Fig. 6****7****Install "P" trap:**

-Connect your waste "P" trap to the drain tail piece.

**Fig. 7****NOTE:**

P-trap, angle stops and drain are not supplied. We recommend genuine Cal-Trim parts available at your authorized California Faucets dealer.

NOTE: *Due to sediment in the water it may be necessary on occasion to remove the aerator and clean the screen with a soft bristle toothbrush.*

IMPORTANT CLEANING NOTICE

Please refer to *Finish Care Instructions* for complete cleaning information. Wipe frequently with a soft, damp cloth. **Never use acids, harsh abrasives or detergents.**