



70-24

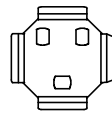
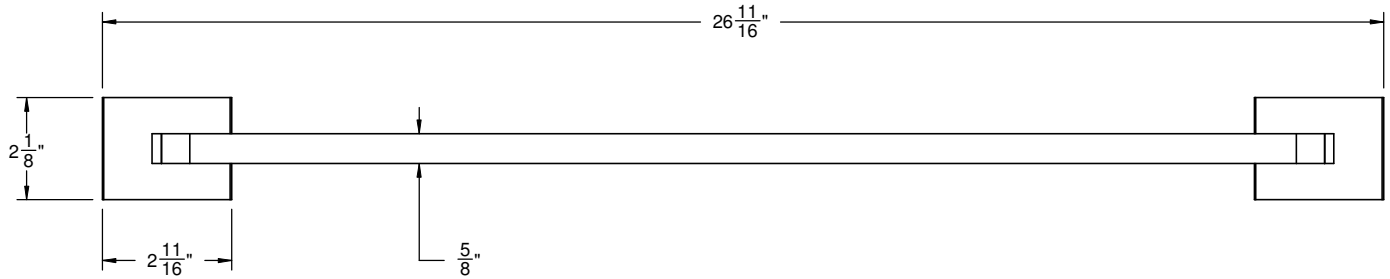
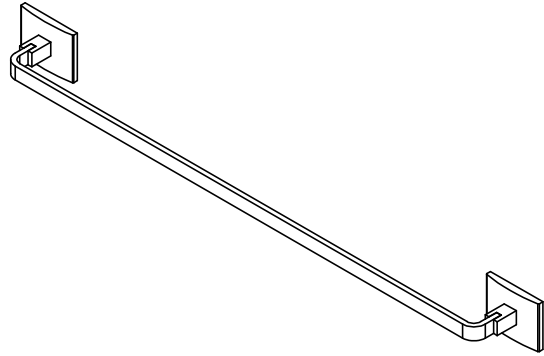
Features

- Over 30 finishes including 12 PVD finishes
- All brass construction
- Includes mounting hardware

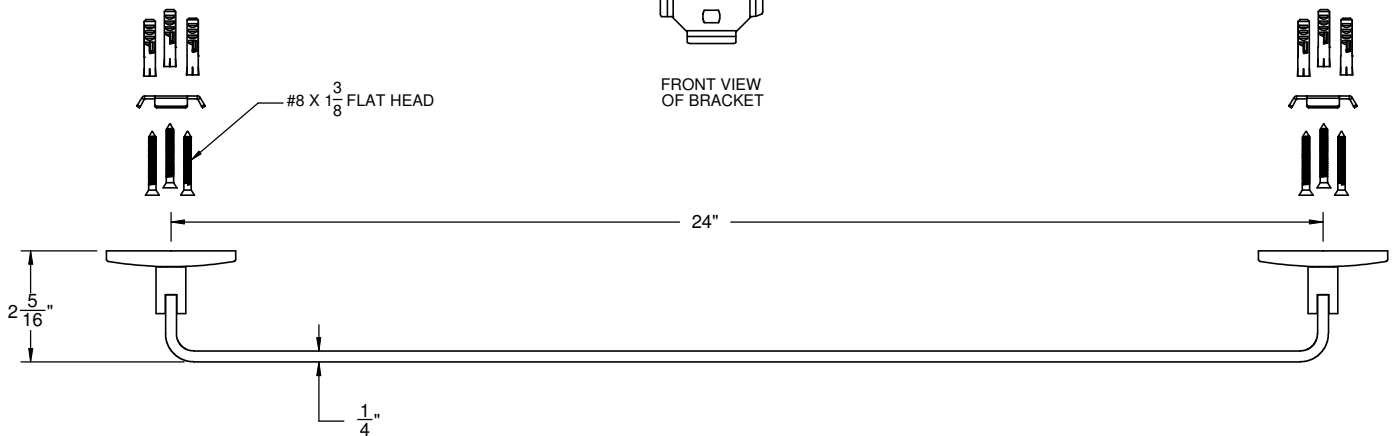
Codes/Standards Applicable

Specified model meets or exceeds the following:

- None applicable



FRONT VIEW OF BRACKET



ALL DIMENSIONS SHOWN TO NEAREST 1/16"