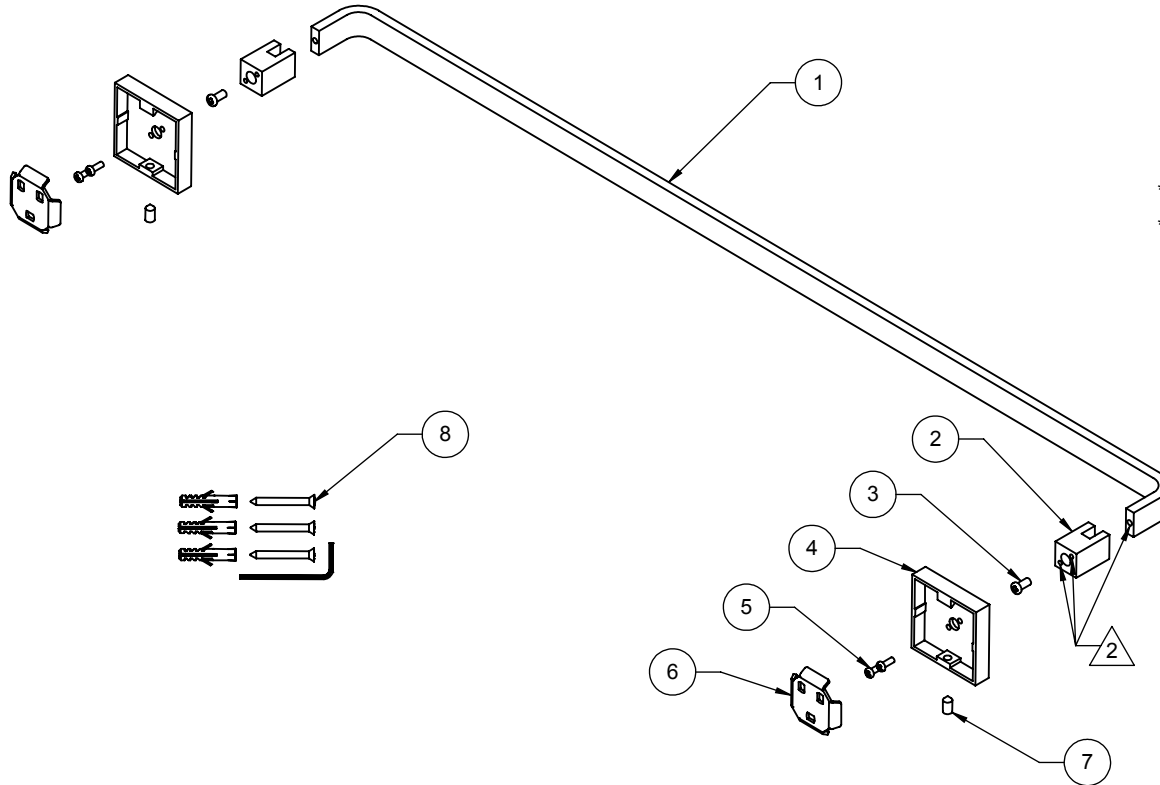


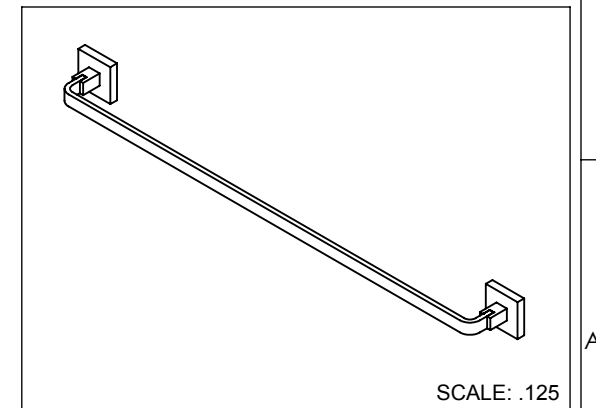
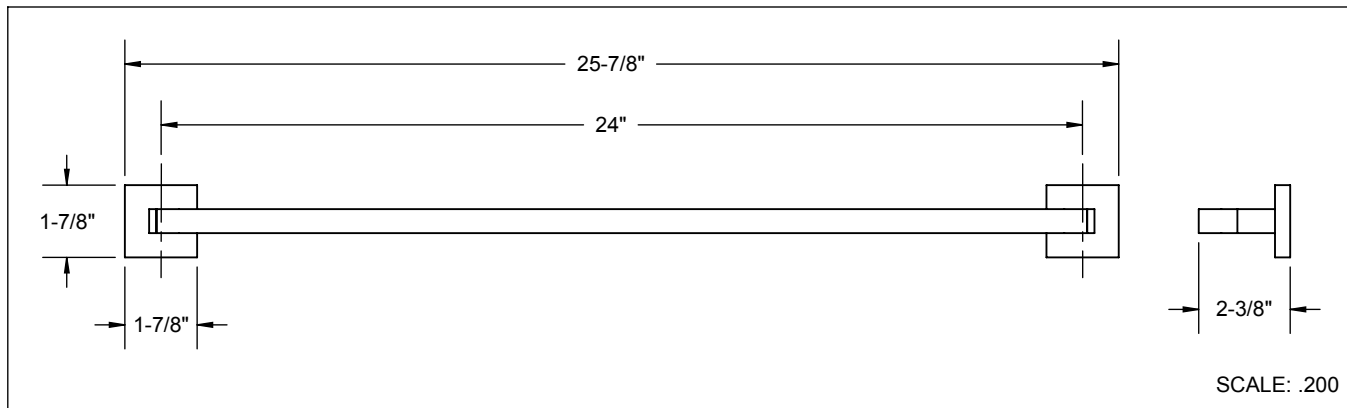
NOTES:
1. ZZ DENOTES FINISH

△ 2 APPLY LOCTITE 680 OR EQUIVALENT



BILL OF MATERIALS			
ITEM	PART NO.	DESCRIPTION	QTY.
1	10129-ZZ	BAR, TOWEL, ACCESS, SQ, 24"	1
2	10127-ZZ	POST, ACCESS, SQ	2
3	86019-90	SCREW, M4 X 0.7 X 8 PH PAN HD SS	2
4	10126-ZZ	FLANGE, WALL, ACCESS, SQ	2
5	86020-90	SCREW M3 X 0.5 X 8 PH PAN HD SS	4
6	10125-90	BRACKET, WALL ACCESS, SQ	2
7	86021-90	SET SCREW M5 X 0.8 X 10 SCKT HD CONE PT SS	2
8	6-200014-99	KIT, HDW, ACCESS, SQ	2
* 9	TW324	CARTON, 4" X 4" X 32"	1

* = NOT SHOWN



PROPRIETARY & CONFIDENTIAL: THE INFORMATION CONTAINED IN THIS DRAWING IS THE SOLE PROPERTY OF CALIFORNIA FAUCETS. ANY REPRODUCTION IN PART OR AS A WHOLE WITHOUT THE WRITTEN PERMISSION OF CALIFORNIA FAUCETS IS STRICTLY PROHIBITED. ALL RIGHTS RESERVED.

 www.calfaucets.com	REV	RELEASED	11/18/08	JW
	REV	REV DESC	DATE	APPR'D

24" TOWEL BAR

NEXT ASM: 72-24-ZZ	USED ON: 72-24-ZZ	DWG NO.	REV
DRAWN: C. WULF	11/18/08	72-24-ZZ	-
APPR'D: J. WOJTASZEK	11/18/08	SCALE: .250	SHEET 1 OF 1