
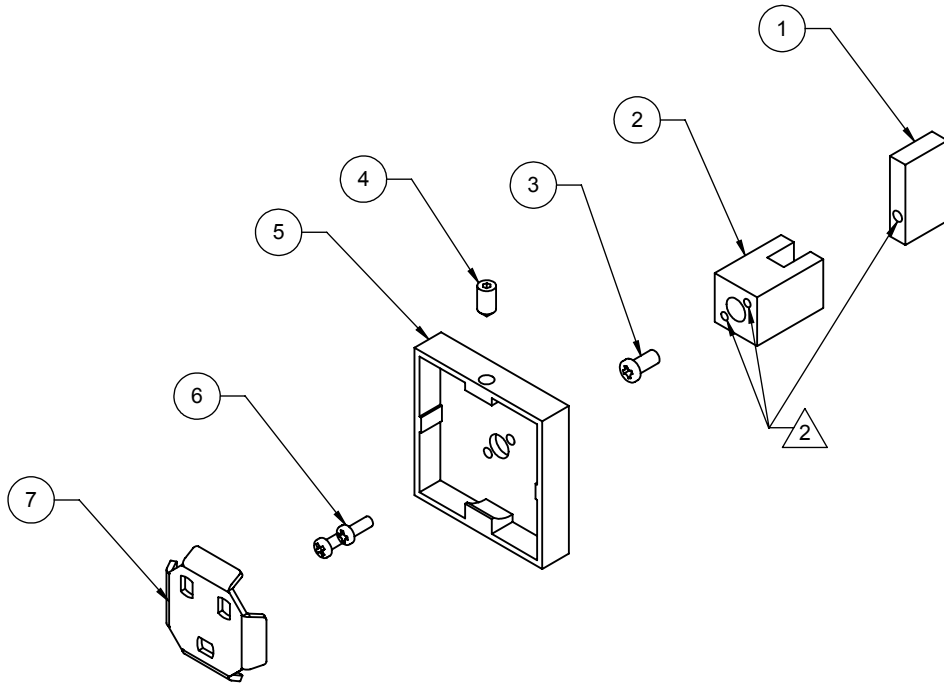


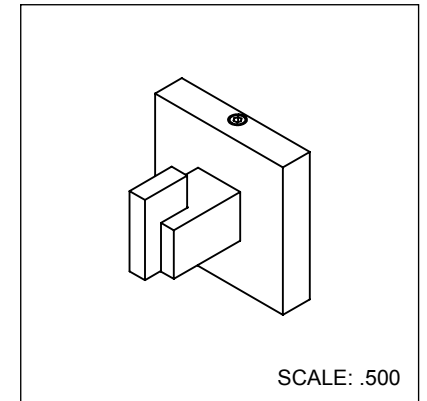
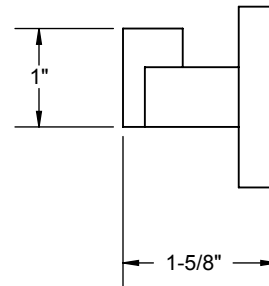
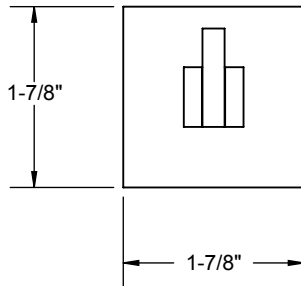
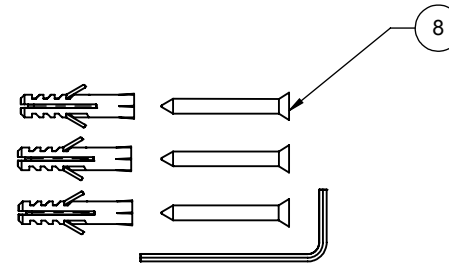
NOTES:
1. ZZ DENOTES FINISH

2  APPLY LOCTITE 680 OR EQUIVALENT




BILL OF MATERIALS			
ITEM	PART NO.	DESCRIPTION	QTY.
1	10130-ZZ	HOOK, ACCESS, SQ	1
2	10127-ZZ	POST, ACCESS, SQ	1
3	86019-90	SCREW, M4 X 0.7 X 8 PH PAN HD SS	1
4	86021-90	SET SCREW M5 X 0.8 X 10 SCKT HD CONE PT SS	1
5	10126-ZZ	FLANGE, WALL, ACCESS, SQ	1
6	86020-90	SCREW M3 X 0.5 X 8 PH PAN HD SS	2
7	10125-90	BRACKET, WALL ACCESS, SQ	1
8	6-200014-99	KIT, HDW, ACCESS, SQ	1
* 9	M485	CARTON, 7" X 3" X 3"	1

* = NOT SHOWN



PROPRIETARY & CONFIDENTIAL: THE INFORMATION CONTAINED IN THIS DRAWING IS THE SOLE PROPERTY OF CALIFORNIA FAUCETS. ANY REPRODUCTION IN PART OR AS A WHOLE WITHOUT THE WRITTEN PERMISSION OF CALIFORNIA FAUCETS IS STRICTLY PROHIBITED. ALL RIGHTS RESERVED.

	REV	RELEASED	11/18/08	JW
	REV	REV DESC	DATE	APPR'D

ROBE HOOK

NEXT ASM: 72-RH-ZZ	USED ON: 72-RH-ZZ	DWG NO. 72-RH-ZZ	REV -
DRAWN: C. WULF	11/18/08	SCALE: .500	SHEET 1 OF 1
APPR'D: J. WOJTASZEK	11/18/08		