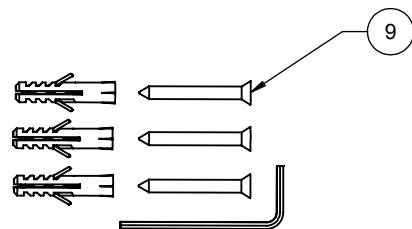
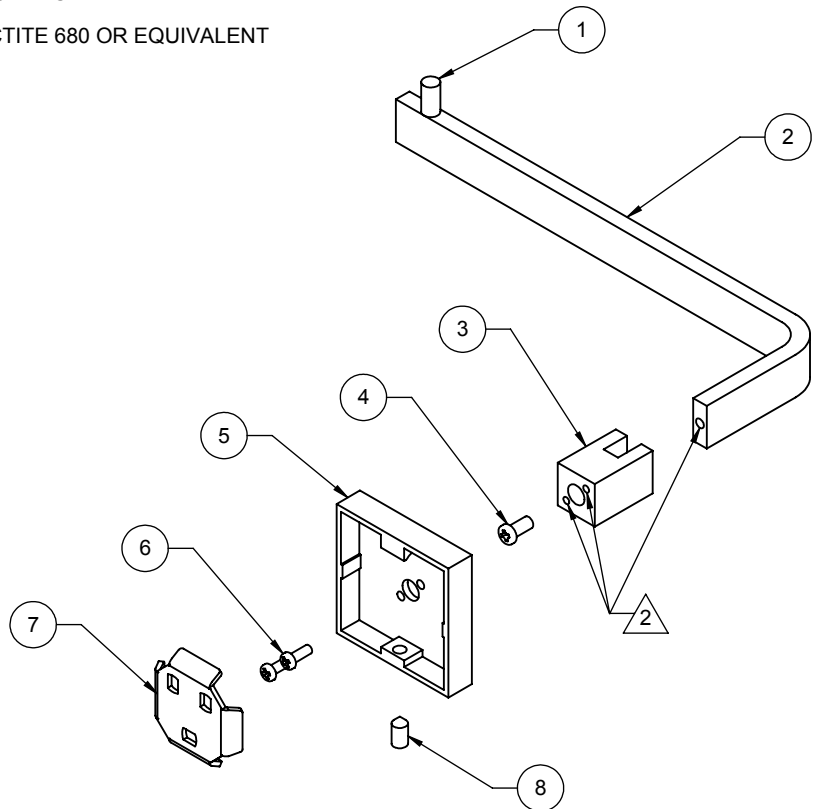


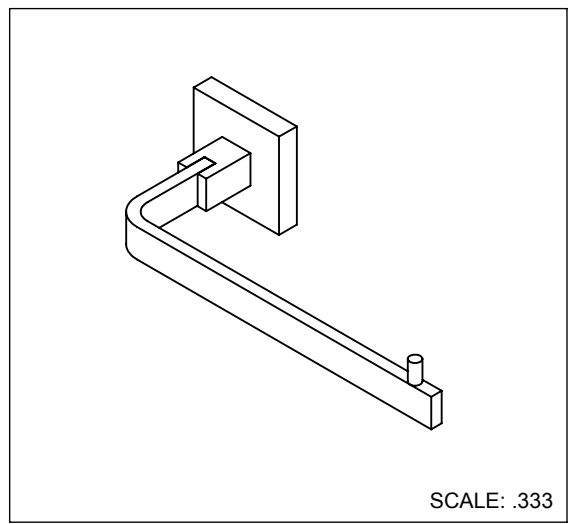
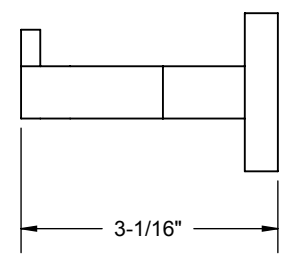
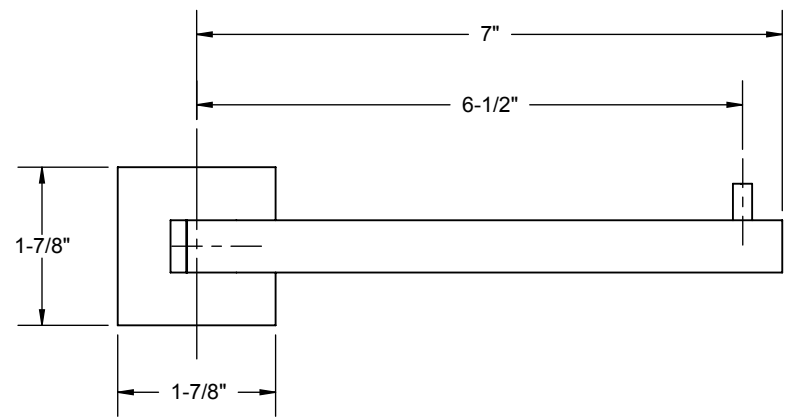
NOTES:
1. ZZ DENOTES FINISH

2. APPLY LOCTITE 680 OR EQUIVALENT



BILL OF MATERIALS			
ITEM	PART NO.	DESCRIPTION	QTY.
1	10133-ZZ	POST, END, TISSUE, ACCESS, SQ	1
2	10132-ZZ	BAR, TISSUE, ACCESS, SQ	1
3	10127-ZZ	POST, ACCESS, SQ	1
4	86019-90	SCREW, M4 X 0.7 X 8 PH PAN HD SS	1
5	10126-ZZ	FLANGE, WALL, ACCESS, SQ	1
6	86020-90	SCREW M3 X 0.5 X 8 PH PAN HD SS	2
7	10125-90	BRACKET, WALL ACCESS, SQ	1
8	86021-90	SET SCREW M5 X 0.8 X 10 SCKT HD CONE PT SS	1
9	6-200014-99	KIT, HDW, ACCESS, SQ	1
* 10	M408	CARTON, 7-1/2" X 7-1/2" X 3-1/4"	1

* = NOT SHOWN



PROPRIETARY & CONFIDENTIAL: THE INFORMATION CONTAINED IN THIS DRAWING IS THE SOLE PROPERTY OF CALIFORNIA FAUCETS. ANY REPRODUCTION IN PART OR AS A WHOLE WITHOUT THE WRITTEN PERMISSION OF CALIFORNIA FAUCETS IS STRICTLY PROHIBITED. ALL RIGHTS RESERVED.



REV	RELEASED	11/19/08	JW
REV	REV DESC	DATE	APPR'D

SINGLE POST PAPER/TOWEL HOLDER

NEXT ASM:	72-STP-ZZ	USED ON:	72-STP-ZZ
DRAWN:	C. WULF	DATE:	11/19/08
APPR'D:	J. WOJTASZEK	DATE:	11/19/08

DWG NO.	72-STP-ZZ	REV	-
SCALE:	.438	SHEET	1 OF 1