



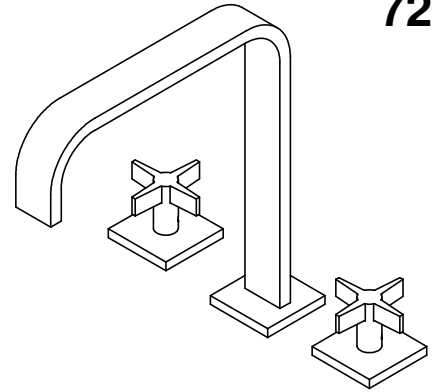
California Faucets®

Aliso™
ROMAN TUB SET

7208

Features

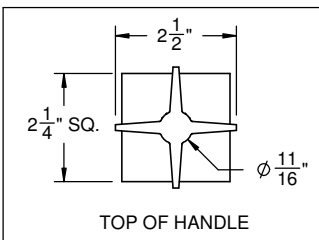
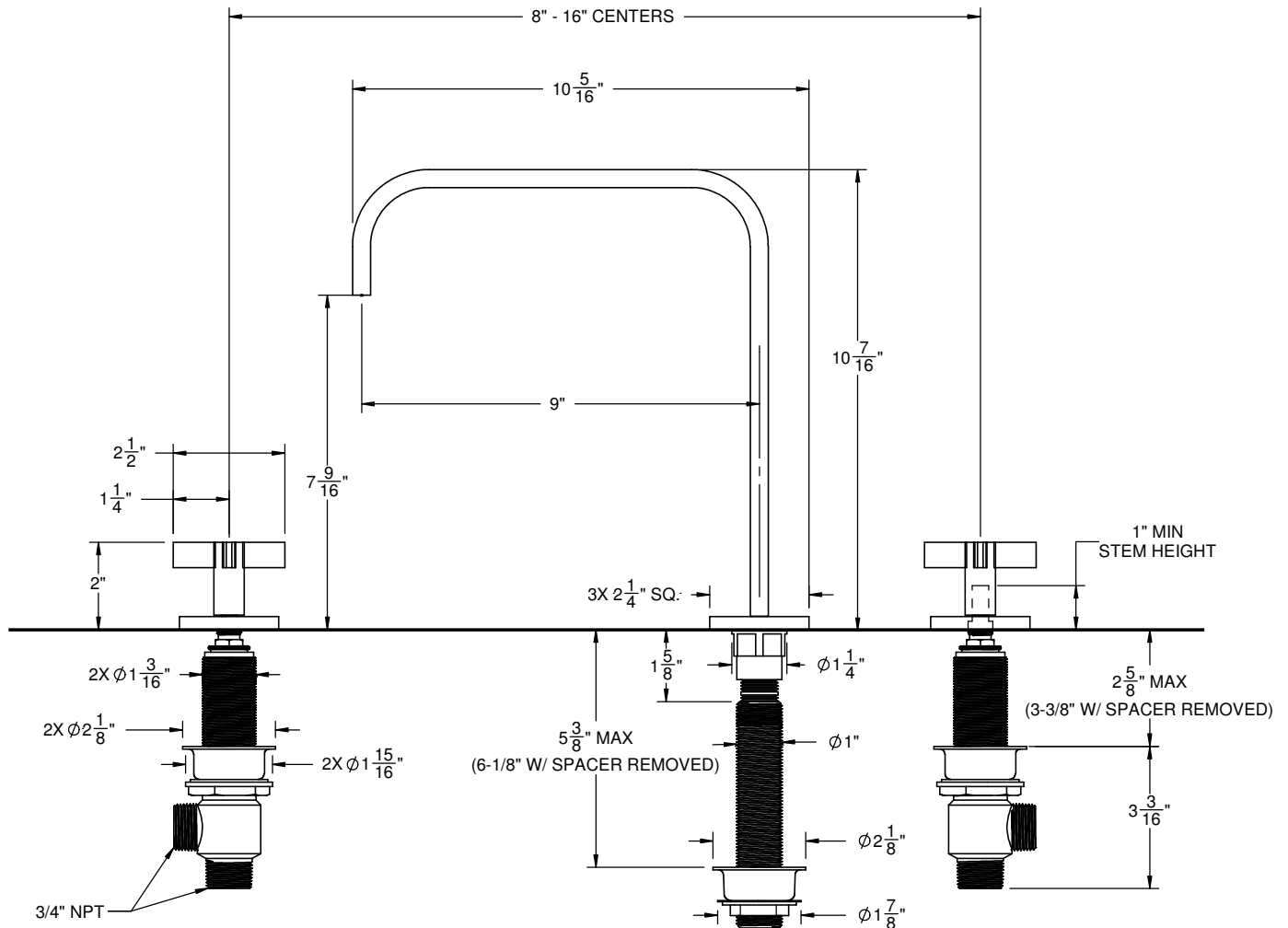
- 9" spout center to center
- 1/4 turn 3/4" high flow ceramic disc valves
- 10 gpm (37.9 L/min) max flow rate
- Solid brass construction
- Over 30 finishes including 15 PVD finishes



Codes/Standards Applicable

Product meets or exceeds the following:

- ASME A112.18.1/CSA B125.1



THROUGH-HOLE SPECIFICATIONS			
	MIN	RECOMMENDED	MAX
SPOUT:	Ø 1-1/4"	Ø 1-3/8"	Ø 1-5/8"
VALVE:	Ø 1-1/4"	Ø 1-3/8"	Ø 1-3/4"

ALL DIMENSIONS SHOWN TO NEAREST 1/16"