



California Faucets®

# ZeroDrain®

## LAVATORY DRAIN

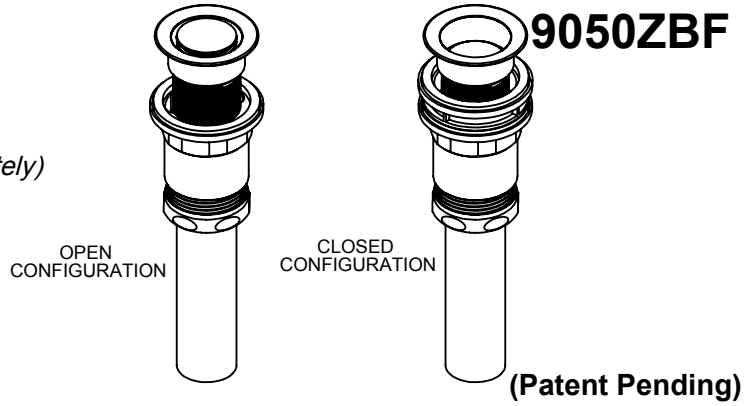
### Features

- Stopper is flush with flange in open position
- Easy installation and maintenance of stopper
- For use on sinks with overflow or less overflow
- Fully polished and finished for exposed installations
- Connection: 1-1/4" x 4" tailpiece (7" version, 9069, sold separately)
- Solid brass construction
- Over 30 finishes including 14 PVD finishes

### Codes/Standards Applicable

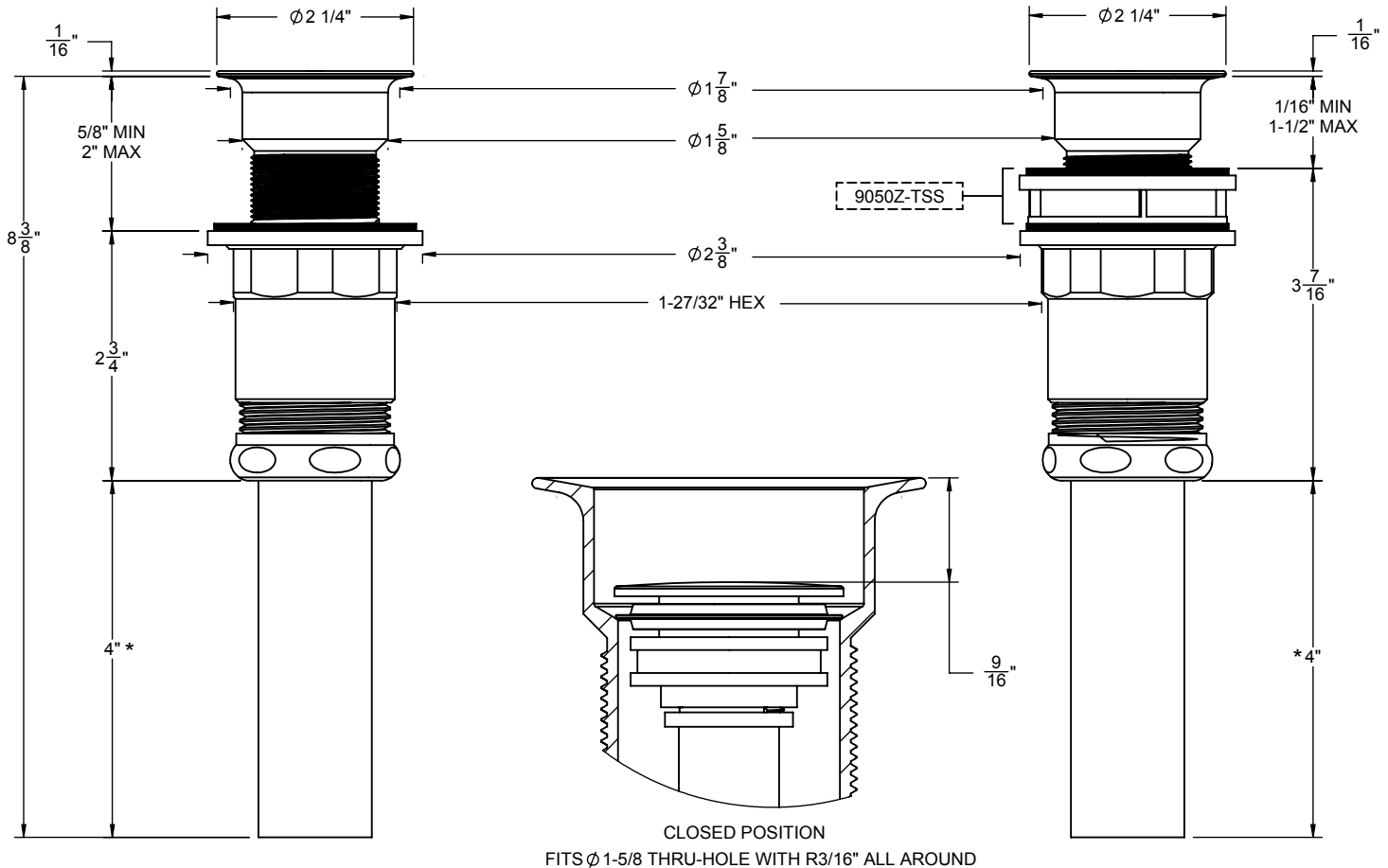
Meets or exceeds the following at date of manufacture:

- ASME A112.18.2/CSA B125.2
- LISTED IAPMO/cUPC®



### THICK SINK APPLICATION (5/8" - 2")

### THIN SINK APPLICATION (1/16" - 9/16") SHOWN WITH OPTIONAL 9050Z-TSS



\* TAIL PIECE MAY BE CUT TO 1" MIN

ALL DIMENSIONS SHOWN TO NEAREST 1/16"