



California Faucets®

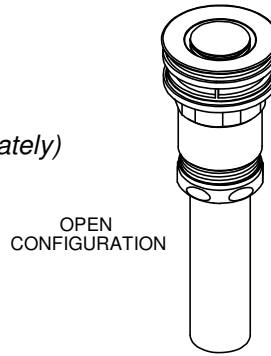
# ZeroDrain®

## LAVATORY DRAIN

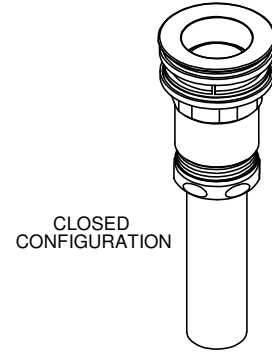
### 9050Z

### Features

- Stopper is flush with flange in open position
- Easy installation and maintenance of stopper
- For use on sinks with overflow or less overflow
- Polished and finished upper flange and stopper only
- Connection: 1-1/4" x 4" tailpiece (7" version, 9069, sold separately)
- US Patented design No. 915102
- Solid brass construction
- Over 30 finishes including 15 PVD finishes



OPEN CONFIGURATION



CLOSED CONFIGURATION



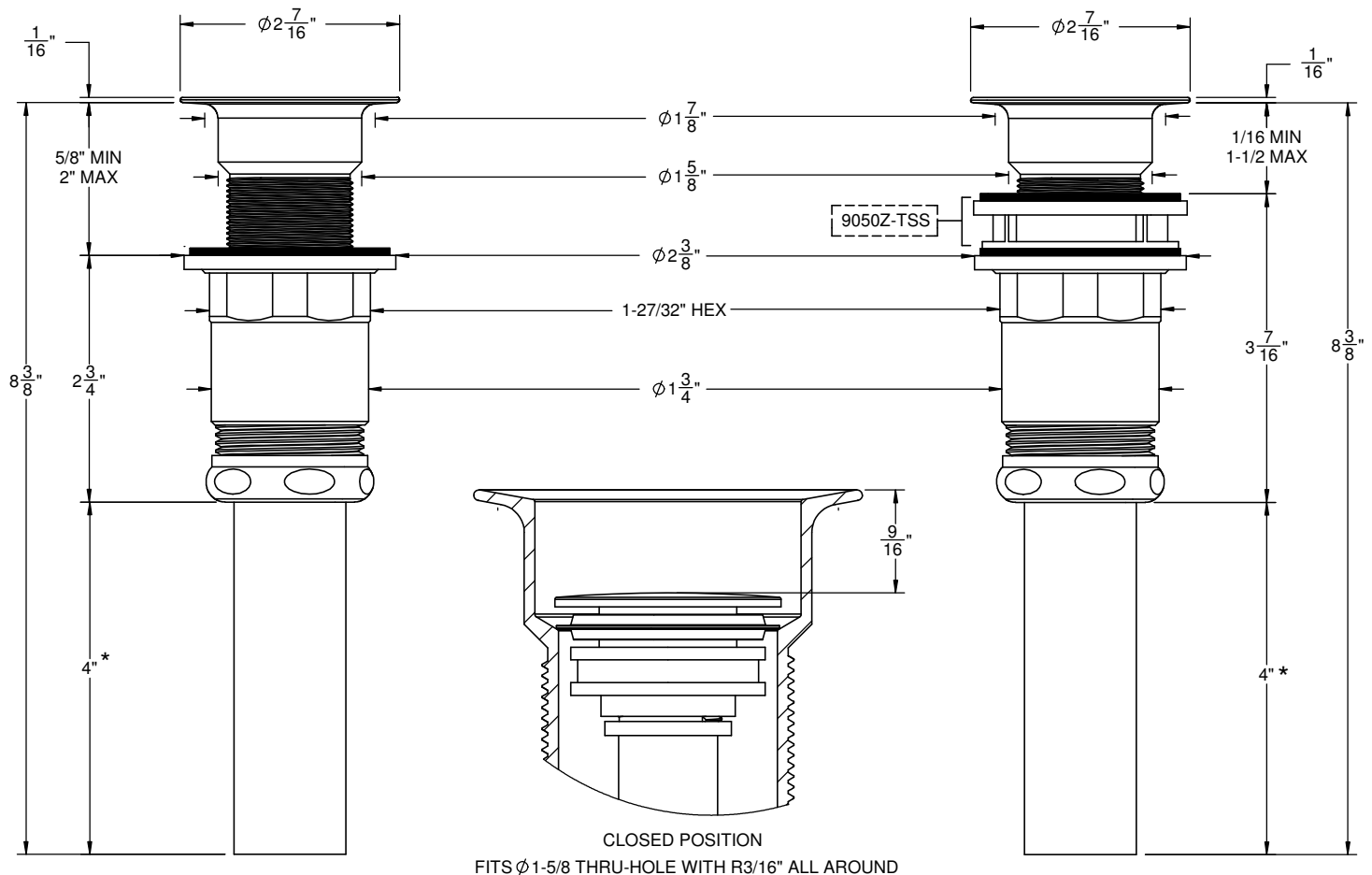
### Codes/Standards Applicable

Product meets or exceeds the following:

- ASME A112.18.2/CSA B125.2

THICK SINK APPLICATION  
(5/8" - 2")

THIN SINK APPLICATION  
(1/16" - 9/16")  
SHOWN WITH OPTIONAL 9050Z-TSS



\* TAILPIECE MAY BE CUT TO 1" MIN

ALL DIMENSIONS SHOWN TO NEAREST 1/16"