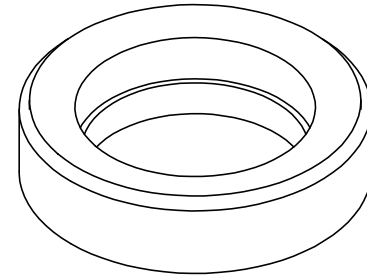




9067-ZZ

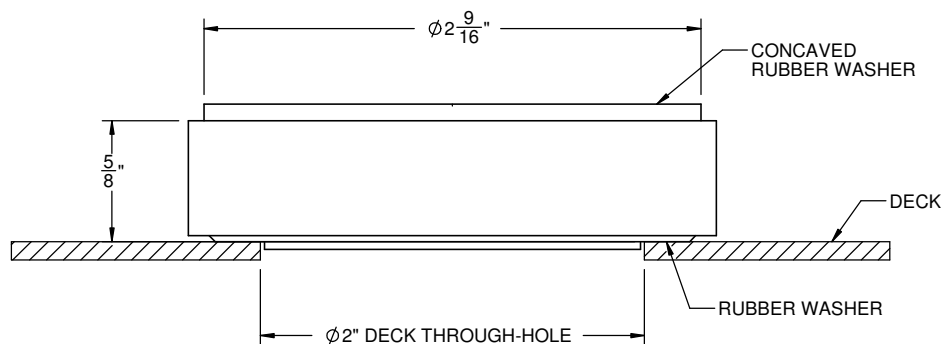
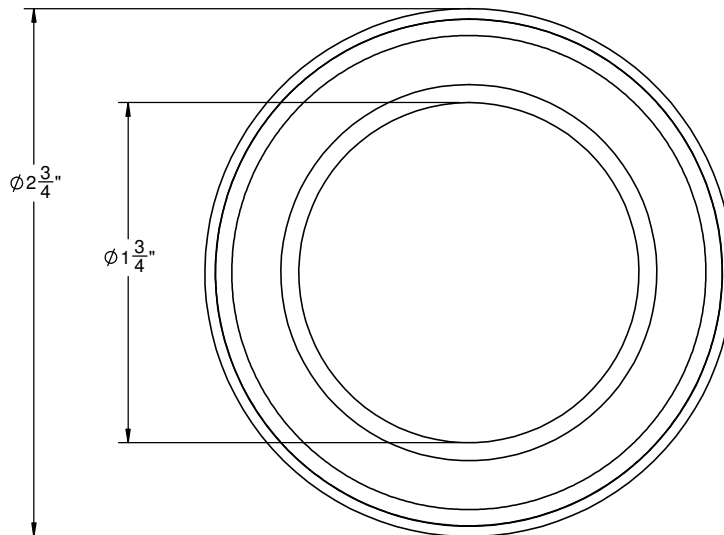
Features

- Solid brass construction
- Includes upper & lower rubber gaskets
- Over 30 finishes including 15 PVD finishes
- ϕ 2-3/4" base
- 5/8" height above counter



Codes/Standards Applicable

- Meets or exceeds the following at date of manufacture:
- ASME A112.18.1/CSA B125.1



ALL DIMENSIONS SHOWN TO NEAREST 1/16"