



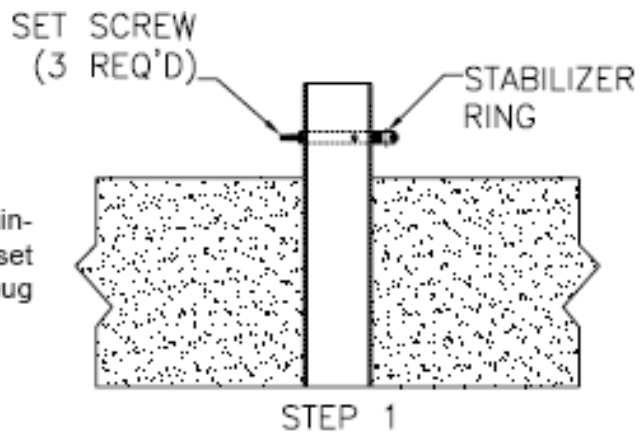
California Faucets®

# StyleDrain™ Floor Drain Stabilizer Ring

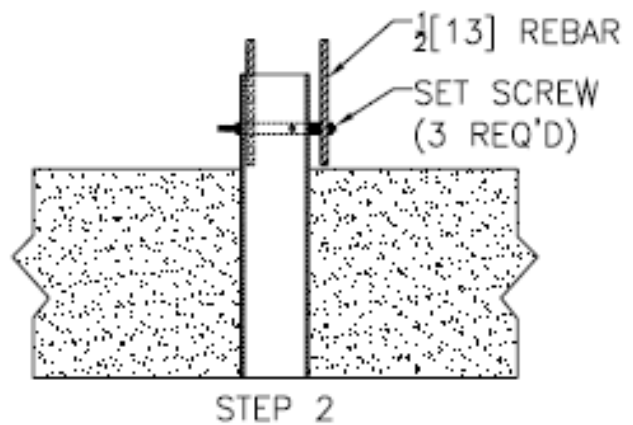
Model # 9177-FSR

For use with 8" Diameter Drain Body

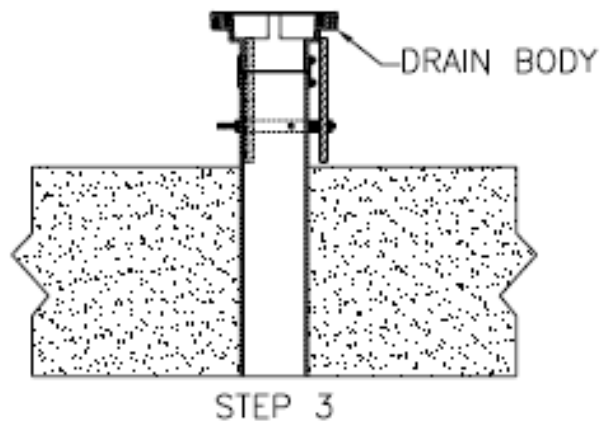
**Step 1:** Slide the stabilizer ring over the drainage pipe. Tighten the three 3/8-16 x 1-1/2 [38] set screws to the pipe until the stabilizing ring is snug on the pipe.



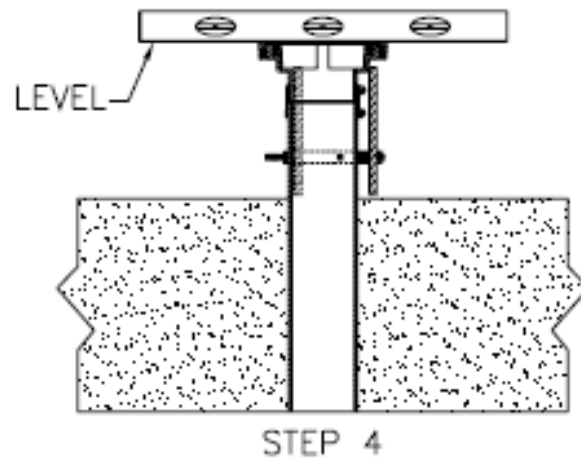
**Step 2:** Place a piece of rebar (1/2 [13] maximum, supplied by others), cut to a suitable length, into each of the three holes in the stabilizing ring.



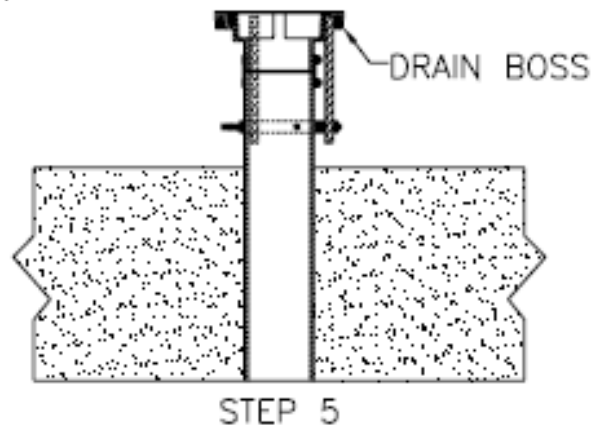
**Step 3:** Attach the drain body to the drainage pipe with desired outlet connection.



**Step 4:** Adjust the drain body so that it is level and secure the connection.



**Step 5:** Slide each piece of rebar up until it is in contact with the bottom of the drain body flange and tighten the three 3/8-16 x 1/2 [13] set screws to lock rebar into place. Rotate the stabilizing ring until the tops of the rebar contact at least one side of one of the drain body bosses. Tighten the 3/8-16 x 1-1/2 [38] set screws to the drainage pipe firmly to secure the stabilizing ring into place.



**Step 6:** Check the drain body to make sure it is level and return to Step 4 if necessary.

