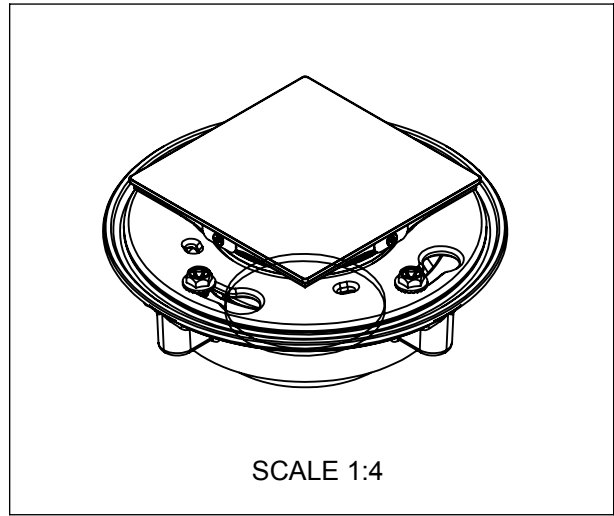


ITEM	PART NO.	DESCRIPTION	QTY.
1	9177-IP-3	STYLEDRAIN ROUGH KIT, 3" IPS	1
1.1	6-200033-91	ASM, DLX DRAIN BODY, 3" IPS	1
1.1.1	6-200033-91	BODY, DRAIN, CAST IRON	1
1.1.2	50228-91	COLLAR, DRAIN, CAST IRON	1
1.1.3	913591-99	BOLT M10 X 1.5 X 20 FLANGE HEX HD W/PHL, ZnPLT	4
* 1.2	99062	CARTON, KRAFT 9-3/8 X 9-3/8 X 7-3/8, RETT 200#	1
* 1.3	33011554	INSERT, KRAFT, 33-9/16" X 29-3/8", W/RD CUTOUT	1
* 1.4	33011555	INSERT, KRAFT, 33-9/16" X 29-3/8", W/SQ CUTOUT	1
1.5	6-200013-99	ASM, DRAIN THROAT	1
1.5.1	913494-96	THROAT, DRAIN, 9170, 9171	1
1.5.2	913585-99	FRAME, TILE, 9170, 9171	1
1.5.3	913594-99	SCREW 6-32 X 3/16 PN HD, BRS-PHL	4
1.5.4	913587-99	MUD GUARD, SQ, PLASTIC, 9170, 9171	1

* = DENOTES NOT SHOWN



PROPRIETARY & CONFIDENTIAL: THE INFORMATION CONTAINED IN THIS DRAWING IS THE SOLE PROPERTY OF CALIFORNIA FAUCETS. ANY REPRODUCTION IN PART OR AS A WHOLE WITHOUT THE WRITTEN PERMISSION OF CALIFORNIA FAUCETS IS STRICTLY PROHIBITED. ALL RIGHTS RESERVED.

 www.calfaucets.com	ECO-0598	7/16/13	JW	<h2>STYLEDRAIN ROUGH KIT, 3" IPS</h2>	NEXT ASM: 9177-IP-3	USED ON: 9177-IP-3	DWG NO. 9177-IP-3	REV -
	REV	REV DESC	DATE		APPR'D	DRAWN: G. JUDIANTO	07/16/2013	SCALE: 1:4