



Suggested Uses

- Shower drain
- Patio/Atrium drains
- Other wetted area floor drains

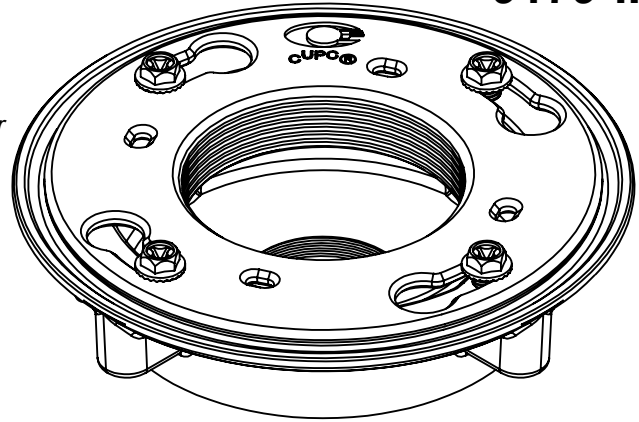
Features

- Latex coated cast iron body with reversible weep-hole membrane collar
- Outlet connection: 2" NPT female
- Compatible with StyleDrain throat (9178) sold separately
- For complete selection, see www.californiafaucets.com

Codes/Standards Applicable

- Specified model meets or exceeds the following:
- ASME A112.18.2/CSA B125.2

9179-IP-2



CAST IRON 2" IPS

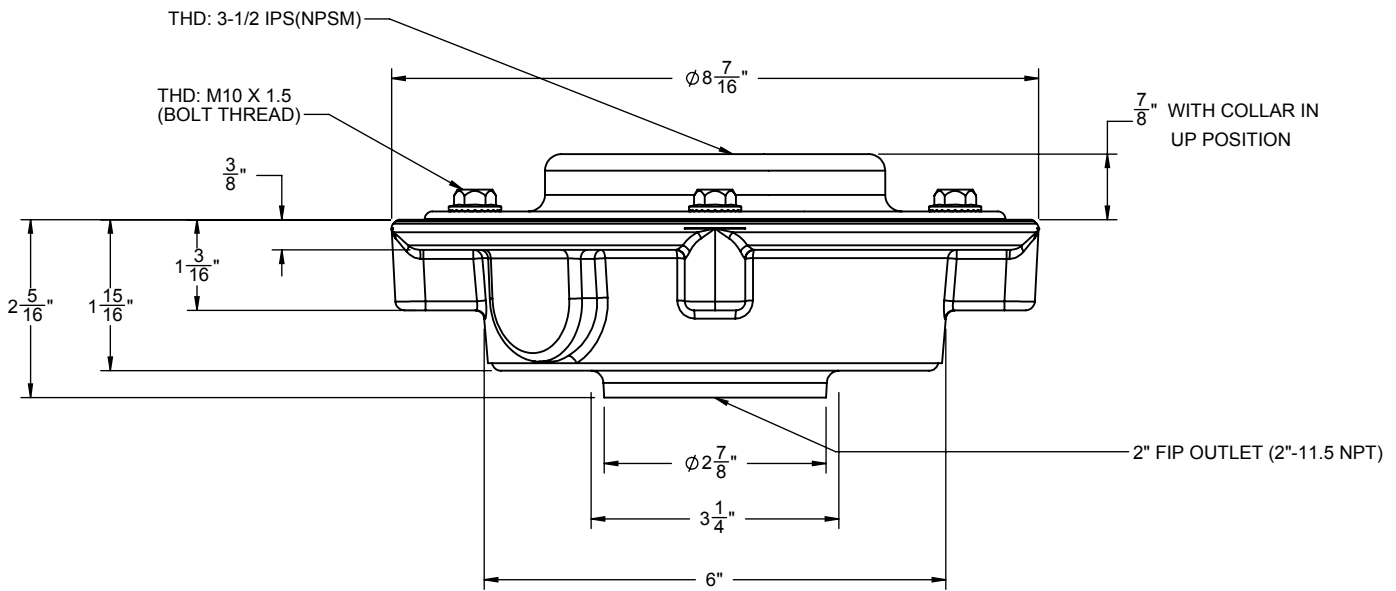
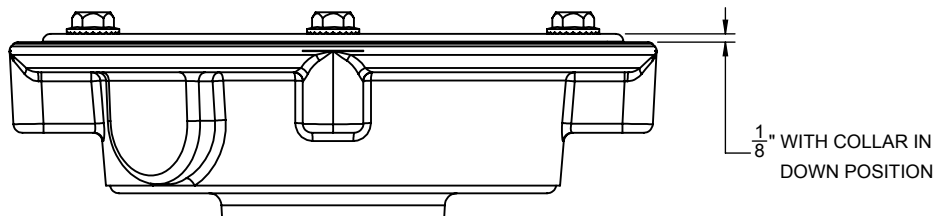


Figure 1. COLLAR IN **UP** POSITION

Figure 2. COLLAR IN **DOWN** POSITION



ALL DIMENSIONS SHOWN TO NEAREST 1/16"