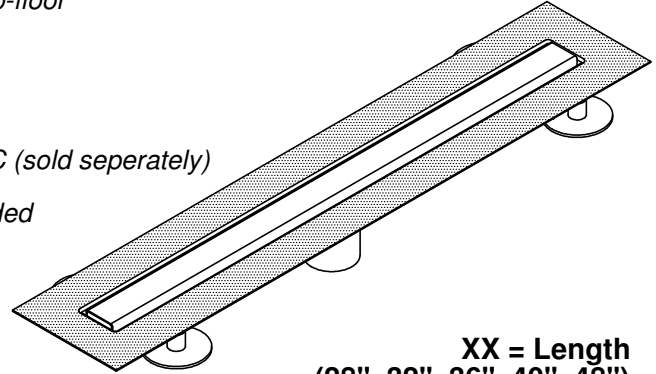




**Features**

- Available in 6 finishes
- Stainless steel trim cover & drain rough with 2" Polypropylene outlet
- Removable trim cover with no visible screws
- Height adjustable leveling pads position trim cover flush with tile surface
- Height adjustable support legs on drain rough to accommodate uneven sub-floor
- Drain rough design prevents standing water
- Outlet flow rate 18 gpm (68 Lpm) with 1/4" head of water
- Removable debris strainer
- Compatible with following waterproofing systems:  
 Liquid membrane with direct No-Hub connection  
 Hot mop or PVC/CPE when used with 9189, 9189-ABS or 9189-PVC (sold separately)
- Sanded flange to secure liquid membrane waterproofing
- Tile trim template, tile straight edge framing holders and mudguard included

**9180-2P-XX**  
(9185-XX & 9188-2P-XX)

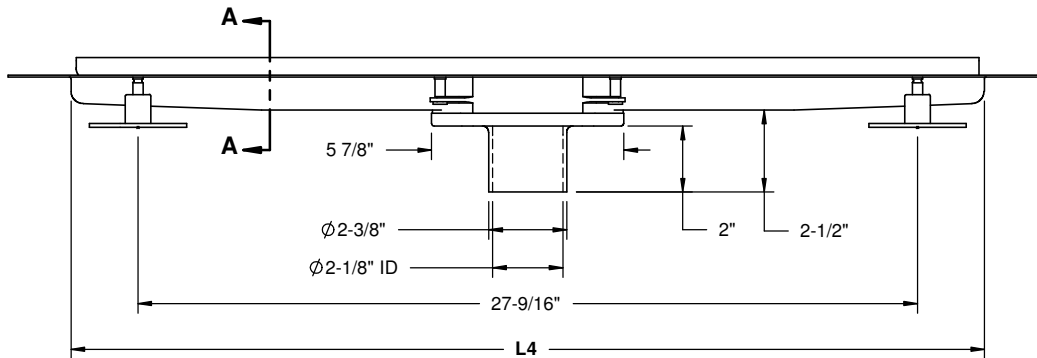
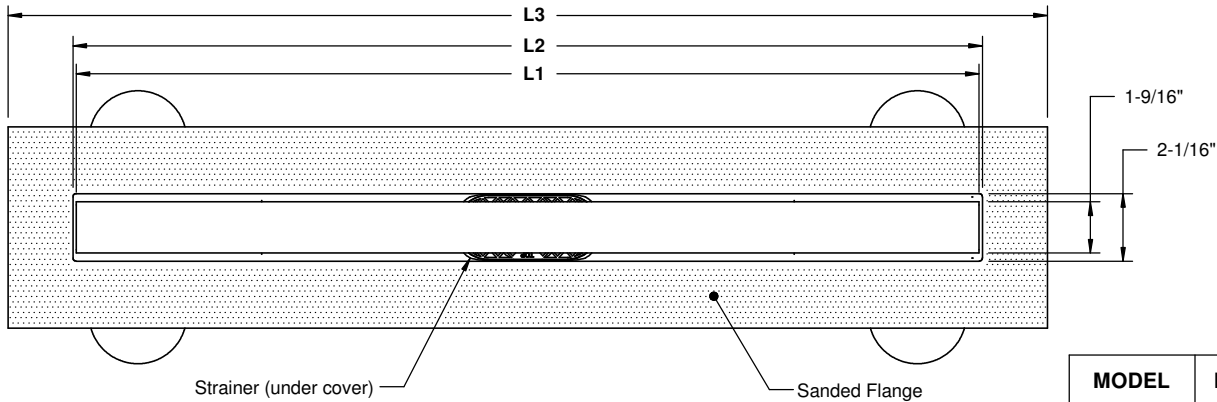


**XX = Length**  
(28", 32", 36", 40", 48")

**Codes/Standards Applicable**

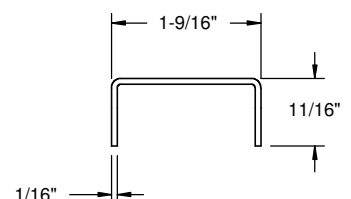
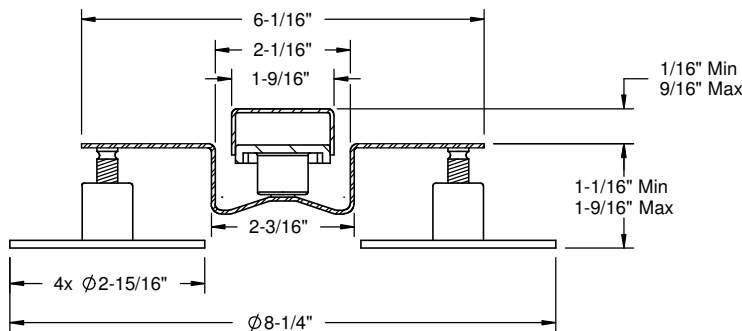
Specified model meets or exceeds the following:

- ASME A112.18.2-2005/CSA B125.2-05 & IAPMO IGC 195-2010



MODEL	L1	L2	L3	L4	MIN INSTALL LENGTH
9180-2P-28	27 <sup>3</sup> / <sub>8</sub> "	27 <sup>9</sup> / <sub>16</sub> "	31 <sup>1</sup> / <sub>2</sub> "	27 <sup>11</sup> / <sub>16</sub> "	32
9180-2P-32	31 <sup>3</sup> / <sub>16</sub> "	31 <sup>1</sup> / <sub>2</sub> "	35 <sup>7</sup> / <sub>16</sub> "	31 <sup>5</sup> / <sub>8</sub> "	36
9180-2P-36	35 <sup>1</sup> / <sub>4</sub> "	35 <sup>7</sup> / <sub>16</sub> "	39 <sup>3</sup> / <sub>8</sub> "	35 <sup>9</sup> / <sub>16</sub> "	40
9180-2P-40	39 <sup>3</sup> / <sub>16</sub> "	39 <sup>3</sup> / <sub>8</sub> "	43 <sup>5</sup> / <sub>16</sub> "	39 <sup>1</sup> / <sub>2</sub> "	44
9180-2P-48	47 <sup>1</sup> / <sub>16</sub> "	47 <sup>1</sup> / <sub>4</sub> "	51 <sup>3</sup> / <sub>16</sub> "	47 <sup>3</sup> / <sub>8</sub> "	52

**Section A-A**  
Scale 2:1



**Trim Cover Profile**

All Dimensions Shown To Nearest 1/16"