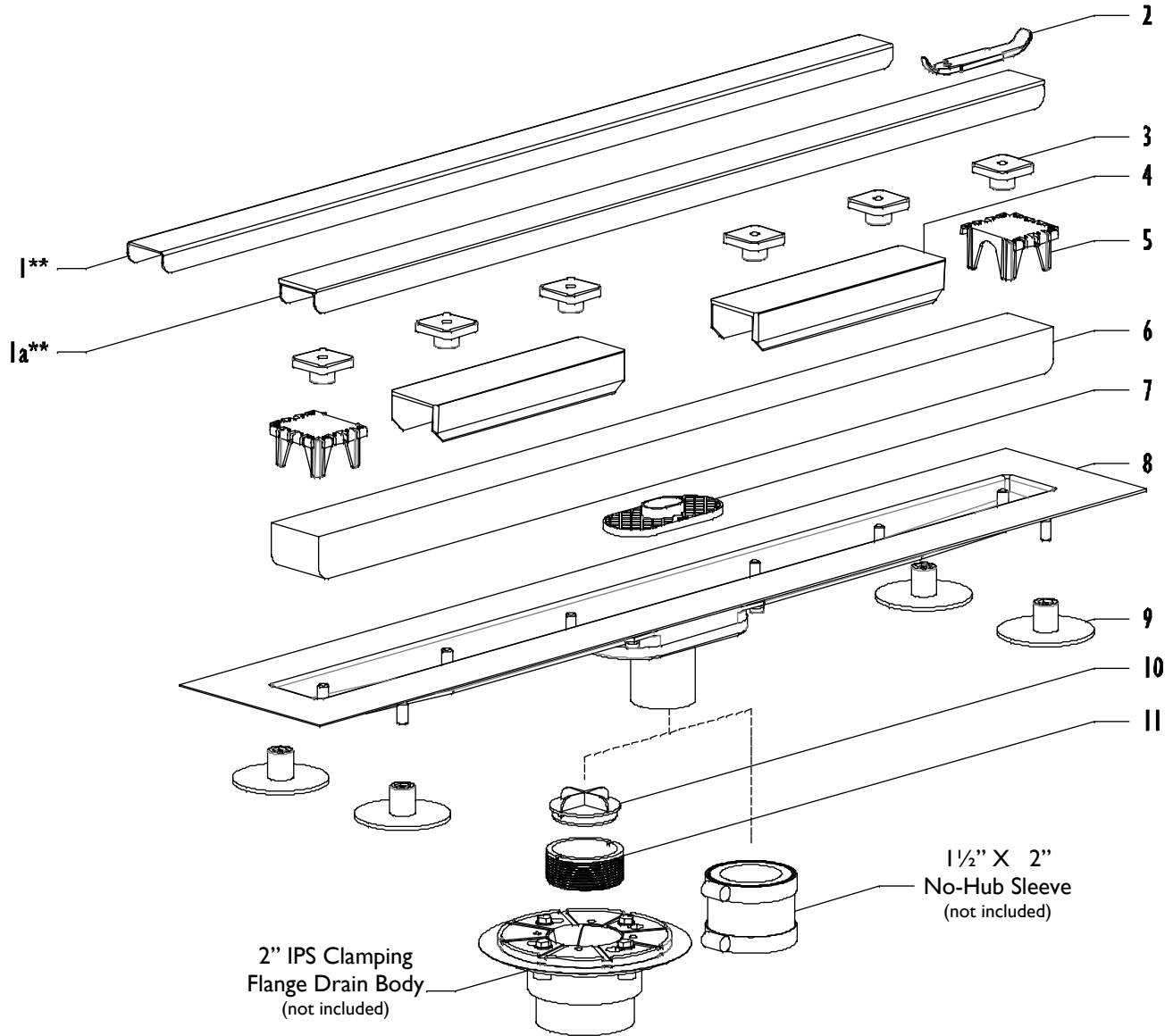


9180-XX and 9181-XX Metro Channel Drain Kit & Edge Channel Drain Kit Installation Instructions

CALIFORNIA FAUCETS RECOMMENDS THAT THIS PRODUCT BE INSTALLED BY A LICENSED PROFESSIONAL

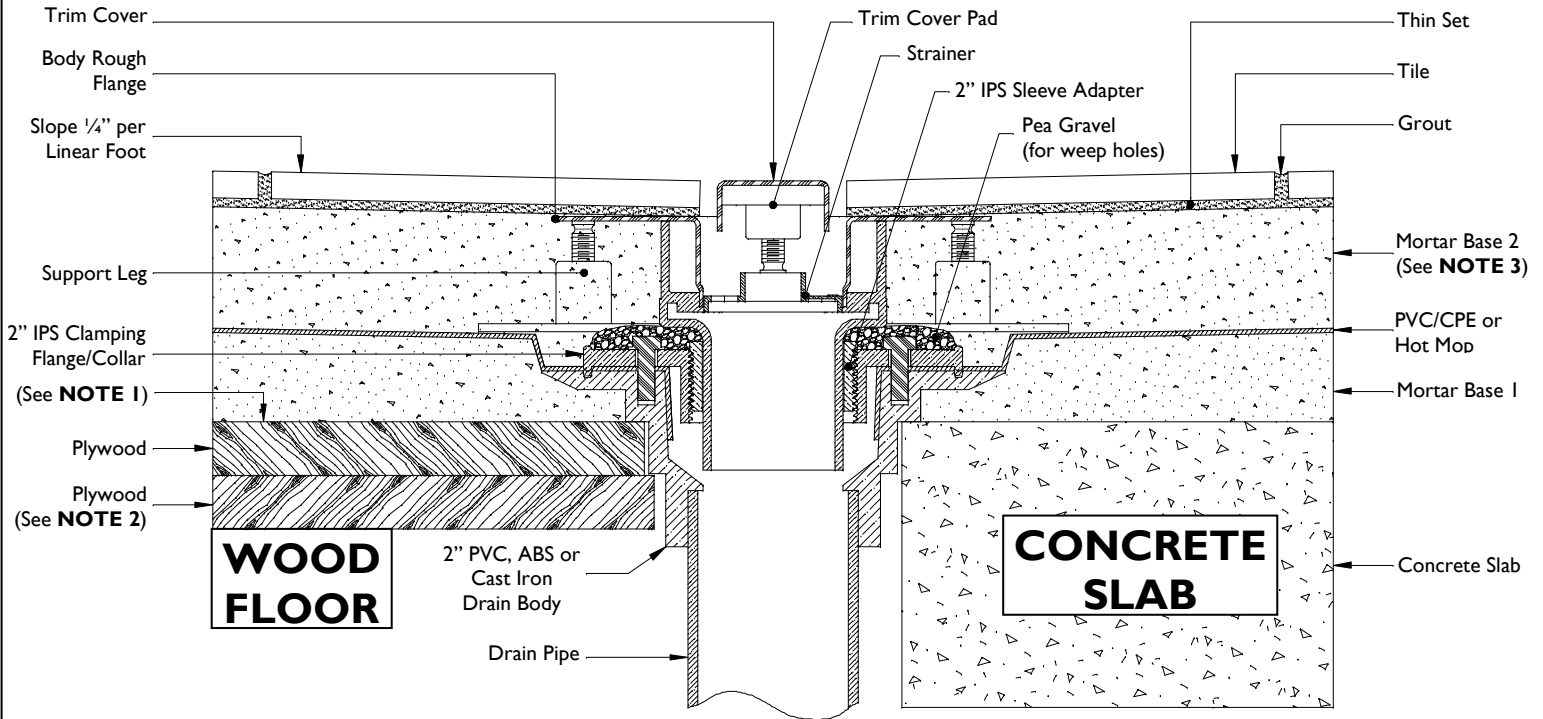


Parts included with complete kit

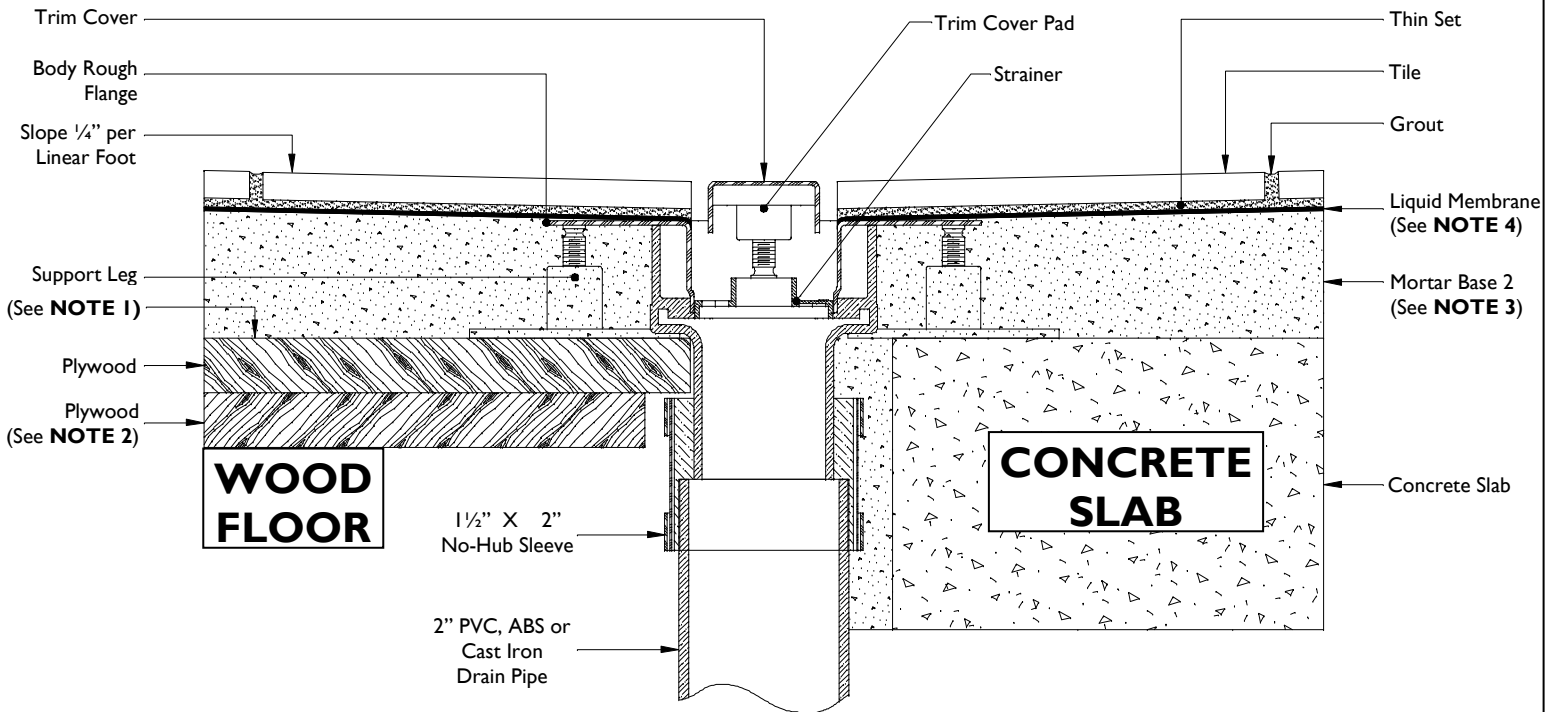
Item No.	Description	Qty
1 or 1a	Metro or Edge Trim Cover	1
2	Trim Cover Removal Key	1
3	Trim Cover Height Adjustment Pad	6*
4	Tile Trim Template	2
5	Tile Straight Edge Framing holder	2
6	Styrofoam Mudguard	1
7	Debris Strainer	1
8	Drain Body	1
9	Drain Body Height Adjustment Leg	4
10	Sleeve Adapter Insert Key	1
11	2" IPS Sleeve Adapter	1

* The 48" long channel drain kits have 8 total Trim Cover Height Adjustment Pads

Installation with 2" IPS Clamping Flange Body and PVC/CPE or Hot Mop Waterproofing



Installation with 1 1/2" X 2" No-Hub Sleeve and Liquid Membrane Waterproofing



NOTES:

1. Moisture resistant material should be used between plywood and mortar base
2. Floor (plywood) / joist structure should be of adequate strength to carry load from finished shower base
3. Mortar base thickness shall be 1" minimum
4. Liquid membrane waterproofing compliant to ANSI A118.10 (e.g. Hydro Ban™ by Laticrete® or others)