



California Faucets®

CERALINE®

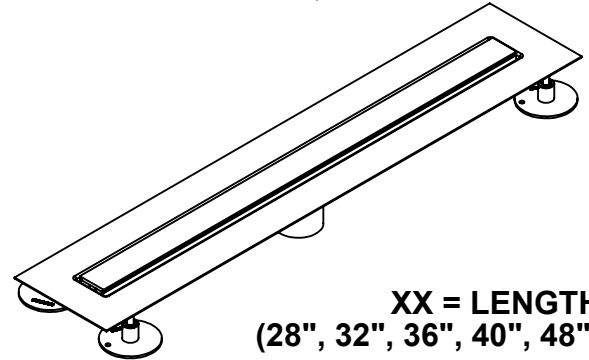
EDGE CHANNEL DRAIN KIT

Features

- Available in 6 finishes
- Veneer trim cover plate for sharp finished edge look
- Stainless steel trim cover & drain rough
- Removable trim cover with no visible screws
- Height adjustable leveling pads position trim cover flush with tile surface
- Height adjustable support legs on drain rough to accommodate uneven sub-floor
- Drain rough design prevents standing water
- Outlet flow rate 18 gpm (68 Lpm) with 1/4" head of water
- Removable debris strainer
- Compatible with following waterproofing systems:
 - Liquid membrane with direct No-Hub connection
- Sanded flange to secure liquid membrane waterproofing
- Tile trim template, tile straight edge framing holders and mudguard included

9181-2S-XX

(9188-2S-XX & 9186-XX)

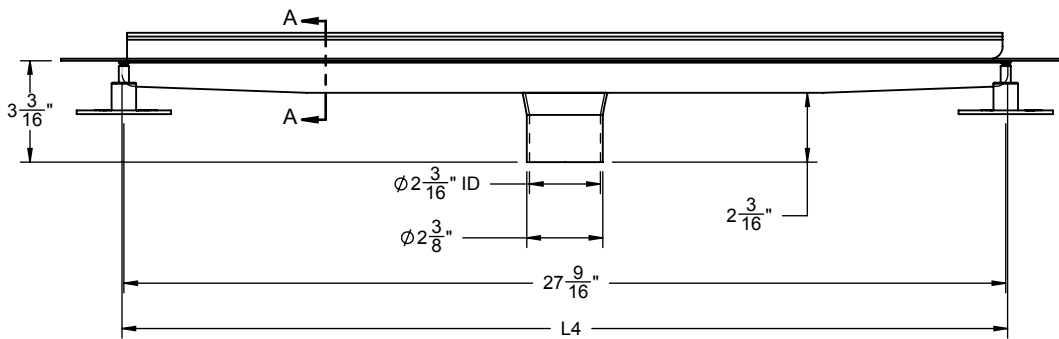
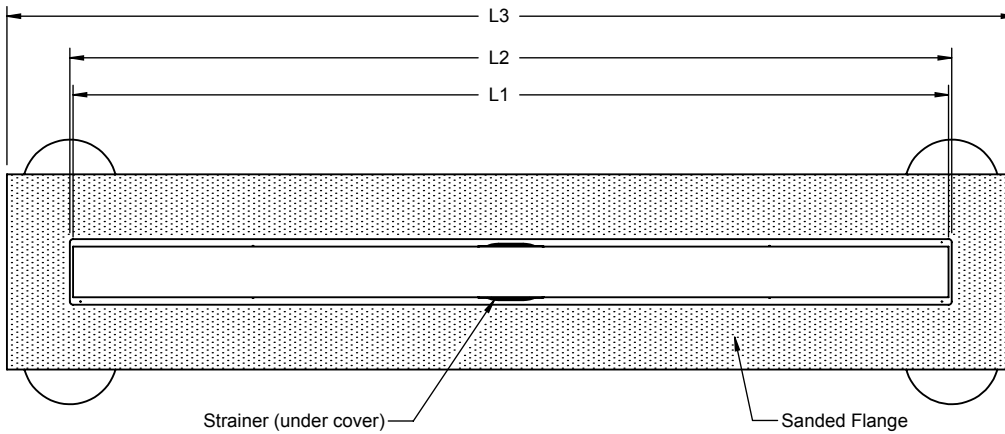


XX = LENGTH
(28", 32", 36", 40", 48")

Codes/Standards Applicable

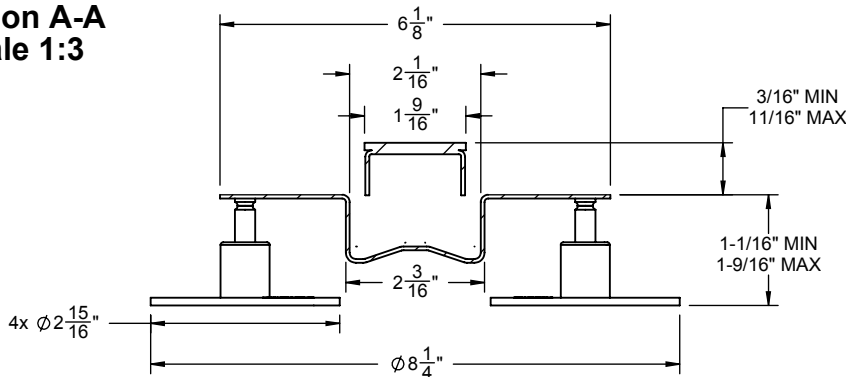
Meets or exceeds the following at date of manufacture:

- ASME A112.18.2-2005/CSA B125.2-05 & IAPMO IGC 195-2010
- NYC Plumbing Codes PC 417.3, PC 701.10 and PC 702.1

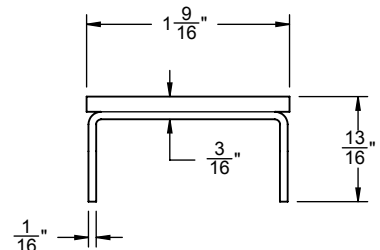


MODEL	L1	L2	L3	L4	MIN INSTALL LENGTH
9181-2S-28	27 ³ / ₈ "	27 ⁹ / ₁₆ "	31 ¹ / ₂ "	27 ¹¹ / ₁₆ "	32
9181-2S-32	31 ³ / ₁₆ "	31 ¹ / ₂ "	35 ⁷ / ₁₆ "	31 ⁵ / ₈ "	36
9181-2S-36	35 ¹ / ₄ "	35 ⁷ / ₁₆ "	39 ³ / ₈ "	35 ⁹ / ₁₆ "	40
9181-2S-40	39 ³ / ₁₆ "	39 ³ / ₈ "	43 ⁵ / ₁₆ "	39 ¹ / ₂ "	44
9181-2S-48	47 ¹ / ₁₆ "	47 ¹ / ₄ "	51 ³ / ₁₆ "	47 ³ / ₈ "	52

**Section A-A
Scale 1:3**



ALL DIMENSIONS SHOWN TO NEAREST 1/16"



Trim Cover Profile