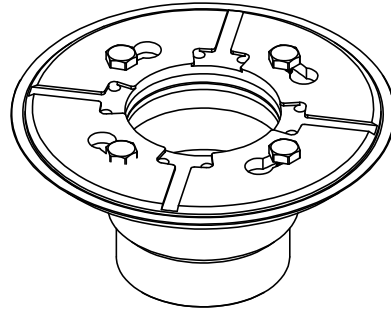




9189-ABS

Features

- ABS body with slip-fit reversible weep-hole membrane collar
- Dual outlet connection: 2" slip & 3" spigot
- Rubber sealing gasket in inlet
- For CERALINE installations that require weep hole drainage
- For complete selection, see www.californiafaucets.com



Codes/Standards Applicable

Meets or exceeds the following at date of manufacture:

- ASME A112.18.2/CSA B125.2

ABS 2"/3"

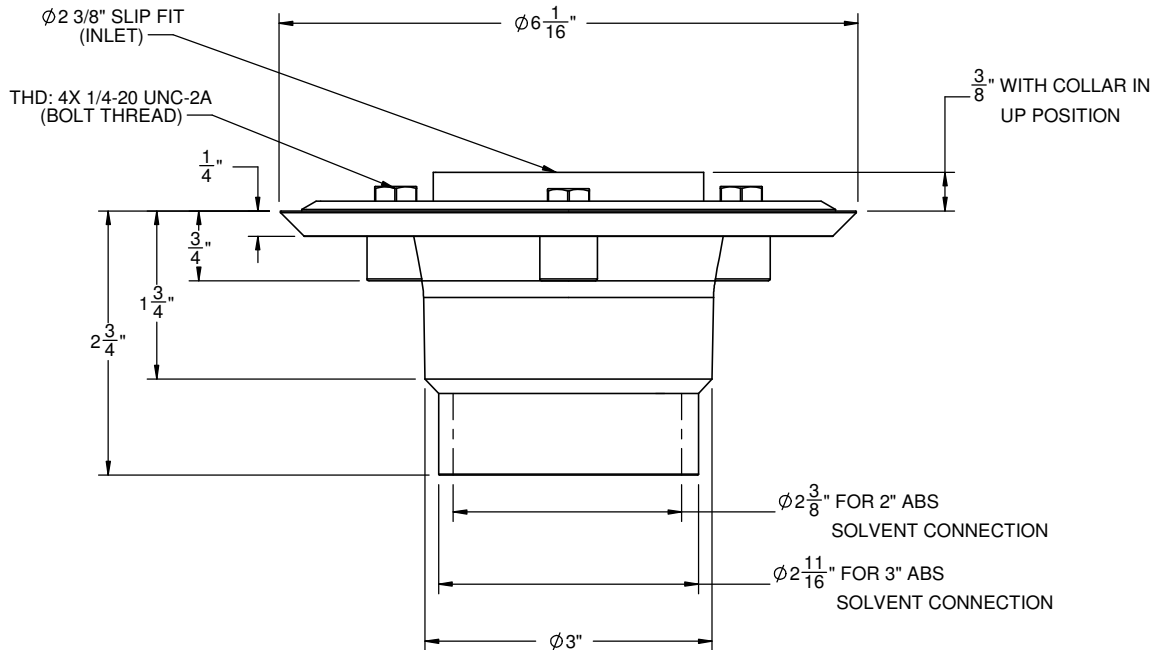
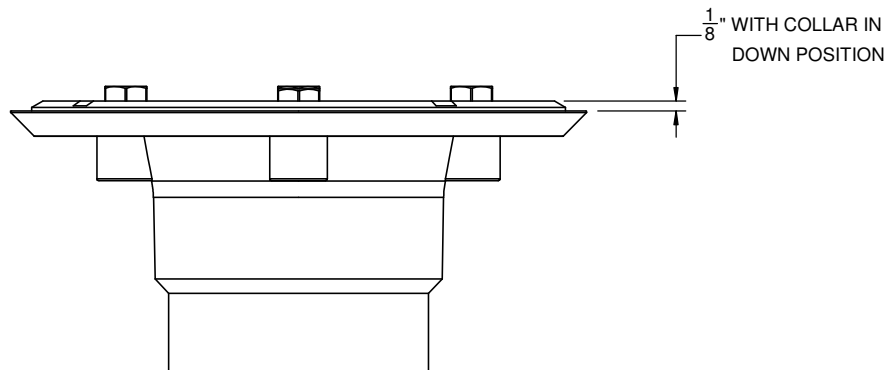


Figure 1. COLLAR IN UP POSITION

Figure 2. COLLAR IN DOWN POSITION



ALL DIMENSIONS SHOWN TO NEAREST 1/16"