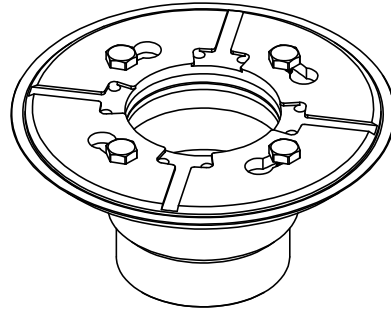




**9189-PVC**

**Features**

- PVC body with slip-fit reversible weep-hole membrane collar
- Dual outlet connection: 2" slip & 3" spigot
- Rubber sealing gasket in inlet
- For CERALINE installations that require weep hole drainage
- For complete selection, see [www.californiafaucets.com](http://www.californiafaucets.com)



**Codes/Standards Applicable**

Meets or exceeds the following at date of manufacture:

- ASME A112.18.2/CSA B125.2

**PVC 2"/3"**

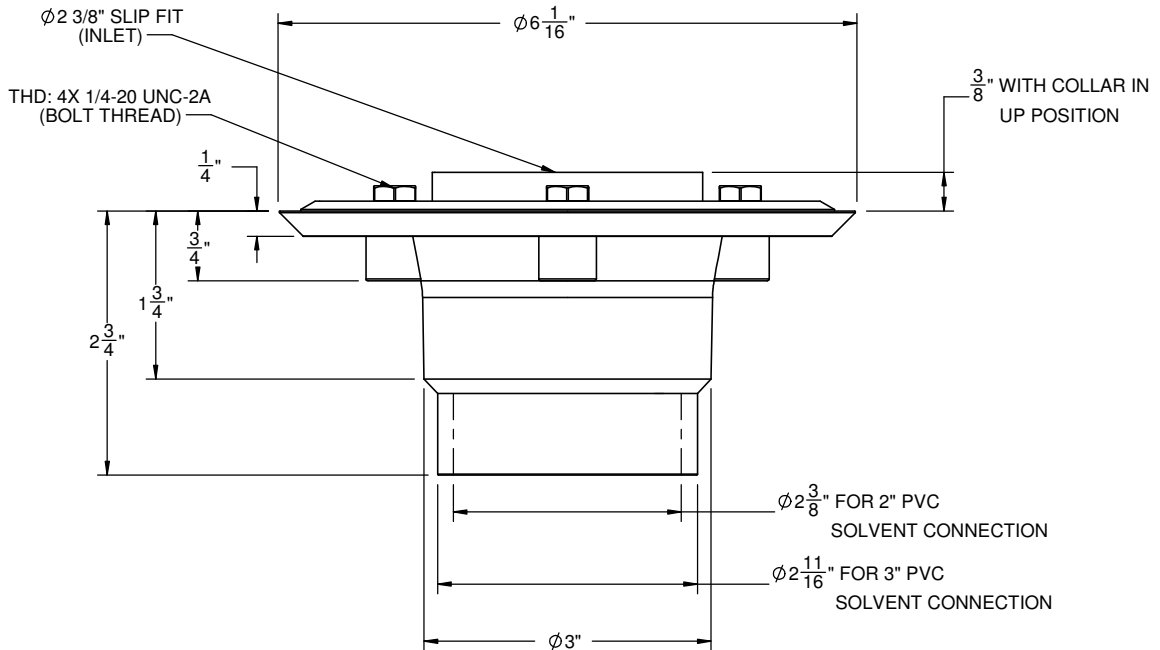
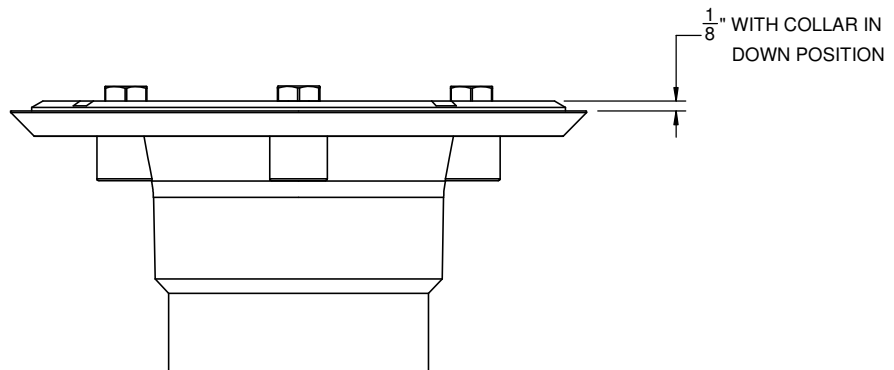


Figure 1. COLLAR IN UP POSITION

Figure 2. COLLAR IN DOWN POSITION



ALL DIMENSIONS SHOWN TO NEAREST 1/16"