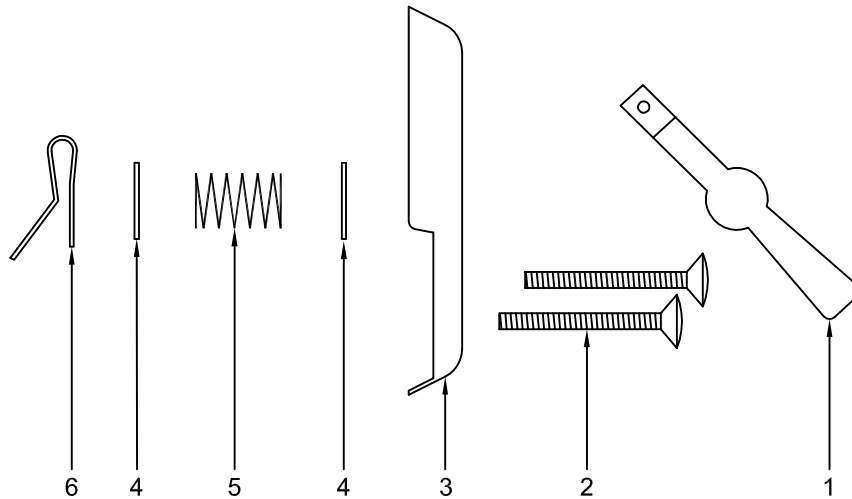
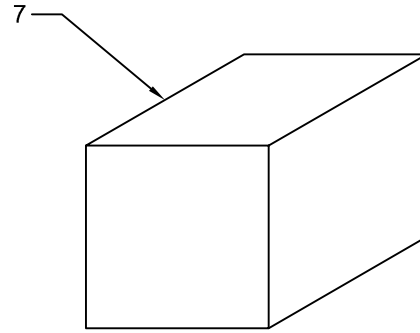


NOTE:

1. XX DENOTES FINISH



Pos.	Description	Qty.	CF Part #
1	LEVER, 9234, 9220, 9221, 9222	1	922528-XX
2	SCREW, FACEPLATE, 9232, 9233, 9234, 9220, 9221, 9222, 1/4" X 20	2	921773-XX
3	FACE PLATE, LEVER, TRIP	1	921772-XX
4	WASHER, BRASS, LEVER, 9234, 9220, 9221, 9222	2	922529-98
5	SPRING, LEVER, 9234, 9220, 9221, 9222	1	922530-99
6	PIN, SPLIT, 9234, 9220, 9221, 9222	1	922531-99
7	CARTON, KRAFT, 3" X 3" X 3"	1	33010802



California Faucets®
 info@calfaucets.com
 www.calfaucets.com

FIXTURE: TRIP LEVER

ASSEMBLY NUMBER: 923522-XX

REFERENCE NUMBER: 9234

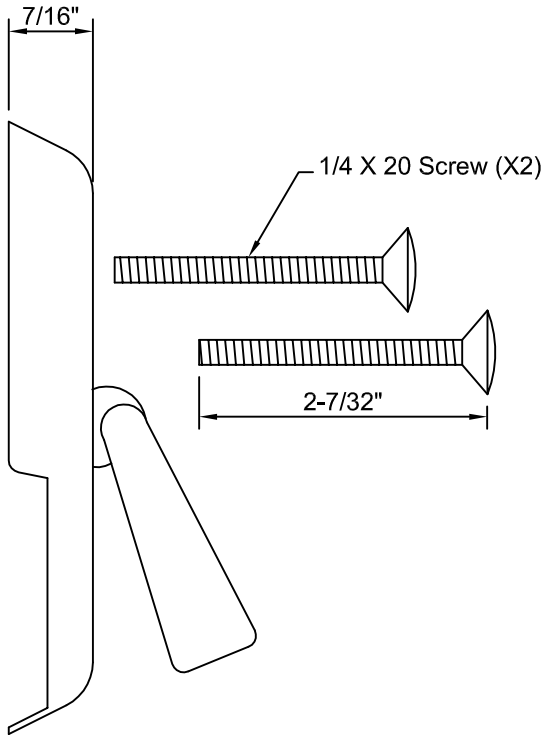
STARTING DATE: 07/25/05

REVISION DATE: 08/17/07

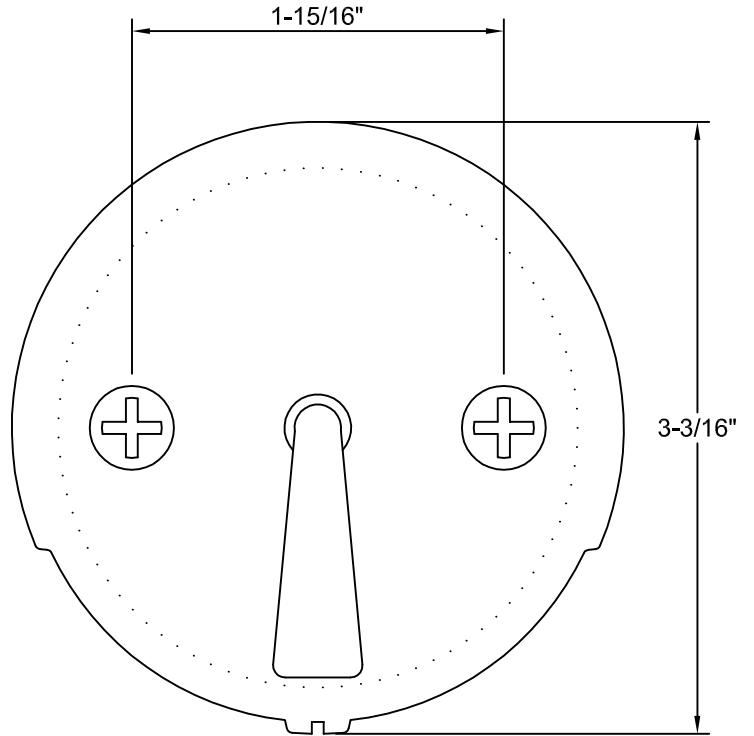
APPROVED BY: J. WOJTASZEK

SCALE: NONE

DRAWN BY: W. LINARES



Side View



Front View