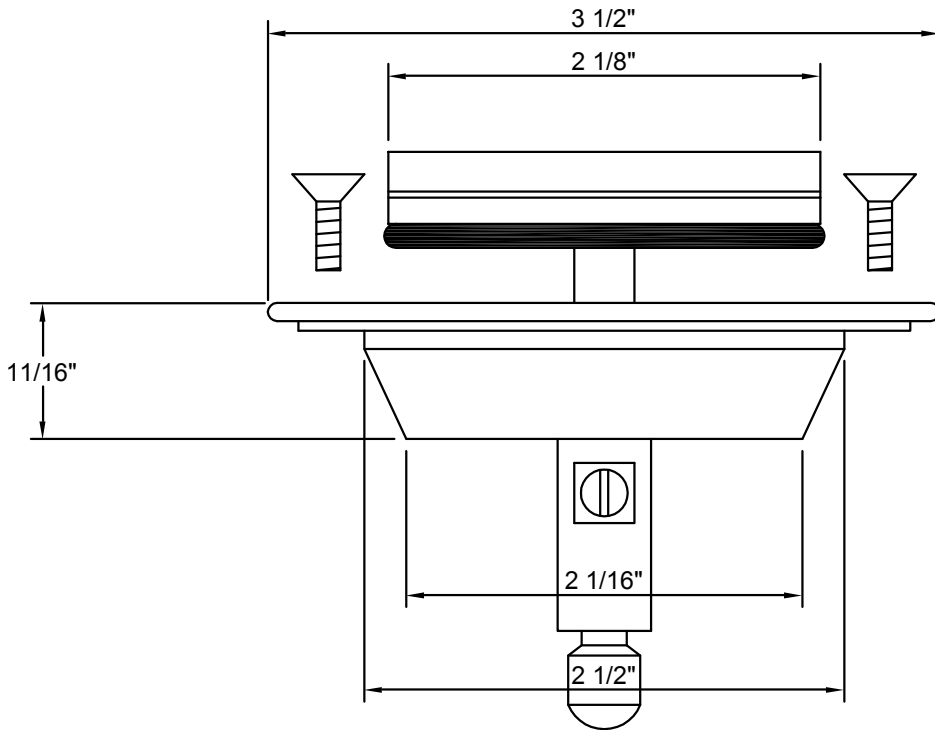


**Top View**



**Side View**

  
**California Faucets®**  
 info@calfaucets.com  
 www.calfaucets.com

<b>FIXTURE:</b> <b>ROMAN TUB DRAIN</b>	<b>STARTING DATE:</b> August 23, 2005
<b>SUBASSEMBLY #</b>	<b>REVISION DATE:</b>
<b>REF NO #</b> <b>9237</b>	<b>APPROVED BY:</b>
	<b>SCALE:</b> 1:1 Not to scale when pdf'd
	<b>DRAWN BY:</b> William Linares <small>william@calfaucets.com</small>