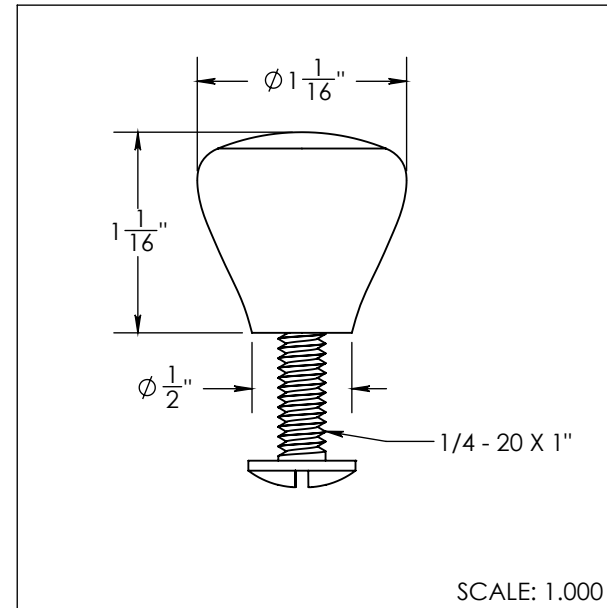
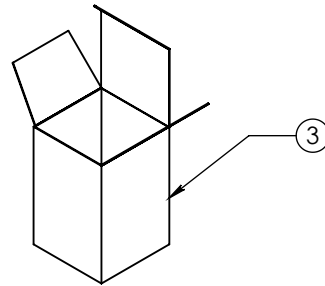
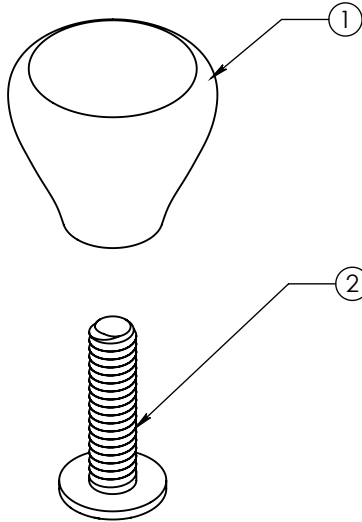
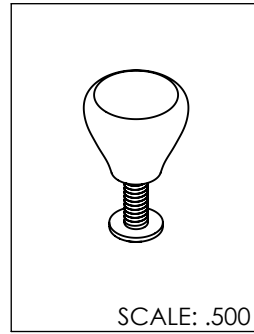


NOTES:

BILL OF MATERIALS			
ITEM	PART NO.	DESCRIPTION	QTY.
1	411166-40	KNOB, LIFT, W/BRASS INSERT, PORCELAIN	1
2	881810-99	SCREW, 1/4 - 20 UNC - 2A X 1" ZINC PLATED	1
3	33010252	CARTON, KRAFT, 2" X 2" X 3"	1



PROPRIETARY AND CONFIDENTIAL: THE INFORMATION CONTAINED IN THIS DRAWING IS THE SOLE PROPERTY OF CALIFORNIA FAUCETS. ANY REPRODUCTION IN PART OR AS A WHOLE WITHOUT THE WRITTEN PERMISSION OF CALIFORNIA FAUCETS IS STRICTLY PROHIBITED. ALL RIGHTS RESERVED.



REV	REV DESC	DATE	APPR'D
--	RELEASE	07/06/07	JW

CABINET KNOB
SERIES 35

NEXT ASM: --	USED ON: --
DRAWN: C. WULF	07/06/07
APPR'D: J. WOJTASZEK	07/06/07

DWG NO.	9488-35	REV	--
SCALE: 1.000	SHEET 1	OF	1