



California Faucets®

9516

Rough for Floor Mount Tub Filler (for use with 1103-XX, 1203-XX, 1303-XX & 1403-XX)

Installation Instructions

CALIFORNIA FAUCETS RECOMMENDS THAT ALL PLUMBING PRODUCTS BE INSTALLED BY A LICENSED PROFESSIONAL

IMPORTANT: Read all instructions prior to installation and provide copy of instructions to consumer.

Operating Specifications:

Recommended Supply Pressure: 20 to 70 psi^{††}

Maximum Flow Rate: 15 gpm

* Operating pressures between hot and cold supplies should vary no more than 30 psi.

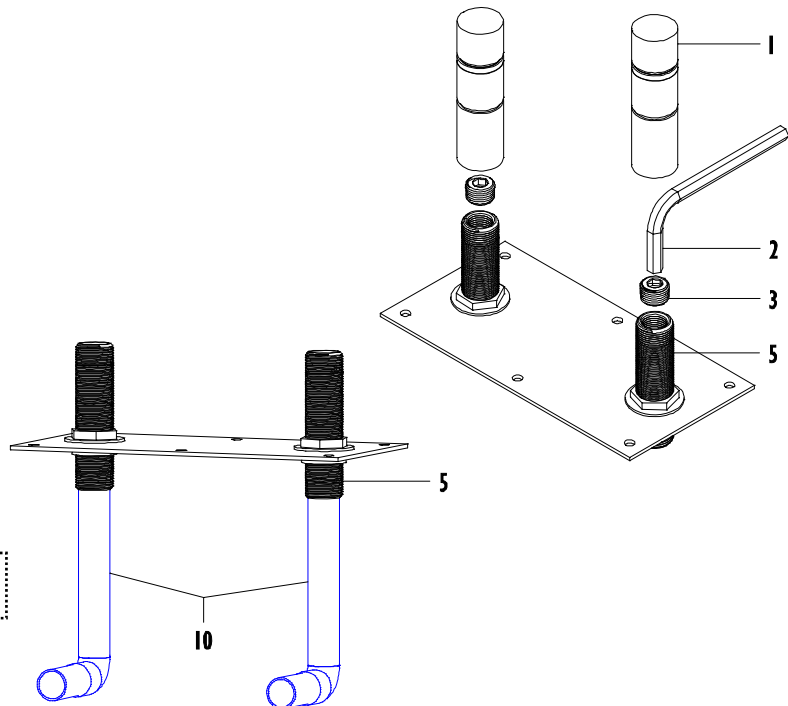
† If water pressure exceeds 70 psi, install a Pressure-Reducing Valve (RPV).

1 PREPARING SUPPLY NIPPLES

- Remove MUDGUARDS ①
- Using 3/8" hex KEY ② (not supplied), remove 1/2" PLUGS ③ from NIPPLES ⑤

Important: It is the responsibility of the **INSTALLER** to refer to the various installation methods shown in steps ③ or ⑤ to determine proper rigid copper PIPES ⑩ lengths.

- Solder or use female adapter to attach rigid copper PIPES ⑩ to bottom inlet of NIPPLES ⑤

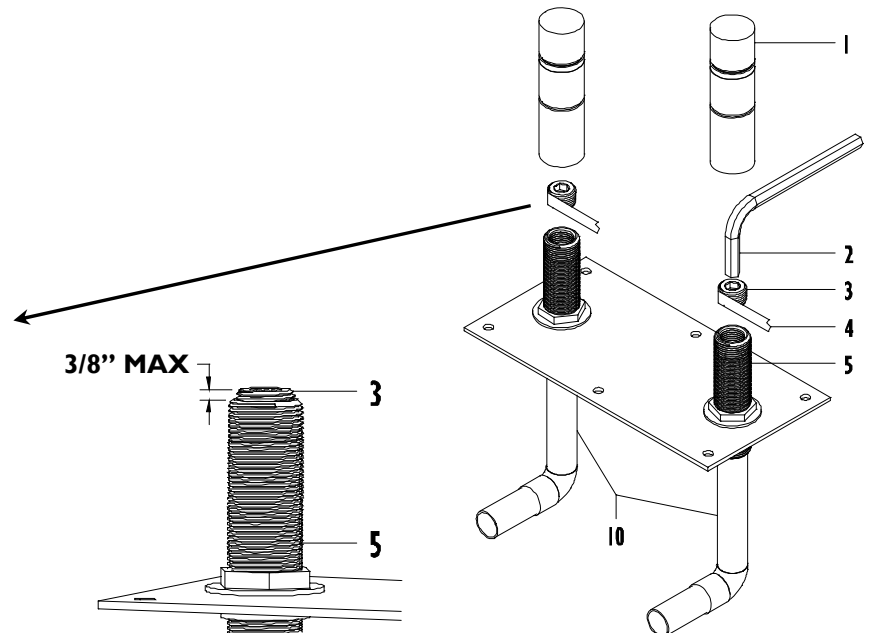


2 WATER TIGHT SEAL

- Apply Teflon® TAPE ④ (not supplied) onto PLUGS ③
- Using 3/8" hex KEY ② (not supplied), secure 1/2" PLUGS ③ (MAX height 3/8") into NIPPLES ⑤

Important: Tighten PLUGS ③, 3/8" MAX height into NIPPLES ⑤ so that PLUG ③ does not interfere with MUDGUARD ①
Only supplied PLUGS ③ may be used to ensure proper fit and installation height of MUDGUARDS ①

- Place MUDGUARDS ① onto NIPPLES ⑤



3 INSTALLING IN WOOD FLOOR

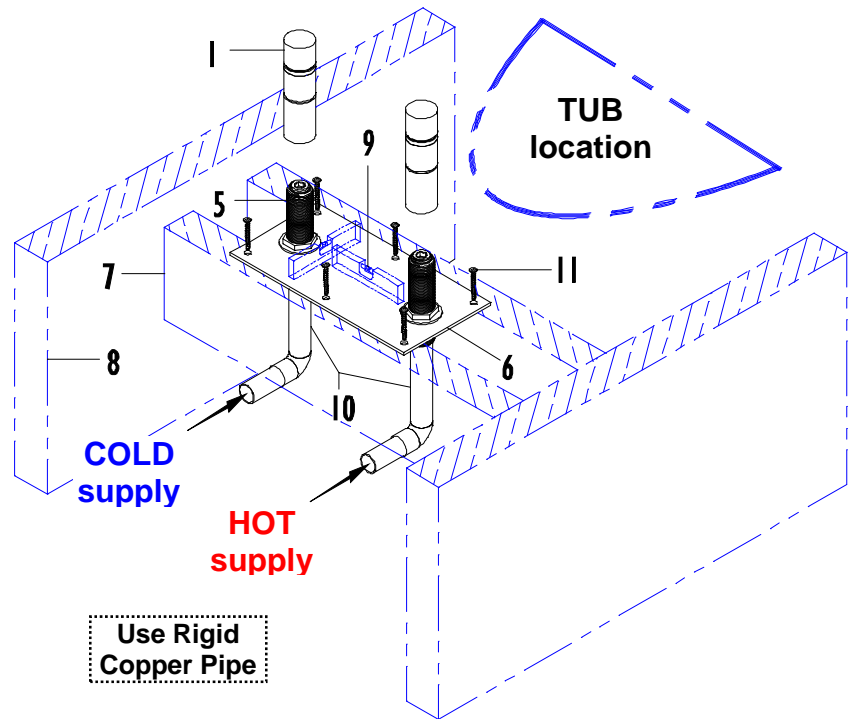
- Determine location of tub & faucet prior to proceeding

Important: It is the responsibility of the **INSTALLER** to ensure that the floor rough is properly secured to all sub-floor construction. All local building and plumbing codes and/or ordinances, shall be followed to confirm proper secure installation.

- After determining tub location preparing the floor is necessary to properly support the rough **PLATE** 6 by using 2 x 4 wood cross **SUPPORT** 7 which are attached floor **JOIST** 8

Important: It is the responsibility of the **INSTALLER** to have some knowledge of finished floor thickness before proceeding.

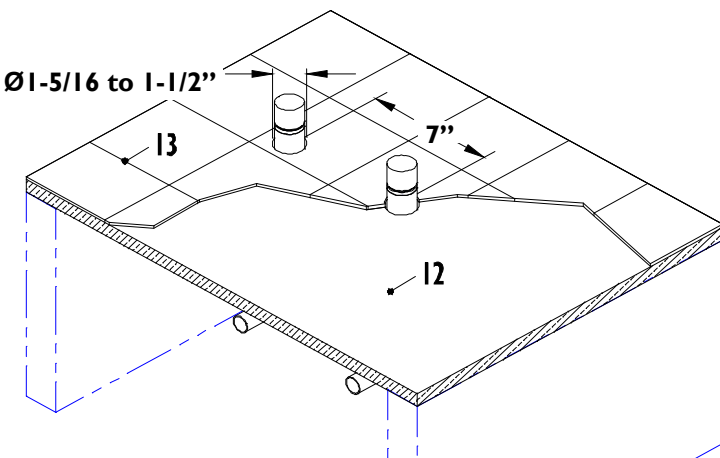
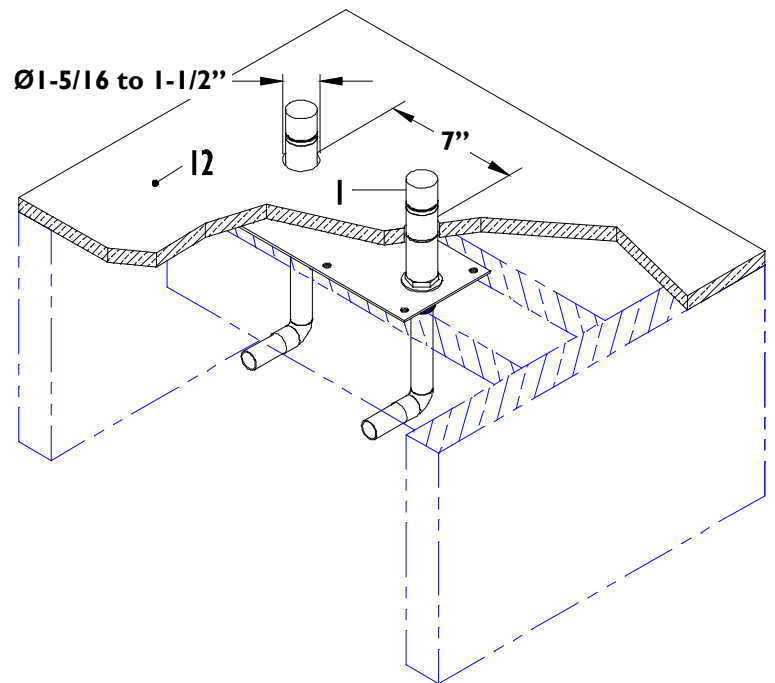
- Place **MUDGUARDS** 1 onto **NIPPLES** 5
- Use a **LEVEL** 9 to properly level the **PLATE** 6 and **SUPPORTS** 7 in all directions; vertical height of **PLATE** 6 is determined by using the **MIN/MAX** finished floor marks on **MUDGUARD** 1
- Verify that copper **PIPES** 10 attached to bottom of **NIPPLES** 5 clear **SUPPORT** 7; adjust in necessary
- Using **SCREWS** 11 secure the **PLATE** 6 to both **SUPPORTS** 7 and attach to floor **JOIST** 8
- Connect water supply to preassembled copper **PIPES** 10 and check for leaks



4 FINISHED FLOORING (on wood)

Important: It is the responsibility of the **INSTALLER** to have some knowledge of finished floor thickness before proceeding.

- Apply top floor **SUBSTRATE** 12 around **MUDGUARDS** 1, the two through holes shall be $\text{Ø}1\text{-}5/16\text{''}$ to $1\text{-}1/2\text{''}$ diameter and 7" center to center
- Apply top floor **COVERING** 13 (e.g. tile, stone, etc...) to floor **SUBSTRATE** 12
- Finished floor **COVERING** 13 must fall between the **MIN/MAX** marks on **MUDGUARD** 1 for proper installation of Floor Mounted Tub Filler Faucet



5 INSTALLING IN CONCRETE

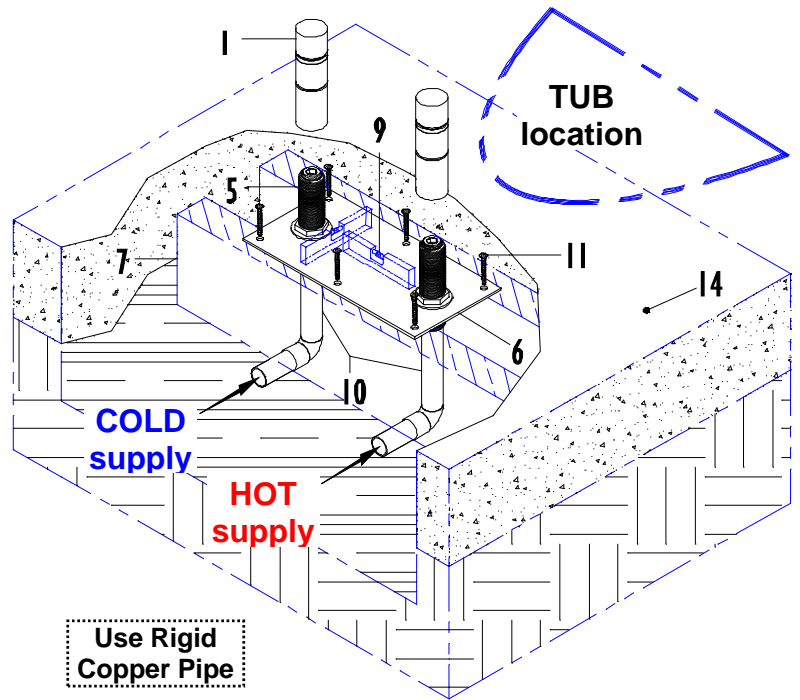
- Determine location of tub & faucet prior to proceeding

Important: It is the responsibility of the **INSTALLER** to ensure that the floor rough is properly secured to all sub-flooring construction. All local building and plumbing codes and/or ordinances, shall be followed to confirm proper secure installation.

- After determining tub location preparing the floor is necessary to properly support the rough **PLATE 6** by using 2 x 4 wood cross **SUPPORT 7** below the surrounding **CONCRETE 14** top surface

Important: It is the responsibility of the **INSTALLER** to have some knowledge of finished floor thickness before proceeding.

- Place **MUDGUARDS 1** onto **NIPPLES 5**
- Use a **LEVEL 9** to properly level the **PLATE 6** and **SUPPORTS 7** in all directions; vertical height of **PLATE 6** is determined by using the **MIN/MAX** finished floor marks on **MUDGUARD 1**
- Verify that copper **PIPES 10** attached to bottom of **NIPPLES 5** clear **SUPPORT 7**; adjust in necessary
- Using **SCREWS 11** secure the **PLATE 6** to both **SUPPORTS 7**
- Connect water supply to preassembled copper **PIPES 10** and check for leaks



6 FINISHED FLOORING (on concrete)

Important: It is the responsibility of the **INSTALLER** to have some knowledge of finished floor thickness before proceeding.

- Pour concrete FILLER (15) around MUDGUARD (1) encasing PLATE (6) and filling to surrounding CONCRETE (14)
- Apply top floor COVERING (13) (e.g. tile, stone, etc...) onto concrete FILLER (15) and surrounding CONCRETE (14)
- Finished floor COVERING (13) must fall between the MIN/MAX marks on MUDGUARD (1) for proper installation of Floor Mounted Tub Filler Faucet

