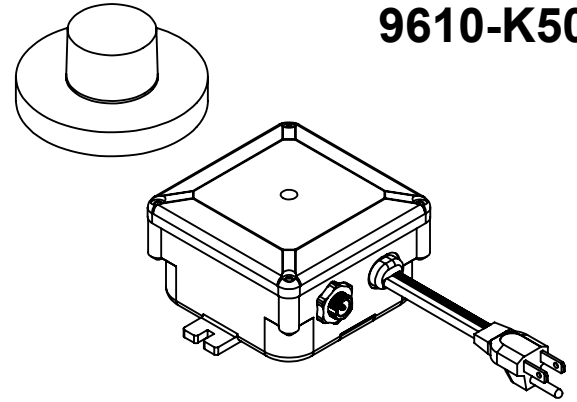




### Features

- Solid brass construction trim
- Includes 5' flexible tubing
- Control box has dual outlets
- One outlet is always "ON" except when air switch is activated
- Over 30 finishes including 15 PVD finishes
- 13A (non-inductive) @ 120V AC
- 1/2 HP (.373 kW) @ 120V AC
- 50-60 Hz

# 9610-K50



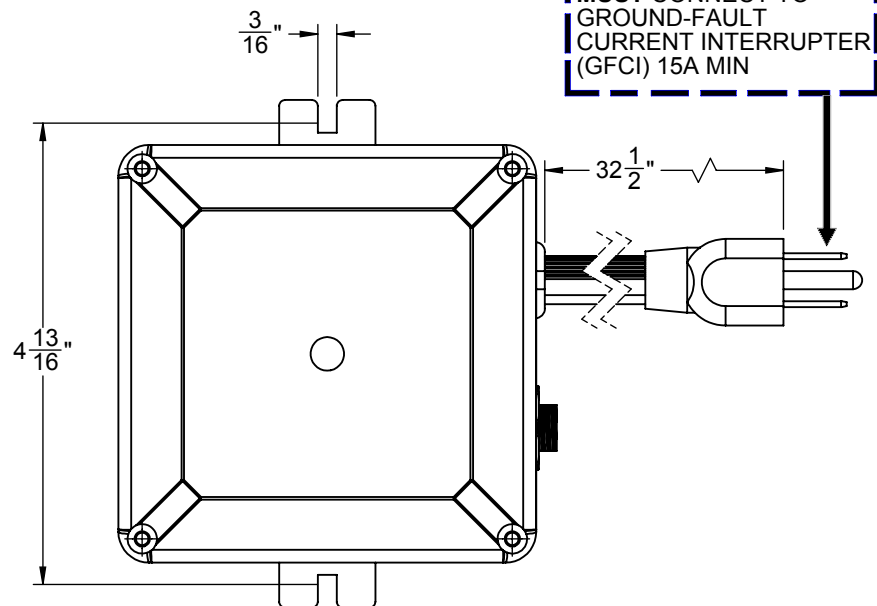
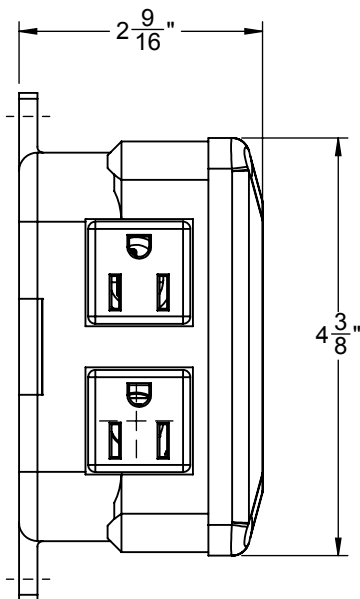
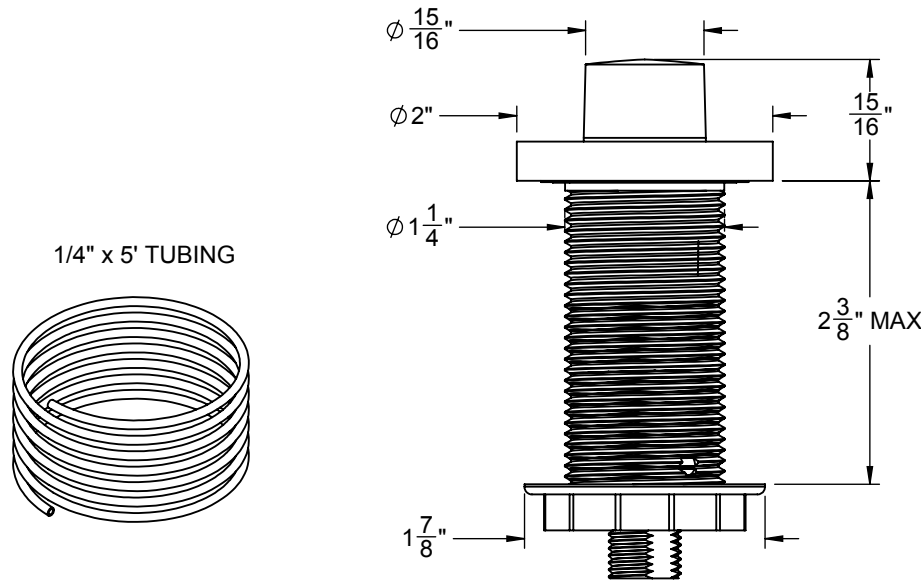
### Codes/Standards Applicable

Meets or exceeds the following at date of manufacture:

- UL listed U.S. and Canada (control box)

#### THROUGH-HOLE SPECIFICATIONS

MIN	RECOMENDED	MAX
Ø 1-1/4"	Ø 1-1/4"	Ø 1-3/8"



ALL DIMENSIONS SHOWN TO NEAREST 1/16"