



California Faucets®

Builder's Series

WIDESPREAD LAVATORY FAUCET

Features

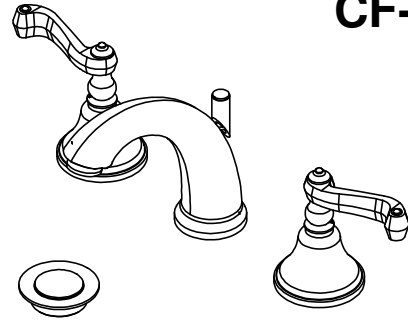
- 4-5/8" spout center to center
- 1/4 turn ceramic disc cartridge(s)
- Flexible braided hoses for easy installation
- ϕ 1-1/4" all brass lift rod style pop up drain assembly
- 1.2 gpm (4.5 L/min) max flow rate
- Solid brass construction
- Over 30 finishes including 15 PVD finishes

Codes/Standards

Product meets or exceeds the following:

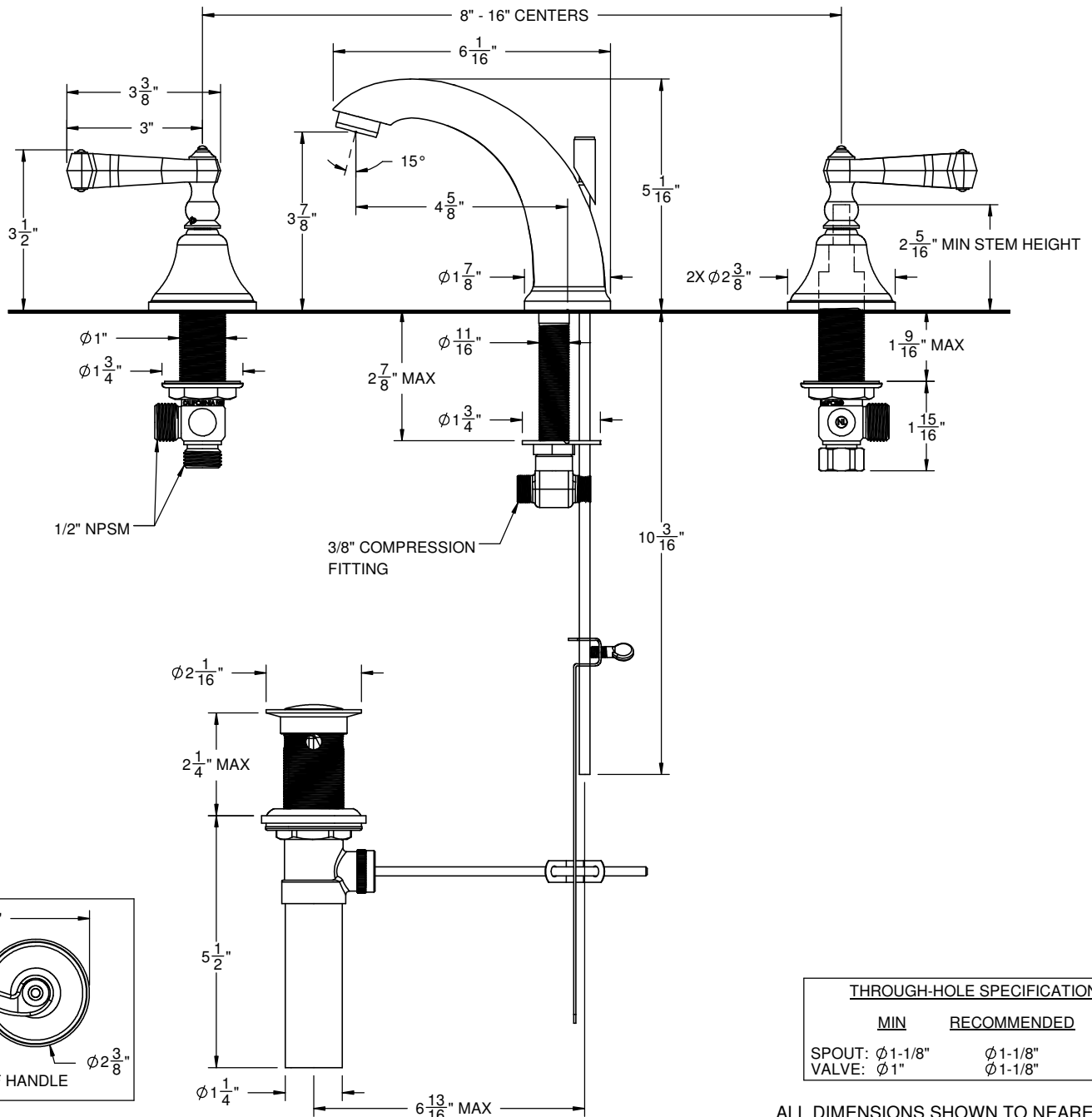
- ASME A112.18.1/CSA B125.1
- NSF/ANSI 61 & NSF/ANSI 372
- CEC
- ADA compliant (with lever handles)

CF-2102-XX



CF-2102-SM shown

XX = DENOTES HANDLE STYLE



THROUGH-HOLE SPECIFICATIONS		
MIN	RECOMMENDED	MAX
SPOUT: ϕ 1-1/8"	ϕ 1-1/8"	ϕ 1-1/2"
VALVE: ϕ 1"	ϕ 1-1/8"	ϕ 1-1/2"

ALL DIMENSIONS SHOWN TO NEAREST 1/16"