



California Faucets®

Belmont™

SINGLE HOLE LAVATORY FAUCET

CF-3501-1

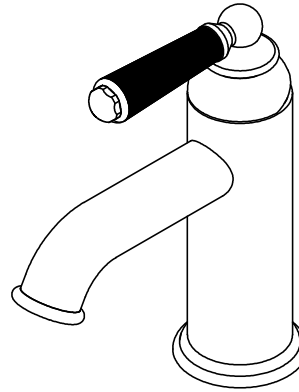
Features

- 4-9/16" spout center to center
- Single handle operation cartridge with ceramic disc
- Flexible braided hoses for ease of installation
- ϕ 1-1/4" all brass touch style pop up drain assembly
- Flush mount aerator insert
- 1.2 gpm (4.5 L/min) max flow rate
- Solid brass construction
- Over 30 finishes including 15 PVD finishes

Codes/Standards

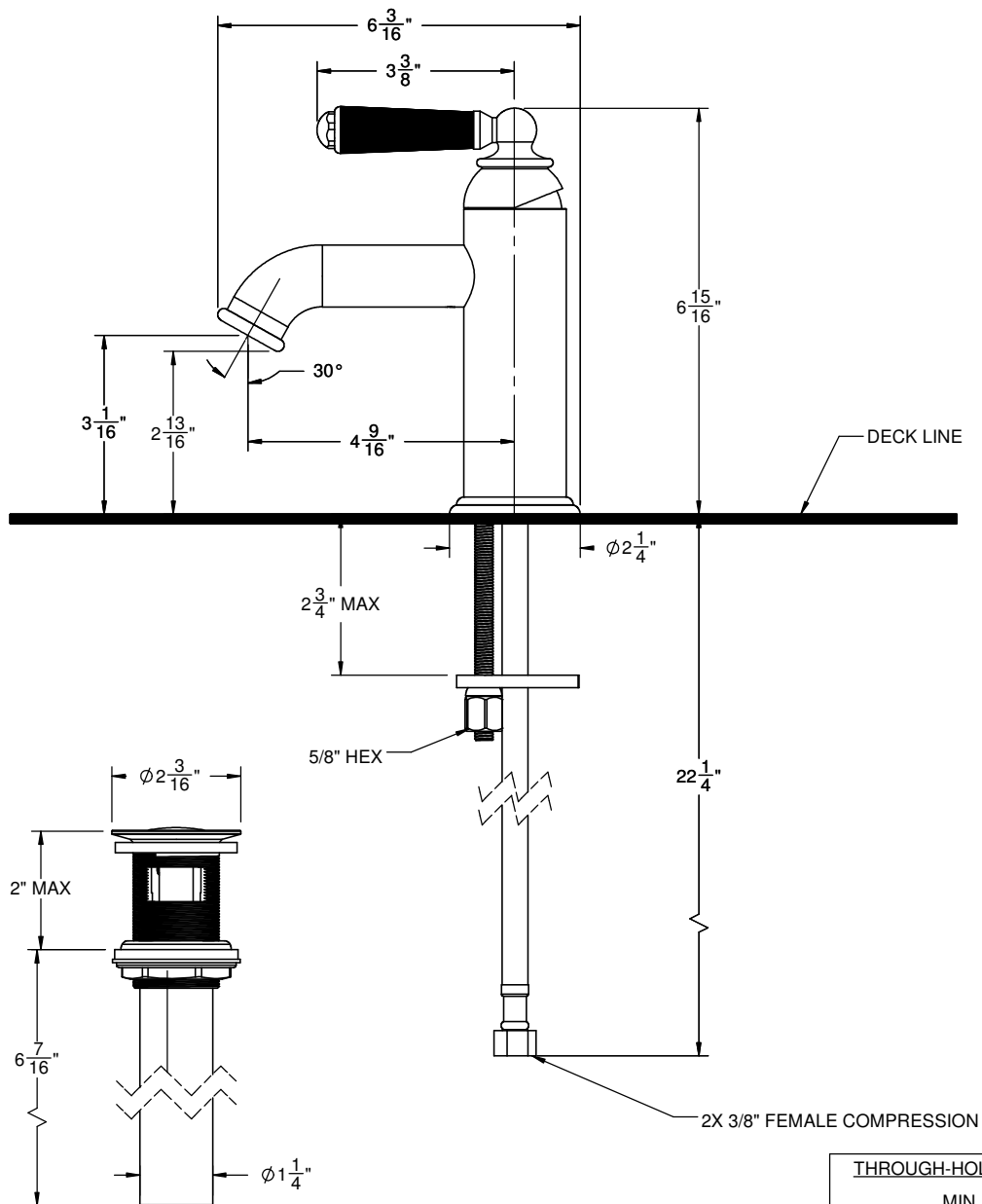
Product meets or exceeds the following:

- ASME A112.18.1/CSA B125.1
- NSF/ANSI 61 & NSF/ANSI 372
- CEC
- ADA compliant



CF-3501-1-HXX

(XX = Optional Series Handle)

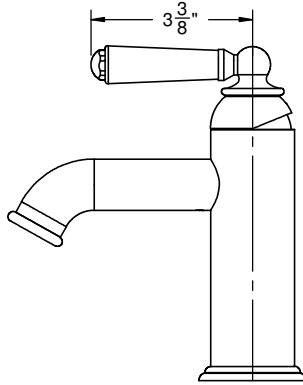
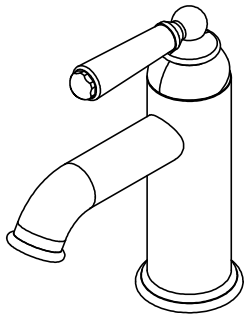


THROUGH-HOLE SPECIFICATIONS		
	MIN	RECOMMENDED
SPOUT:	ϕ 1-1/4"	ϕ 1-3/8"
DRAIN:	ϕ 1-1/2"	ϕ 1-3/4"

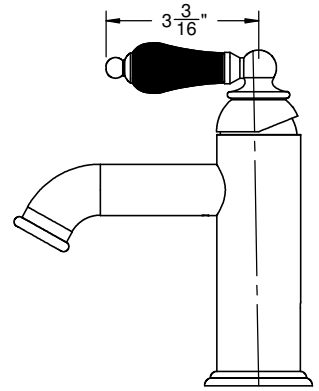
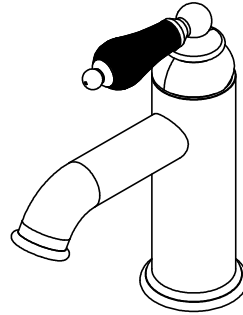
ALL DIMENSIONS SHOWN TO THE NEAREST 1/16"



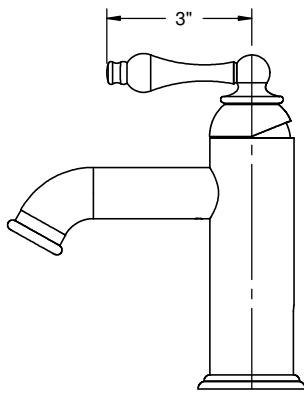
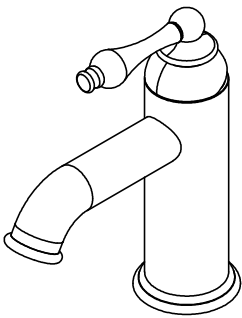
CF-3501-1-H33



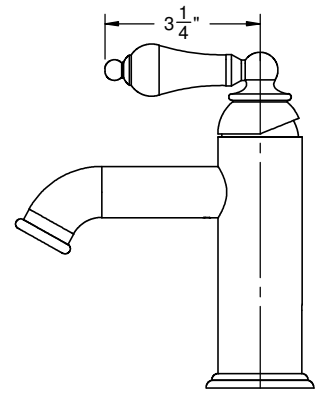
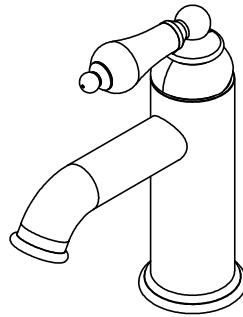
CF-3501-1-H40



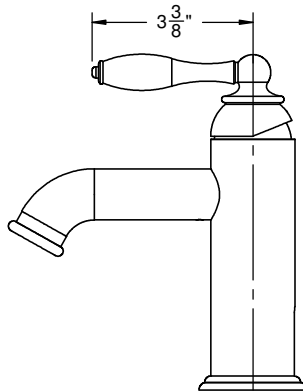
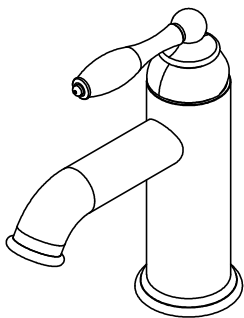
CF-3501-1-H42



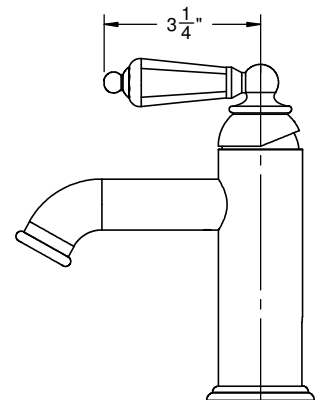
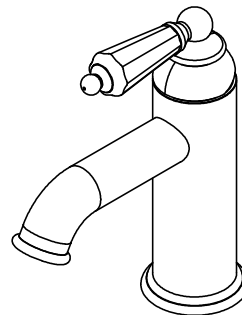
CF3501-1-H55



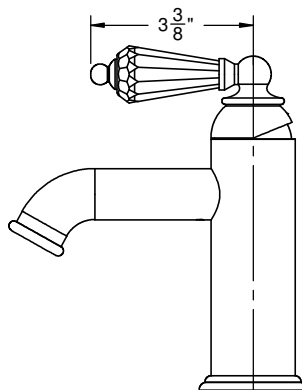
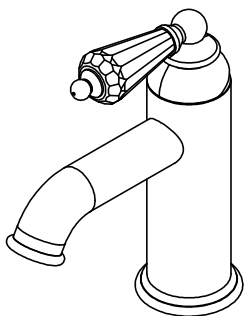
CF-3501-1-H64



CF-3501-1-H68



CF-3501-1-CLEV



Dimensions Shown to Nearest 1/16"