



California Faucets®

# Belmont™

## SINGLE HOLE LAVATORY FAUCET

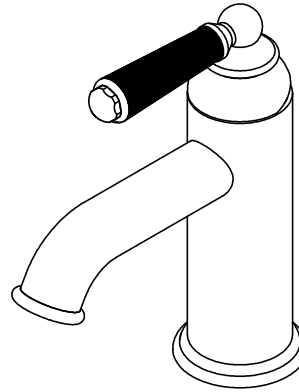
### Features

- 4-9/16" spout center to center
- Single handle operation cartridge with ceramic disc
- Flexible braided hoses for ease of installation
- $\phi$  1-1/4" all brass touch style pop up drain assembly
- Flush mount aerator insert
- 1.2 gpm (4.5 L/min) max flow rate
- Solid brass construction
- Over 30 finishes including 15 PVD finishes

### Codes/Standards

Product meets or exceeds the following:

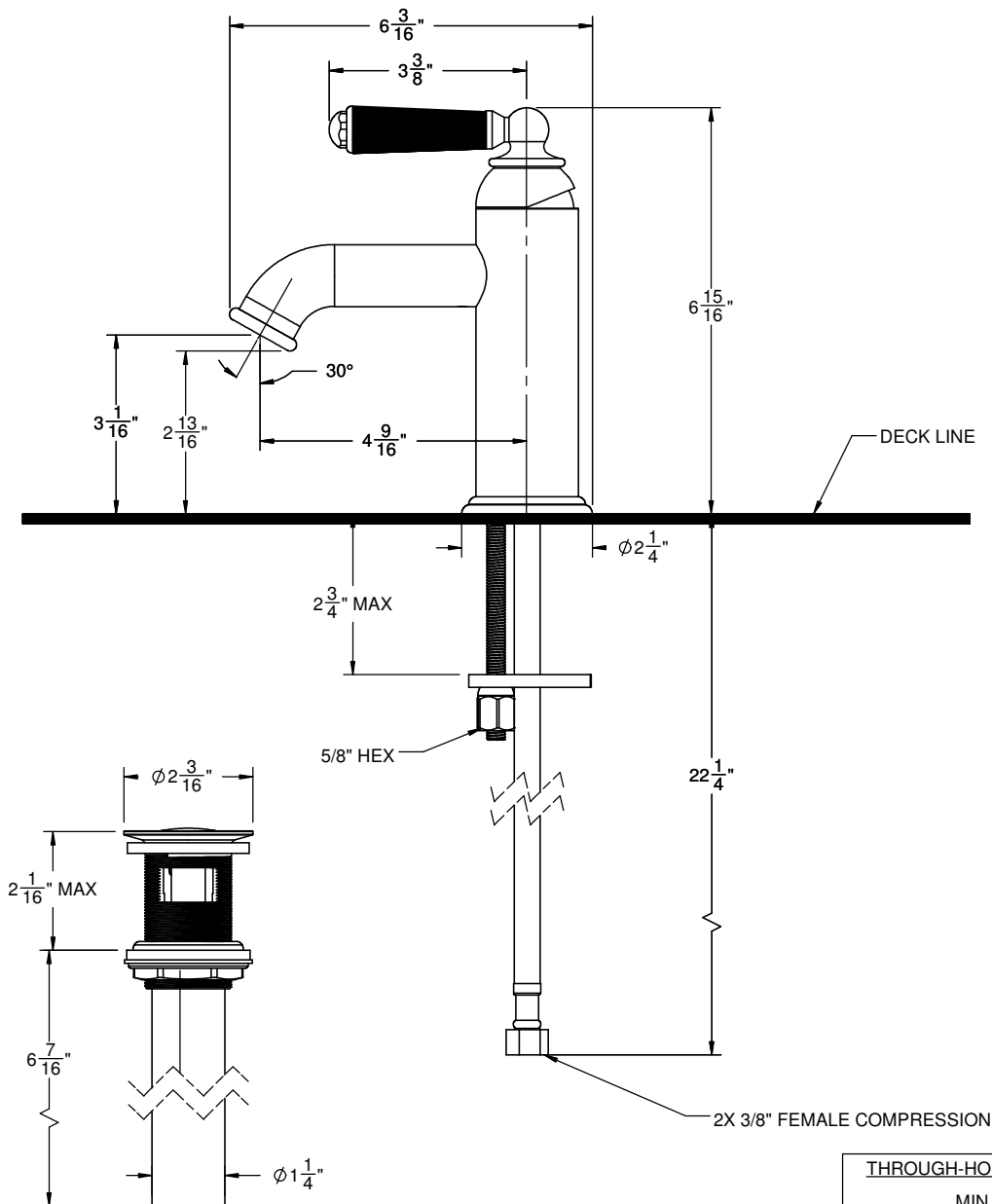
- ASME A112.18.1/CSA B125.1
- NSF/ANSI 61 & NSF/ANSI 372
- CEC
- EPA WaterSense High Efficiency Lavatory
- ADA compliant



### CF-3501-1



### CF-3501-1-HXX (XX = Optional Series Handle)



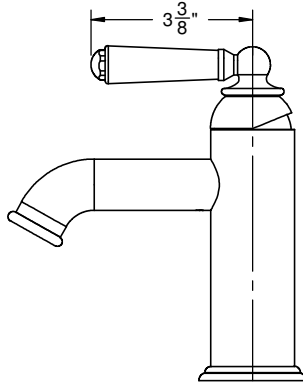
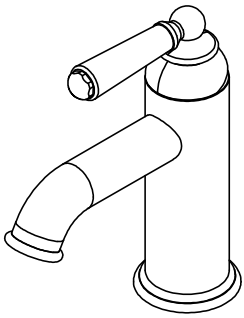
THROUGH-HOLE SPECIFICATIONS		
	MIN	RECOMMENDED
SPOUT:	$\phi$ 1-1/4"	$\phi$ 1-3/8"
DRAIN:	$\phi$ 1-1/2"	$\phi$ 1-3/4"

SPECIFICATIONS SUBJECT TO CHANGE WITHOUT NOTICE

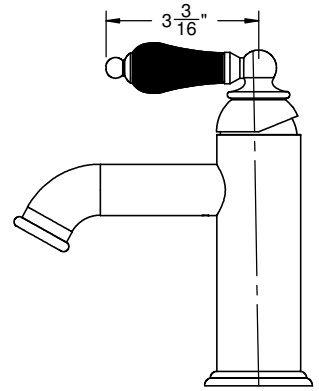
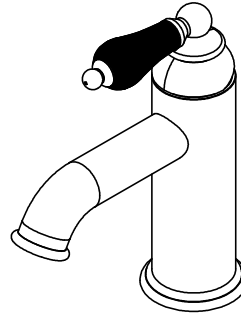
ALL DIMENSIONS SHOWN TO THE NEAREST 1/16"



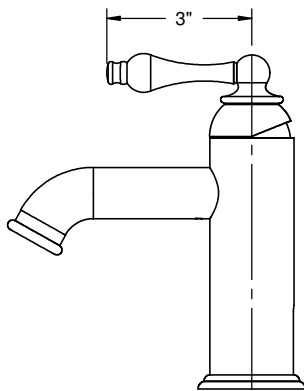
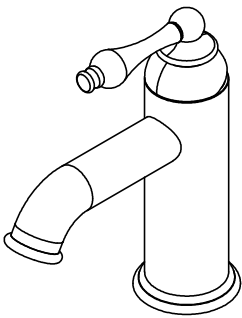
**CF-3501-1-H33**



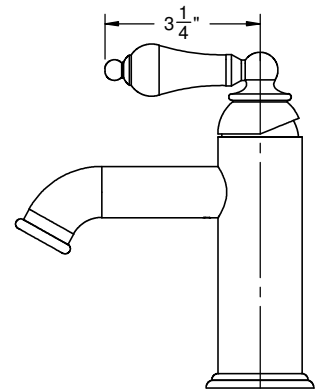
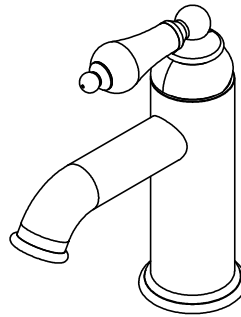
**CF-3501-1-H40**



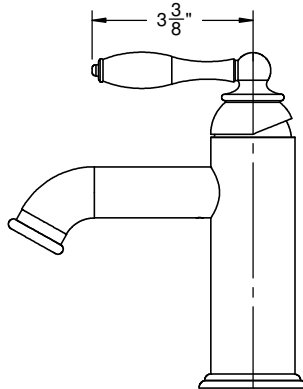
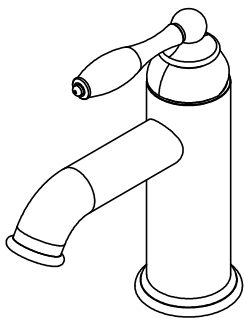
**CF-3501-1-H42**



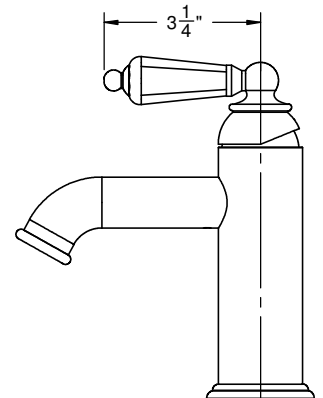
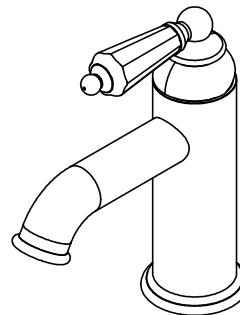
**CF3501-1-H55**



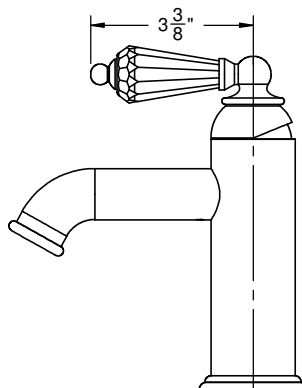
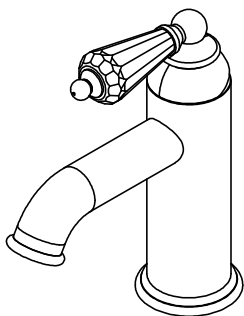
**CF-3501-1-H64**



**CF-3501-1-H68**



**CF-3501-1-CLEV**



Dimensions Shown to Nearest 1/16"