



California Faucets®

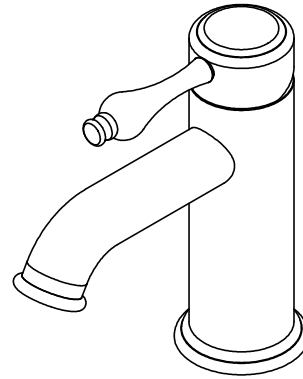
Huntington™

SINGLE HOLE LAVATORY FAUCET

CF-4201-1

Features

- 4-9/16" spout center to center
- Single handle operation cartridge with ceramic disc
- Flexible braided hoses for ease of installation
- ϕ 1-1/4" all brass lift rod style pop up drain assembly
- Flush mount aerator insert
- 1.2 gpm (4.5 L/min) max flow rate
- Solid brass construction
- Over 30 finishes including 15 PVD finishes

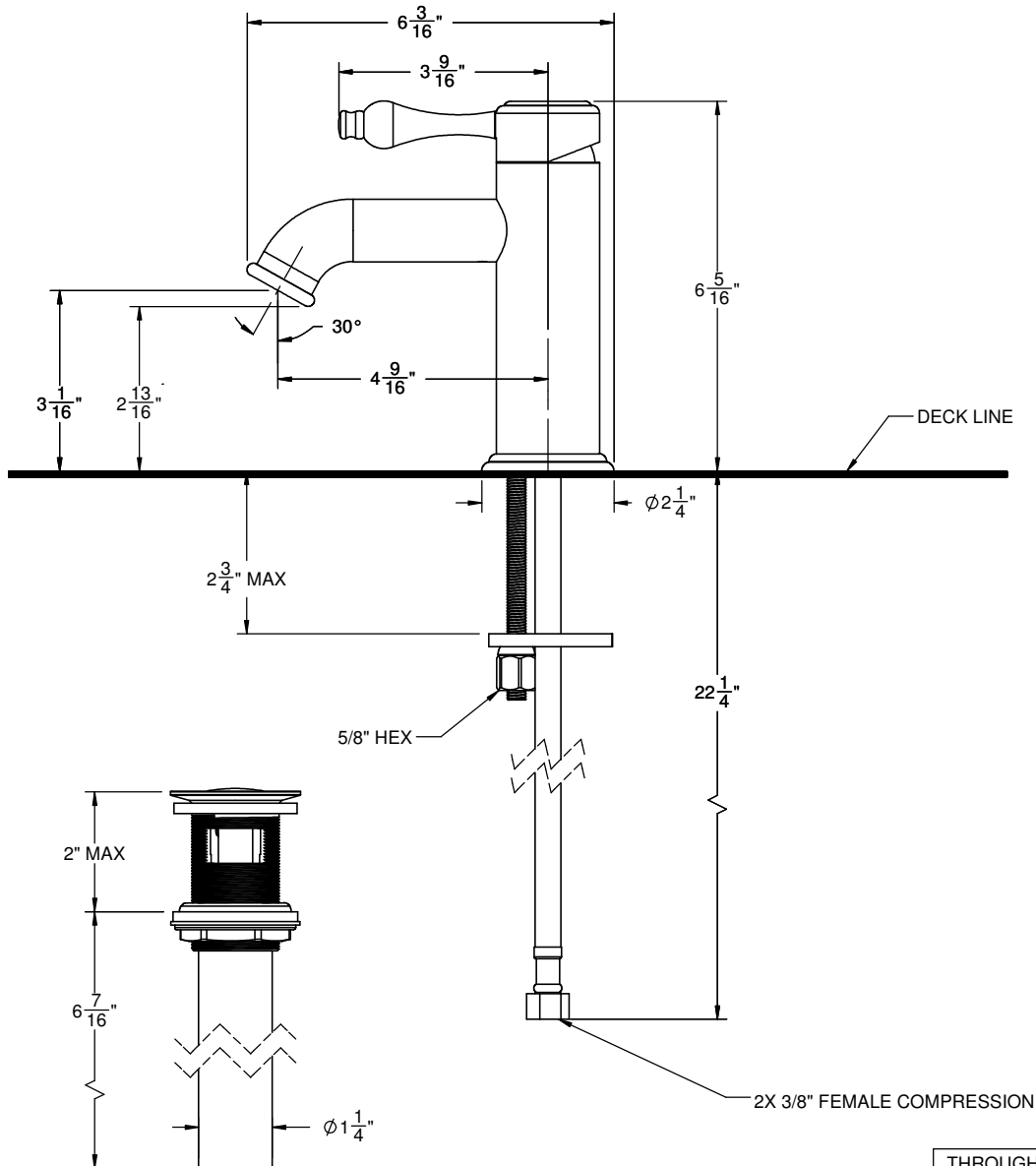


Codes/Standards

Product meets or exceeds the following:

- ASME A112.18.1/CSA B125.1
- NSF/ANSI 61 & NSF/ANSI 372
- CEC
- ADA compliant

CF-4201-1-HXX
(XX = Optional Series Handle)



THROUGH-HOLE SPECIFICATIONS		
	MIN	RECOMMENDED
SPOUT:	$\phi 1\text{-}1/4$ "	$\phi 1\text{-}3/8$ "
DRAIN:	$\phi 1\text{-}1/2$ "	$\phi 1\text{-}3/4$ "

ALL DIMENSIONS SHOWN TO THE NEAREST 1/16"

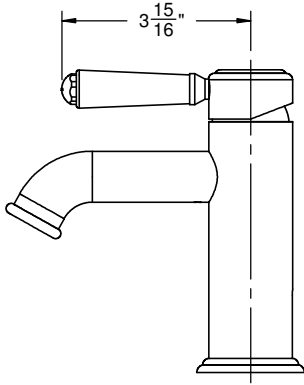
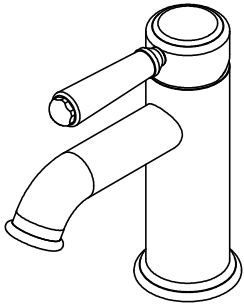


California Faucets®

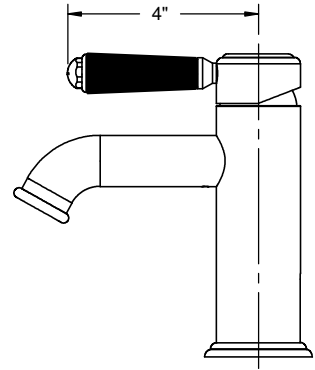
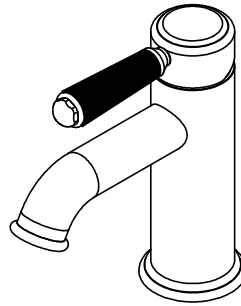
Huntington™

SINGLE HOLE LAVATORY FAUCET

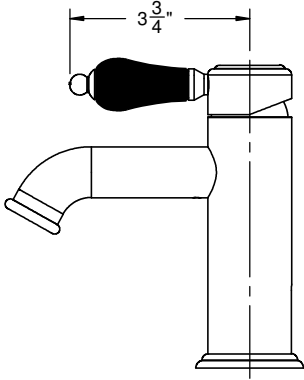
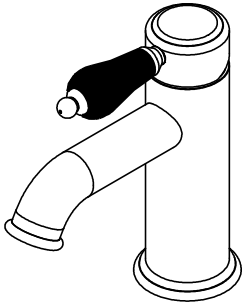
CF-4201-1-H33



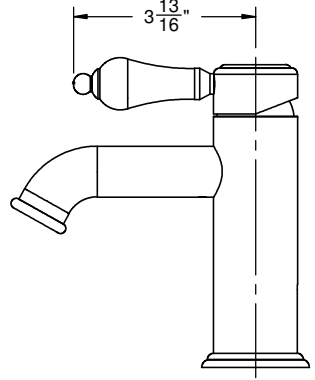
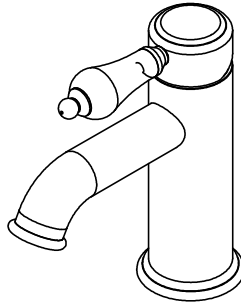
CF-4201-1-H35



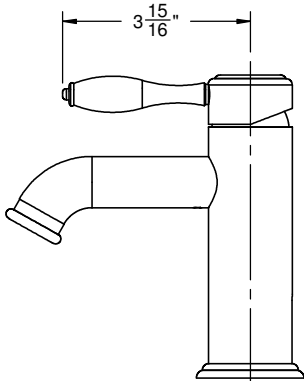
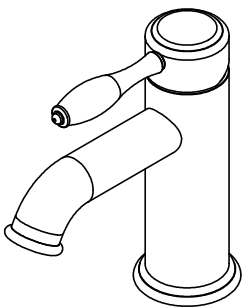
CF-4201-1-H40



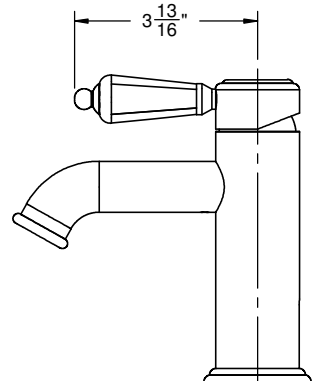
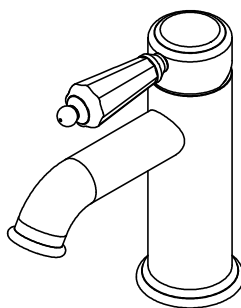
CF-4201-1-H55



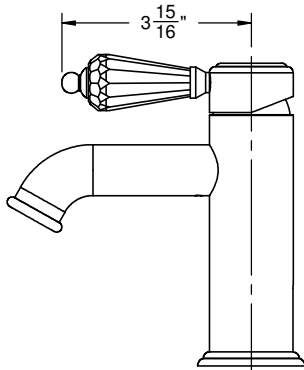
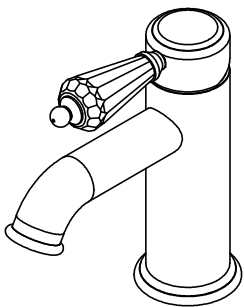
CF-4201-1-H64



CF-4201-1-H68



CF-4201-1-CLEV



Dimensions Shown to Nearest 1/16"